

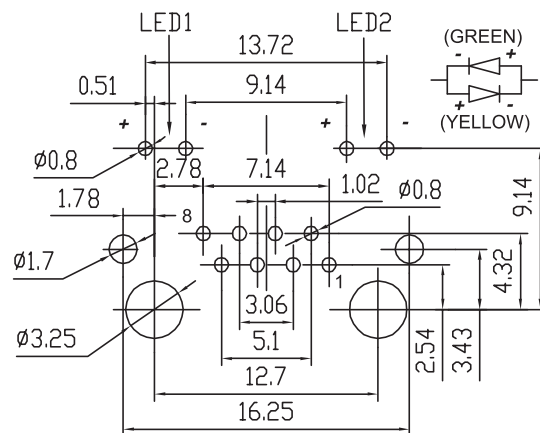
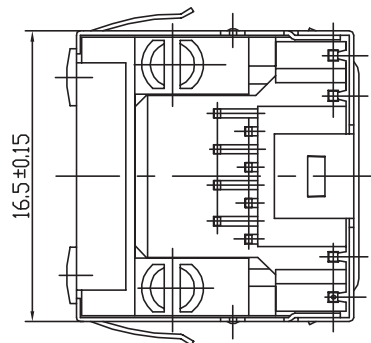
1

2

3

4

5



PCB LAYOUT - COMPONENT VIEW

TECHNICAL CHARACTERISTICS

MATERIAL
 INSULATOR MATERIAL: PBT
 FLAMMABILITY RATING: UL94-V0
 COLOR: BLACK
 CONTACT MATERIAL: COPPER ALLOY
 CONTACT TYPE: STAMPED
 CONTACT PLATING: SELECTIVE GOLD
 SHIELDING: BRONZE NI PLATED
 QUALITY CLASS: 500 MATING CYCLES

LED COLOR
 LED 1: BIPOLAR YELLOW/GREEN
 LED 2: BIPOLAR YELLOW/GREEN

ENVIRONMENTAL
 OPERATING TEMPERATURE: -40 °C UP TO 85 °C
 COMPLIANCE: LEAD FREE AND ROHS

ELECTRICAL
 CURRENT RATING: 1.5 A
 WORKING VOLTAGE: 120 VAC
 INSULATION RESISTANCE: >500 MΩ
 DIELECTRIC WITHSTANDING VOLTAGE: 1 000 VAC/MIN
 CONTACT RESISTANCE: 20 mΩ MAX

STANDARD
 CERTIFIED: E324776

SOLDERING
 JEDEC LEAD FREE WAVE SOLDERING PROCESS

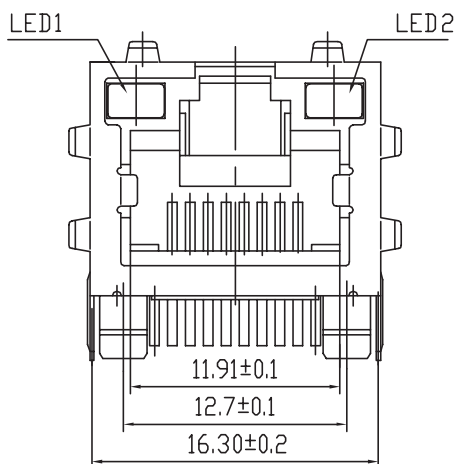
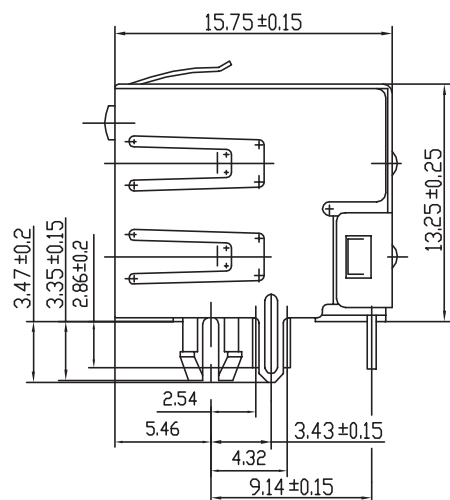
PACKAGING
 TRAY

A

B

C

D



RoHS Compliant

G			
F			
E	23-JUL-14	GENERAL UPDATE	AS
D	03-JAN-14	UL & TEMP UPDATE	QL
C	20-AUG-13	DIM UPDATE	QL
B	27-FEB-09	LED COLORS	JP
A	06-MAY-08	PDF	CH
REV	DATE	FILE	BY

PROJECTION:



APPROVAL: RJ

GENERAL TOLERANCE

.X = +/- 0.2

.XX = +/- 0.15

UNIT: MM

SCALE:

SHEET: 1/1

DRAW:



DESCRIPTION: HORIZONTAL SHIELDED WITH BIPOLAR LED AND EMI PANEL
 FINGER 8P8C MODULAR JACK TAB UP

WERI PART NO: 615 008 142 121

SIZE

A4