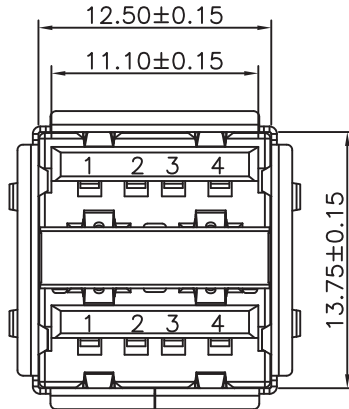


PCB LAYOUT - COMPONENT VIEW



TECHNICAL CHARACTERISTICS

MATERIAL  
 INSULATOR: PBT  
 FLAMMABILITY RATING: UL94-V0  
 COLOR: WHITE  
 CONTACT MATERIAL: COPPER ALLOY  
 CONTACT TYPE: STAMPED  
 CONTACT PLATING: SELECTIVE GOLD  
 SHIELDING: BRASS Ni PLATED  
 QUALITY CLASS: 1500 MATING CYCLES

ENVIRONMENTAL  
 OPERATING TEMPERATURE: -40 UP TO +105°C  
 COMPLIANCE: LEAD FREE AND ROHS

ELECTRICAL  
 CURRENT RATING: 1.5 A MAX  
 WORKING VOLTAGE: 30 VAC  
 INSULATOR RESISTANCE: >1000 MΩ  
 DIELECTRIC WITHSTANDING VOLTAGE: 750 VAC/MIN  
 CONTACT RESISTANCE: 20 mΩ MAX

STANDARD

CERTIFIED: E323964

SOLDERING  
 JEDEC LEAD FREE WAVE SOLDERING

PACKAGING  
 TRAY

RoHS Compliant

PROJECTION:



GENERAL TOLERANCE

.X = +/- 0.2  
 .XX = +/- 0.15



APPROVAL: NPr

UNIT: MM

SCALE:

SHEET: 1/1

DRAW: QL

DESCRIPTION: DUAL USB 2.0 TYPE A VERTICAL

WERI PART NO: 614 008 235 023

SIZE

**A4**

H	27-OCT-14	REVIEW	QL
REV	DATE	FILE	BY