

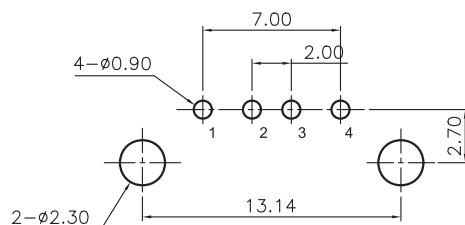
1

2

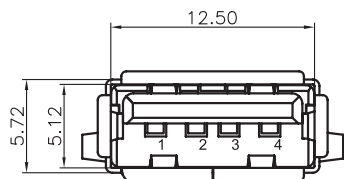
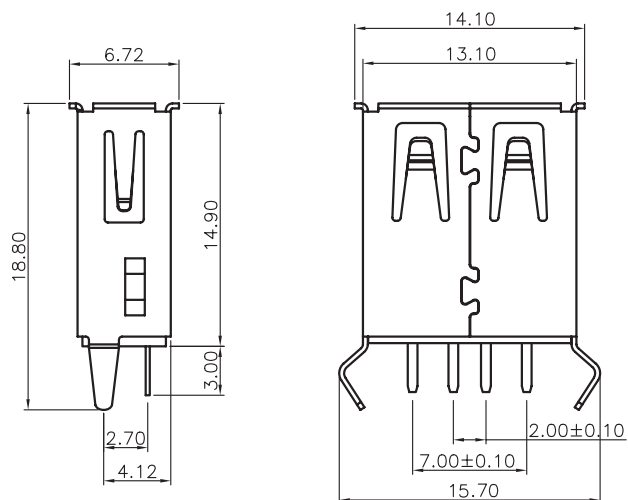
3

4

5



PCB LAYOUT - COMPONENT VIEW



TECHNICAL CHARACTERISTICS

MATERIAL
 INSULATOR: PBT
 FLAMMABILITY RATING: UL94-V0
 COLOR: WHITE
 CONTACT MATERIAL: COPPER ALLOY
 CONTACT TYPE: STAMPED
 CONTACT PLATING: SELECTIVE GOLD
 SHIELDING: BRASS Ni PLATED
 QUALITY CLASS: 1500 MATING CYCLES

ENVIRONMENTAL
 OPERATING TEMPERATURE: -40°C UP TO +105°C
 COMPLIANCE: LEAD FREE AND ROHS

ELECTRICAL
 CURRENT RATING: 1.5 A MAX
 WORKING VOLTAGE: 30 VAC
 INSULATOR RESISTANCE: >1000 MΩ
 DIELECTRIC WITHSTANDING VOLTAGE: 750 VAC/MIN
 CONTACT RESISTANCE: 20 mΩ MAX

STANDARD
 CERTIFIED: E323964

SOLDERING
 JEDEC LEAD FREE WAVE SOLDERING

PACKAGING
 TRAY

RoHS Compliant

PROJECTION:



GENERAL TOLERANCE

.X = +/- 0.2

.XX = +/- 0.15



APPROVAL: NPr

UNIT: MM

SCALE:

SHEET: 1/2




DRAW: QL

DESCRIPTION: USB 2.0 TYPE A VERTICAL

WERI PART NO: 614 004 135 023

SIZE

A4

RoHS Compliant				PROJECTION:	GENERAL TOLERANCE		DESCRIPTION: USB 2.0 TYPE A VERTICAL	SIZE					
L	27-OCT-14	REVIEW	QL		.X = +/- 0.2					DESCRIPTION: USB 2.0 TYPE A VERTICAL	SIZE		
K	12-AUG-13	UPDATE	QL		.XX = +/- 0.15								
J	15-FEB-13	DESIGNATION	AR		APPROVAL: NPr	UNIT: MM	DESCRIPTION: USB 2.0 TYPE A VERTICAL	SIZE					
I	19-DEC-11	DRAWING	GG		SCALE:	SCALE:							
H	08-NOV-11	CURRENT RATING	GG		SHEET: 1/2	SHEET: 1/2						DESCRIPTION: USB 2.0 TYPE A VERTICAL	SIZE
REV	DATE	FILE	BY		DRAW: QL	DRAW: QL							

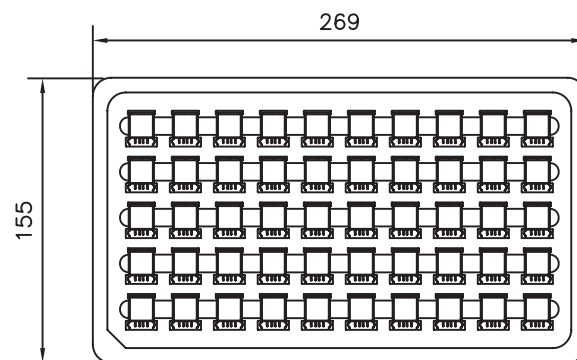
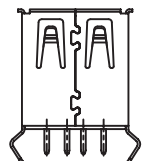
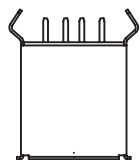
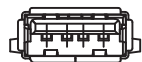
1

2

3

4

5



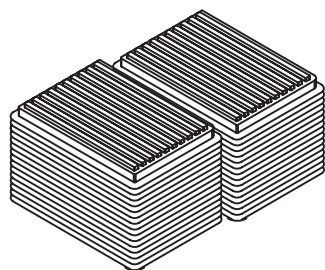
Note:

1.Dimension:

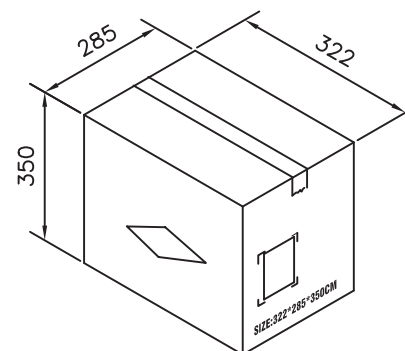
Tray Size: 269(L)X155(W)X8.0(H) (mm)

Carton Size:322X285X350(mm)

Pin.	Pcs/Tray	Tray/Carton	Pcs/Carton
04	50	70	3500



84 Trays



RoHS Compliant

PROJECTION:



GENERAL TOLERANCE

.X = ± 0.2 .XX = ± 0.15 

APPROVAL: NP

UNIT: MM

SCALE:

SHEET: 2/2

DRAW: QL

DESCRIPTION: USB TYPE A VERTICAL

WERI PART NO: 614 004 135 023

SIZE

A4

G			
F			
E			
D			
C			
B			
A			
REV	DATE	FILE	BY