

1

2

3

4


5

TECHNICAL CHARACTERISTICS

MATERIAL  
 INSULATOR: PBT  
 FLAMMABILITY RATING: UL94-V0  
 COLOR: WHITE  
 CONTACT MATERIAL: COPPER ALLOY  
 CONTACT TYPE: STAMPED  
 CONTACT PLATING: SELECTIVE GOLD  
 SHIELDING: BRASS Ni PLATED  
 QUALITY CLASS: 1500 MATING CYCLES

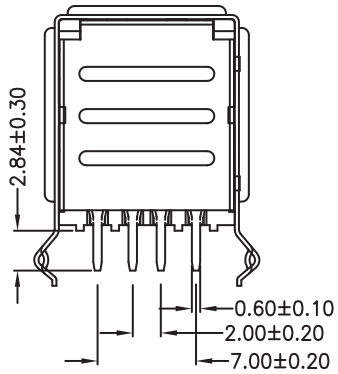
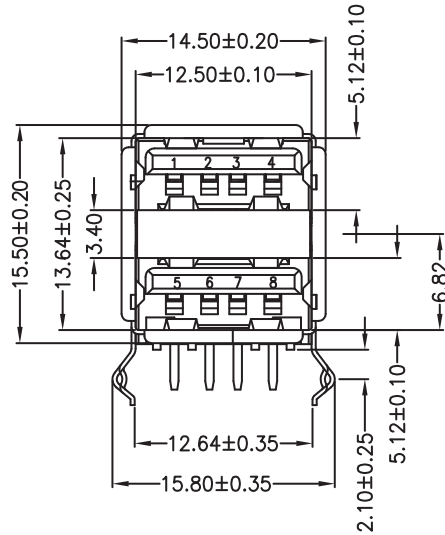
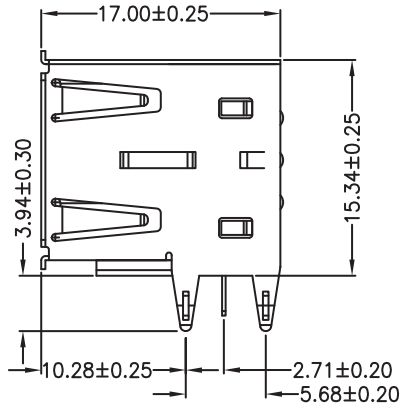
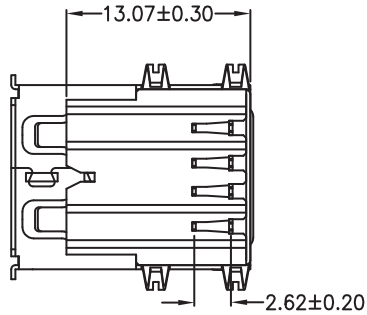
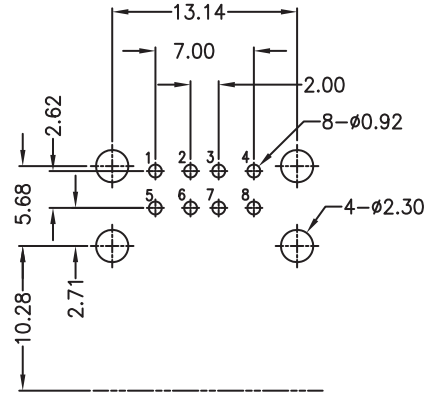
ENVIRONMENTAL  
 OPERATING TEMPERATURE: -40°C UP TO +105°C  
 COMPLIANCE: LEAD FREE AND ROHS

ELECTRICAL  
 CURRENT RATING: 1.5 A  
 WORKING VOLTAGE: 30 V  
 INSULATOR RESISTANCE: >1000 MΩ  
 DIELECTRIC WITHSTANDING VOLTAGE: 750 VAC/MIN  
 CONTACT RESISTANCE: 20 mΩ MAX

STANDARD  
 CERTIFIED: E323964

SOLDERING  
 JEDEC LEAD FREE WAVE SOLDERING

PACKAGING  
 TRAY



RoHS Compliant

PROJECTION:



GENERAL TOLERANCE

.X = +/- 0.2

.XX = +/- 0.15



APPROVAL: NPr

UNIT: MM

SCALE:

SHEET: 1/1

DRAW: NPr

DESCRIPTION: DUAL USB 2.0 TYPE A HORIZONTAL

WERI PART NO: 614 008 260 21

SIZE

A4

L	27-OCT-14	REVIEW	QL				
K	23-MAY-13	CURRENT RATING	QL				
J	15-FEV-13	DESIGNATION	AR				
I	25-SEP-12	DESCRIPTION	GG				
H	09-JAN-12	NEW DRAWING	GG				
REV	DATE	FILE	BY				