

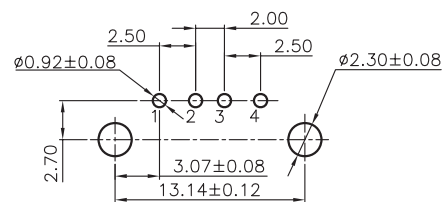
1

2

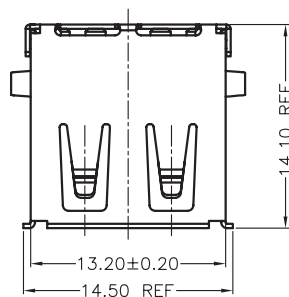
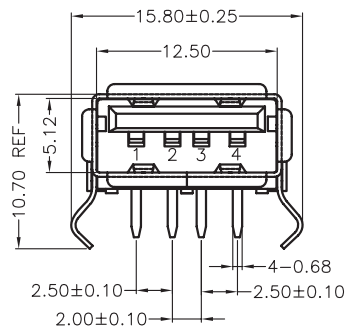
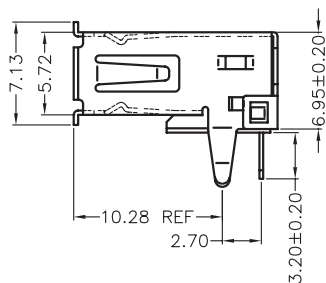
3

4

5



PCB LAYOUT - COMPONENT VIEW



## TECHNICAL CHARACTERISTICS

## MATERIAL

INSULATOR: PBT  
 FLAMMABILITY RATING: UL94-V0  
 COLOR: WHITE  
 CONTACT MATERIAL: COPPER ALLOY  
 CONTACT TYPE: STAMPED  
 CONTACT PLATING: SELECTIVE GOLD  
 SHIELDING: BRASS NI PLATED  
 QUALITY CLASS: 1500 MATING CYCLES

## ENVIRONMENTAL

OPERATING TEMPERATURE: -40°C UP TO +105°C  
 COMPLIANCE: LEAD FREE AND ROHS

## ELECTRICAL

CURRENT RATING: 1.5 A MAX  
 WORKING VOLTAGE: 30 VAC  
 INSULATOR RESISTANCE: >1000 MΩ  
 DIELECTRIC WITHSTANDING VOLTAGE: 750 VAC/MIN  
 CONTACT RESISTANCE: 20 mΩ MAX

## STANDARD

 CERTIFIED: E323964

## SOLDERING

JEDEC LEAD FREE WAVE SOLDERING

## PACKAGING

TRAY

RoHS Compliant

PROJECTION:



GENERAL TOLERANCE

.X = +/- 0.2

.XX = +/- 0.15



APPROVAL: NPr

UNIT: MM

SCALE:

SHEET: 1/2

DRAW: QL

DESCRIPTION: USB 2.0 FEMALE R/A A TYPE

WERI PART NO: 614 004 160 21

SIZE

A4

REV	DATE	FILE	BY
M	27-OCT-14	REVIEW	QL
L	29-AUG-13	AXEL MAKE UP	QL
K	24-JUL-13	DRAWING	QL
J	15-FEV-13	DESIGNATION	AR
I	08-NOV-11	CURRENT RATING	GG
H	03-OCT-11	UL	GG

REV	DATE	FILE	BY
M	27-OCT-14	REVIEW	QL
L	29-AUG-13	AXEL MAKE UP	QL
K	24-JUL-13	DRAWING	QL
J	15-FEV-13	DESIGNATION	AR
I	08-NOV-11	CURRENT RATING	GG
H	03-OCT-11	UL	GG

REV	DATE	FILE	BY
M	27-OCT-14	REVIEW	QL
L	29-AUG-13	AXEL MAKE UP	QL
K	24-JUL-13	DRAWING	QL
J	15-FEV-13	DESIGNATION	AR
I	08-NOV-11	CURRENT RATING	GG
H	03-OCT-11	UL	GG

REV	DATE	FILE	BY
M	27-OCT-14	REVIEW	QL
L	29-AUG-13	AXEL MAKE UP	QL
K	24-JUL-13	DRAWING	QL
J	15-FEV-13	DESIGNATION	AR
I	08-NOV-11	CURRENT RATING	GG
H	03-OCT-11	UL	GG

REV	DATE	FILE	BY
M	27-OCT-14	REVIEW	QL
L	29-AUG-13	AXEL MAKE UP	QL
K	24-JUL-13	DRAWING	QL
J	15-FEV-13	DESIGNATION	AR
I	08-NOV-11	CURRENT RATING	GG
H	03-OCT-11	UL	GG

REV	DATE	FILE	BY
M	27-OCT-14	REVIEW	QL
L	29-AUG-13	AXEL MAKE UP	QL
K	24-JUL-13	DRAWING	QL
J	15-FEV-13	DESIGNATION	AR
I	08-NOV-11	CURRENT RATING	GG
H	03-OCT-11	UL	GG

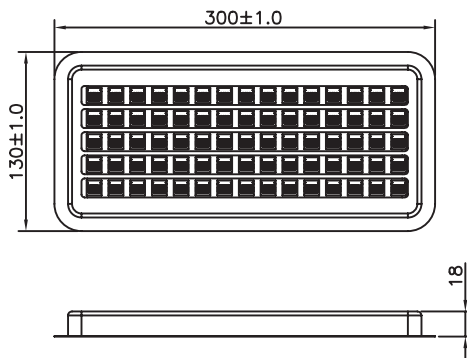
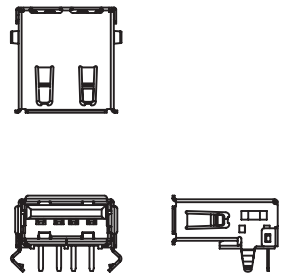
1

2

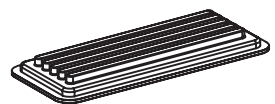
3

4

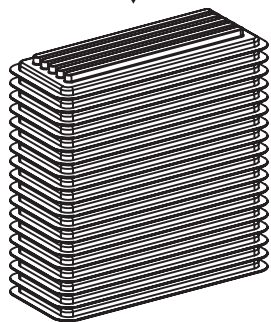
5



Note:  
 1.Dimension:  
 Tray Size: 300(L)X130(W)X18.0(H) (mm)  
 Carton Size:322X285X350 (mm)  
 2.Quqntity:  
 60pcs/Tray  
 44Tray/ Carton  
 Q'TY: 2640pcs  
 3.G.W: 7.12KG/Carton

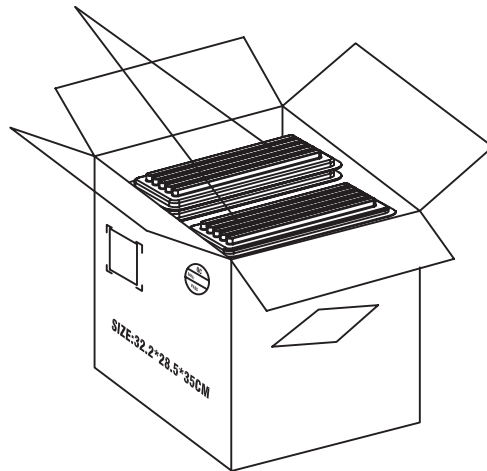


TRAY

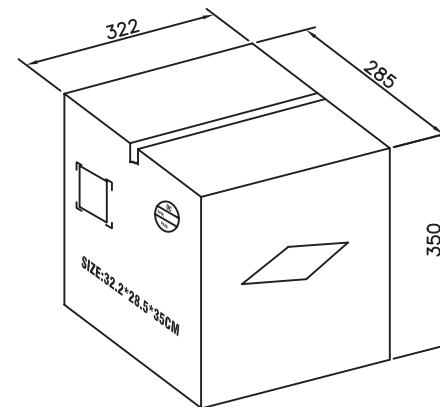


22 TRAYS

Two Row



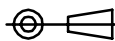
SIZE:32.2\*28.5\*35CM



CARTON

RoHS Compliant

PROJECTION:



GENERAL TOLERANCE

.X = +/- 0.2  
 .XX = +/- 0.15



APPROVAL: NP

UNIT: MM

DESCRIPTION: USB 2.0 FEMALE R/A A TYPE

SIZE

SCALE:

WERI PART NO: 614 004 160 21

A4

SHEET: 2/2

DRAW: QL

G			
F			
E			
D			
C			
B			
A			
REV	DATE	FILE	BY