

TECHNICAL CHARACTERISTICS

MATERIAL
 INSULATOR: PBT
 FLAMABILITY RATING: UL94-V0
 COLOR: BLACK
 CONTACT MATERIAL: COPPER ALLOY
 CONTACT TYPE: STAMPED
 CONTACT PLATING: SELECTIVE GOLD
 QUALITY CLASS: 3 AS PER CECC 75 301-802
 PITCH: 2.54MM

ENVIRONMENTAL
 OPERATING TEMPERATURE: -40 UP TO 125°C
 COMPLIANCE: LEAD FREE AND ROHS

ELECTRICAL
 CURRENT RATING: 1A MAX
 WORKING VOLTAGE: 250V AC
 INSULATOR RESISTANCE: >1000 MOHM
 DIELECTRIC WITHSTANDING VOLTAGE: 500V AC/MN
 CONTACT RESISTANCE: 20 MOHM MAX

STANDARD
 CERTIFIED: E323964 / MODEL NUMBER 612-223

SOLDERING
 WAVE PROCESS ONLY

PACKAGING
 TRAY

DIMENSION
 A = 2.54 x (NB. PIN / 2 - 1)
 B = 2.54 x (NB. PIN / 2) - 1.27
 C = 2.54 x (NB. PIN / 2) + 5.45

NOT VALID FOR THE 60p, SEE ANOTHER SPARATE SPEC FOR THE 60p

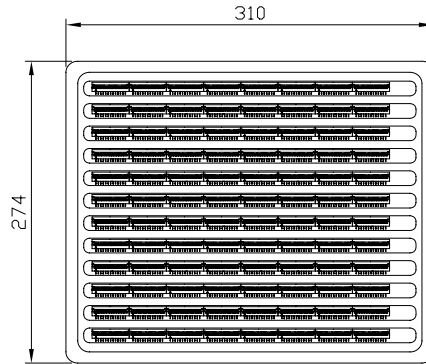
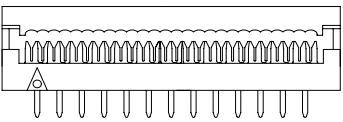
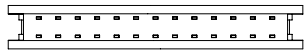
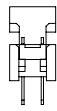
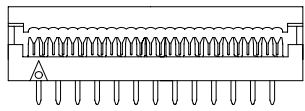
RoHS Compliant			
G			
F			
E	08-JUL-10	PACKAGING	JC
D	16-NOV-09	STANDARD	JP
C	10-JUL-08	INSET	RB
B	27-NOV-07	NEW PDF	EC
A	22-APR-04		
REV	DATE	FILE	BY

PROJECTION:	
APPROVAL: CH	

GENERAL TOLERANCE	
.X = +/- 0.2	
.XX = +/- 0.15	
UNIT: MM	
SCALE:	
SHEET: 1/2	
DRAW: PEARL	

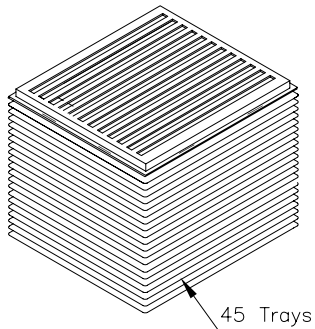
DESCRIPTION: 2.54MM BOARD TO CABLE TRANSITION CONNECTOR	
WERI PART NO: 6120 xx 22323	

SIZE	A4

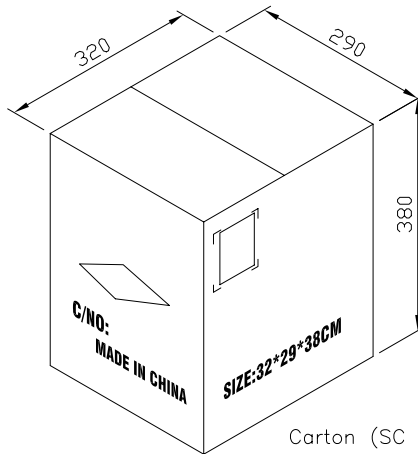


Note:
 1.Dimension:
 Tray Size:310(L)x274(W)x9(H) (mm)
 Tray No:902-4401
 Carton Size:320(L)x290(W)x380(H) (mm)

Pin.	Pcs/Tray	Tray/Carton	Pcs/Carton	Pin.	Pcs/Tray	Tray/Carton	Pcs/Carton
6	252	45	11340	26	84	45	3780
8	216	45	9720	30	72	45	3240
10	180	45	8100	34	60	45	2700
12	156	45	7020	36	60	45	2700
14	144	45	6480	40	60	45	2700
16	120	45	5400	50	48	45	2160
18	120	45	5400	60	36	45	1620
20	108	45	4860	64	36	45	1620
24	84	45	3780				

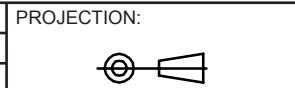


45 Trays



Carton (SC 15:1)

RoHS Compliant			
G			
F			
E			
D			
C			
B			
A			
REV	DATE	FILE	BY



APPROVAL: RJ

GENERAL TOLERANCE
 .X = +/- 0.2
 .XX = +/- 0.15

UNIT: MM
 SCALE:
 SHEET: 2/2
 DRAW: PEARL



DESCRIPTION: 2.54MM BOARD TO CABLE TRANSITION CONNECTOR
 WERI PART NO: 6120 xx 22323

SIZE
A4

A

B

C

D