

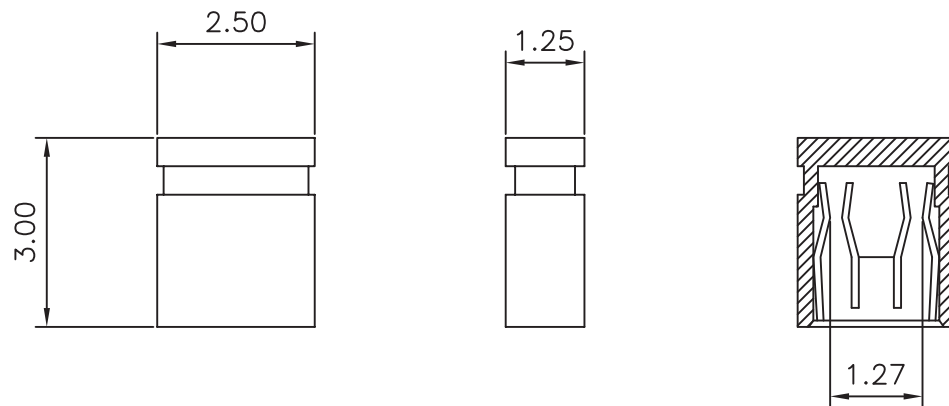
1

2

3

4

5



TECHNICAL CHARACTERISTICS

MATERIAL
 INSULATOR: PA 66
 FLAMABILITY RATING: UL94-V2
 COLOR: BLACK
 CONTACT MATERIAL: COPPER ALLOY
 CONTACT TYPE: STAMPED
 CONTACT PLATING: GOLD
 QUALITY CLASS: 3 AS PER CECC 75 301-802
 PITCH: 1.27MM

ENVIRONMENTAL
 OPERATING TEMPERATURE: -40 UP TO 125°C
 COMPLIANCE: LEAD FREE AND ROHS

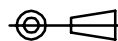
ELECTRICAL
 CURRENT RATING: 1A
 WORKING VOLTAGE: 250V AC
 INSULATOR RESISTANCE: >1000 MOHM
 DIELECTRIC WITHSTANDING VOLTAGE: 650V AC/MN
 CONTACT RESISTANCE: 30 mOHM MAX

PACKAGING
 BAG

NOTE
 BECAUSE OF PLASTIC THICKNESS, SEVERAL JUMPERS
 CAN NOT BE STACKED TOGETHER

RoHS Compliant

PROJECTION:



GENERAL TOLERANCE

.X = ± 0.2

.XX = ± 0.15



APPROVAL: RJ

UNIT: MM

DESCRIPTION: 1.27MM JUMPER

SIZE

SCALE:

WERI PART NO: 622 002 134 21

A4

SHEET: 1/1

DRAW: CEL KING

G					<p>UNIT: MM</p> <p>SCALE:</p> <p>SHEET: 1/1</p> <p>DRAW: CEL KING</p>	<p>DESCRIPTION: 1.27MM JUMPER</p> <p>WERI PART NO: 622 002 134 21</p>	<p>SIZE</p> <p>A4</p>
F							
E							
D							
C	09-SEP-10	UL	GG	APPROVAL: RJ			
B	20-MAY-09	NOTE	JP				
A	17-DEC-07	PDF	CH				
REV	DATE	FILE	BY				