

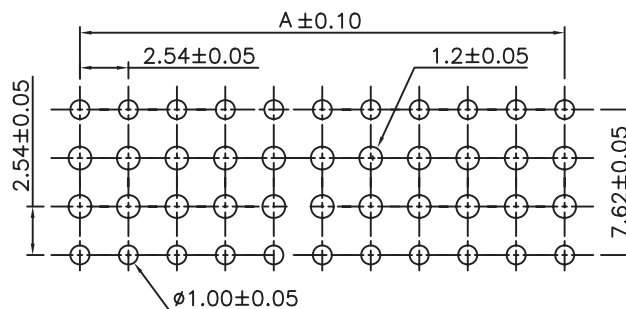
1

2

3

4

5



PCB LAYOUT - COMPONENT VIEW

TECHNICAL CHARACTERISTICS

MATERIAL
 INSULATOR: PA 46
 FLAMABILITY RATING: UL94-V0
 COLOR: BLACK
 CONTACT MATERIAL: COPPER ALLOY
 CONTACT TYPE: STAMPED
 CONTACT PLATING: GOLD
 QUALITY CLASS: 3 AS PER CECC 75 301-802
 PITCH: 2.54MM

ENVIRONMENTAL
 OPERATING TEMPERATURE: -40 UP TO 125°C
 COMPLIANCE: LEAD FREE AND ROHS

ELECTRICAL
 CURRENT RATING: 3A
 WORKING VOLTAGE: 250V AC
 INSULATOR RESISTANCE: >1000 MOHM
 DIELECTRIC WITHSTANDING VOLTAGE: 500V AC/MN
 CONTACT RESISTANCE: 20 mOHM MAX

STANDARD
 CERTIFIED: E323964 / MODEL NUMBER 613-BOT

SOLDERING
 JEDEC LEAD FREE WAVE SOLDERING PROCESS

PACKAGING
 TUBE

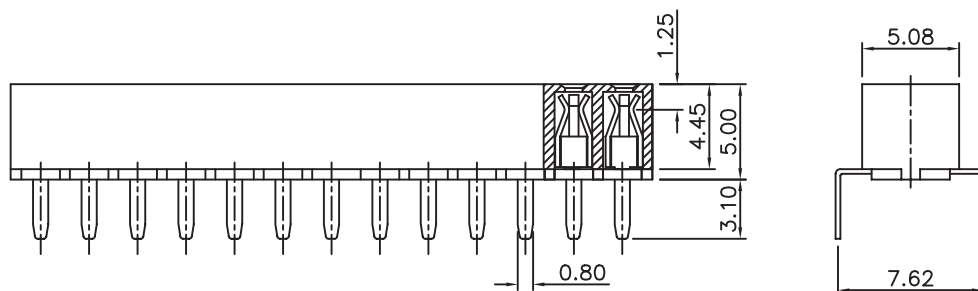
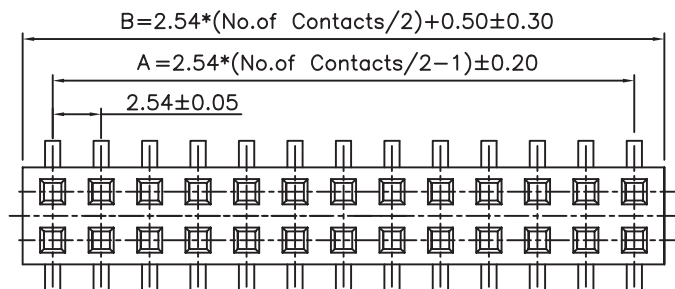
DIMENSION
 A = 2.54 x (NB. PIN / 2 - 1)
 B = 2.54 x (NB. PIN / 2) + 0.50

A

B

C

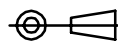
D



RoHS Compliant

G	19-FEB-14	SOLDERING	QL
F	25-NOV-09	STANDARD	JP
E	28-OCT-09	NEW DRAW	JP
D	23-AVR-09	PACKAGING	JC
C	23-NOV-07	MODIFICATIONS	EC
B	11-DEC-06	DRAW	EC
A	16-MAR-06	PDF	JP
REV	DATE	FILE	BY

PROJECTION:



APPROVAL: RJ

GENERAL TOLERANCE

.X = +/- 0.2

.XX = +/- 0.15



UNIT: MM

SCALE:

SHEET: 1/2

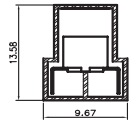
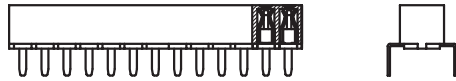
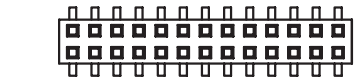
DRAW: PEARL

DESCRIPTION: 2.54MM DUAL S. HEADER BOTTOM ENTRY LARGE

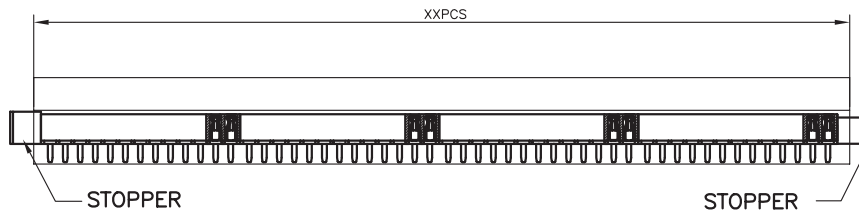
WERI PART NO: 613 0xx 216 921

SIZE

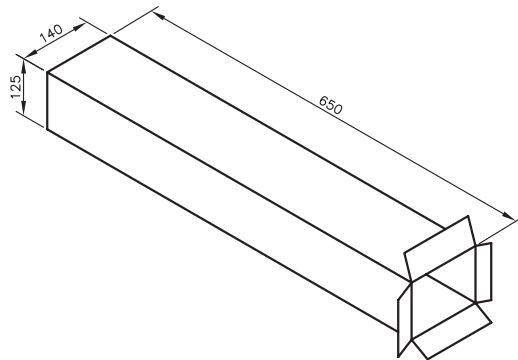
A4



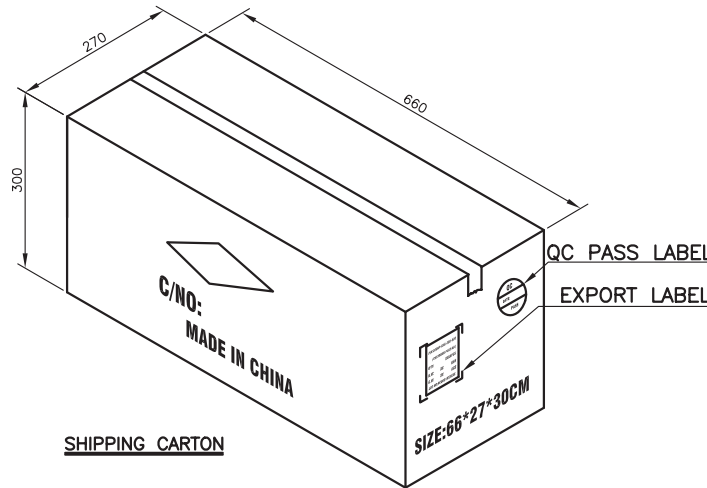
Section:A-A



TUBE LAYOUT



INNER CARTON



SHIPPING CARTON

NOTE:

1.Dimesion

Tube Size:635(L)X9.67(W)X13.58(H) (mm)
 Inner Carton Size:650(L)X140(W)X125(H) (mm)
 Carton Size:660(L)X270(W)X300(H) (mm)

2.Quantity:

128 Tube/Inner Carton
 4 Inner Carton/Carton

Pin.	Pcs/Tube	Tube/Inner Carton	Pcs/Inner Carton	Pcs/Carton
4	108	128	13824	55296
6	74	128	9472	37888
8	57	128	7296	29184
10	46	128	5888	23552
12	38	128	4864	19456
14	33	128	4224	16896
16	29	128	3712	14848
18	26	128	3328	13312
20	23	128	2944	11776
22	21	128	2688	10752
24	19	128	2432	9728
26	18	128	2304	9216
28	17	128	2176	8704
30	15	128	1920	7680
32	14	128	1792	7168
34	14	128	1792	7168
36	13	128	1664	6656
38	12	128	1536	6144
40	11	128	1408	5632
42	11	128	1408	5632
44	10	128	1280	5120
46	10	128	1280	5120
48	9	128	1152	4608
50	9	128	1152	4608
52	9	128	1152	4608
54	8	128	1024	4096
56	8	128	1024	4096
58	8	128	1024	4096
60	8	128	1024	4096
62	7	128	896	3584
64	7	128	896	3584
66	7	128	896	3584
68	7	128	896	3584
70	6	128	768	3072
72	6	128	768	3072
74	6	128	768	3072
76	6	128	768	3072
78	6	128	768	3072
80	6	128	768	3072

RoHS Compliant			
G			
F			
E			
D			
C			
B			
A			
REV	DATE	FILE	BY

PROJECTION:	GENERAL TOLERANCE
	.X = +/- 0.2
	.XX = +/- 0.15
APPROVAL: RJ	UNIT: MM
	SCALE:
	SHEET: 2/2
	DRAW: PEARL

DESCRIPTION: 2.54MM DUAL S. HEADER BOTTOM ENTRY LARGE
WERI PART NO: 6130 xx 216921_TPK

SIZE
A4