

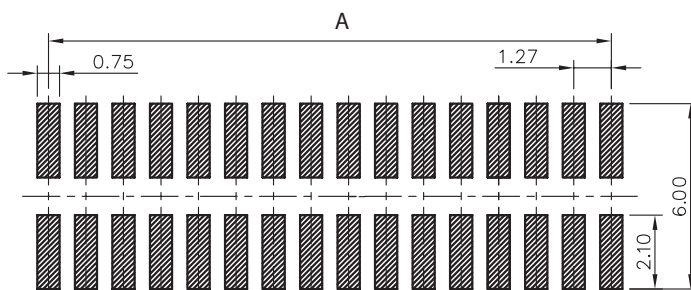
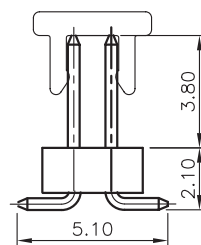
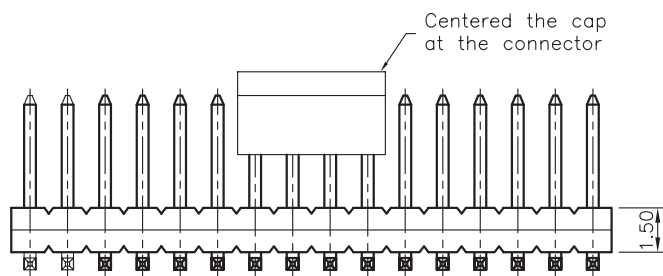
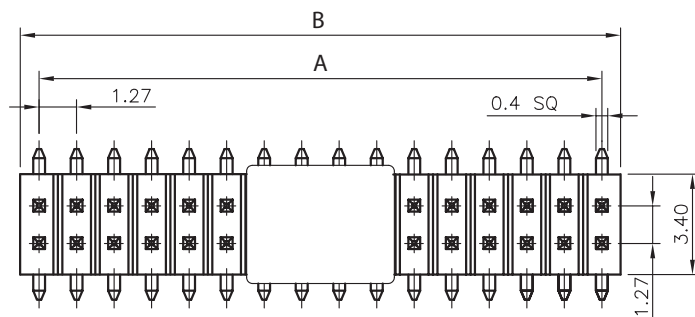
1

2

3

4

5



PCB LAYOUT - COMPONENT VIEW

## TECHNICAL CHARACTERISTICS

MATERIAL  
 INSULATOR: NYLON 6T  
 FLAMABILITY RATING: UL94-V0  
 COLOR: BLACK  
 CONTACT MATERIAL: COPPER ALLOY  
 CONTACT TYPE: STAMPED  
 CONTACT PLATING: GOLD  
 QUALITY CLASS: 3 AS PER CECC 75 301-802  
 PITCH: 1.27MM

ENVIRONMENTAL  
 OPERATING TEMPERATURE: -25 UP TO 105°C  
 COMPLIANCE: LEAD FREE AND ROHS

ELECTRICAL  
 CURRENT RATING: 1A MAX  
 WORKING VOLTAGE: 50V AC  
 INSULATOR RESISTANCE: >1000 MOHM  
 DIELECTRIC WITHSTANDING VOLTAGE: 500V AC/MN  
 CONTACT RESISTANCE: 20 mOHM MAX

SOLDERING  
 REFLOW PROCESS ONLY

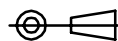
PACKAGING  
 TAPE AND REEL WITH PAD

DIMENSION  
 A = 1.27 x (NB. PIN / 2) - 1  
 B = 1.27 x NB. PIN / 2

RoHS Compliant

G			
F			
E	16-JUL-14	PACKAGING	AS
D	14-APR-14	PACKAGING	QL
C	29-AUG-12	LAYOUT	GG
B	21-APR-09	LAYOUT & PKG	JP
A	11-DEC-07	PDF	EC
REV	DATE	FILE	BY

PROJECTION:



APPROVAL: RJ

GENERAL TOLERANCE

.X = +/- 0.2

.XX = +/- 0.15



UNIT: MM

SCALE:

SHEET: 1/2

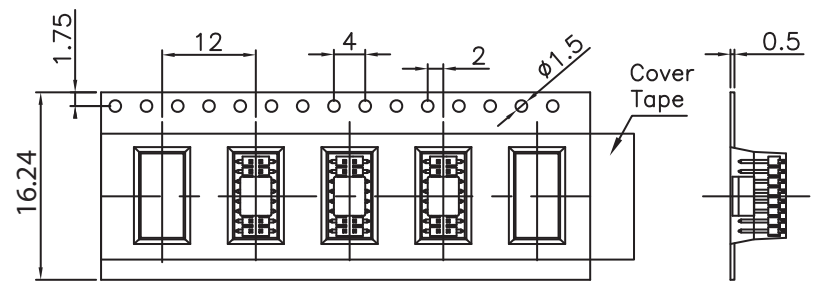
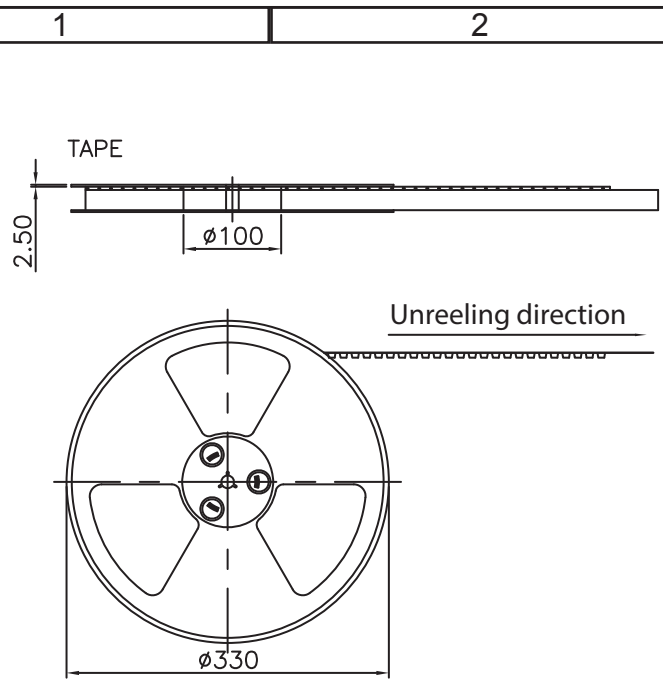
DRAW: MIKE

DESCRIPTION: 1.27MM DUAL SMT PIN HEADER H=3.80MM

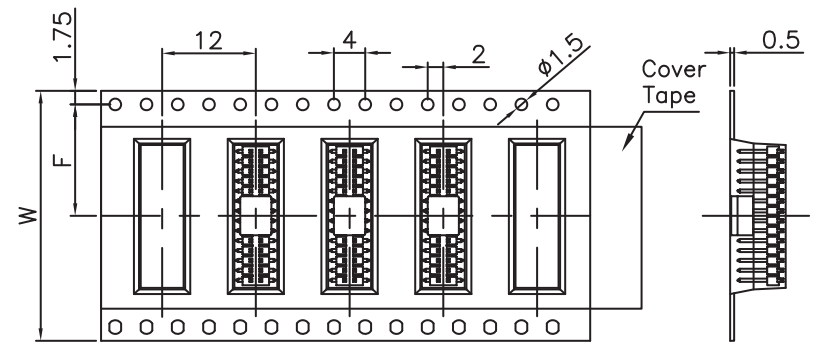
WERI PART NO: 621 3xx 210 21

SIZE

A4



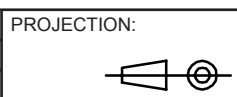
For Reel width (dimension W) 16,24mm Single row hole



W=32, 44, 56 or 72mm

Pin No	W	F	PCS/R	R/CTN	Q'TY
04-10	16	7.5	700	12	8400
12-20	24	11.5	700	9	6300
22-32	32	14.2	700	7	4900
34-50	44	20.2	700	5	3500
52-68	56	26.2	700	4	2800
70-80	72	34.2	700	3	2100

RoHS Compliant			
G			
F			
E			
D			
C			
B			
A	14-JUL-14	PDF	AS
REV	DATE	FILE	BY



GENERAL TOLERANCE  
.X = +/- 0.2  
.XX = +/- 0.15



APPROVAL: RJ

UNIT: MM  
SCALE:  
SHEET: 1/1  
DRAW: AS

DESCRIPTION: 1.27MM DUAL SMT PIN HEADER H=3.80MM  
WERI PART NO: 621 3xx 210 21

SIZE  
**A4**