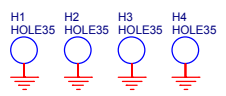
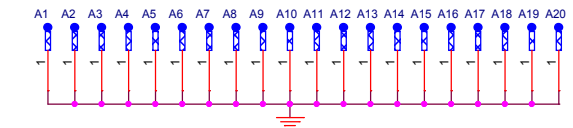
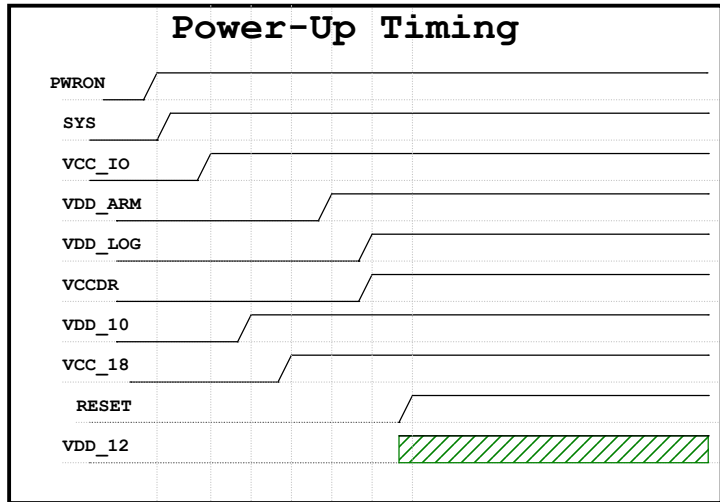


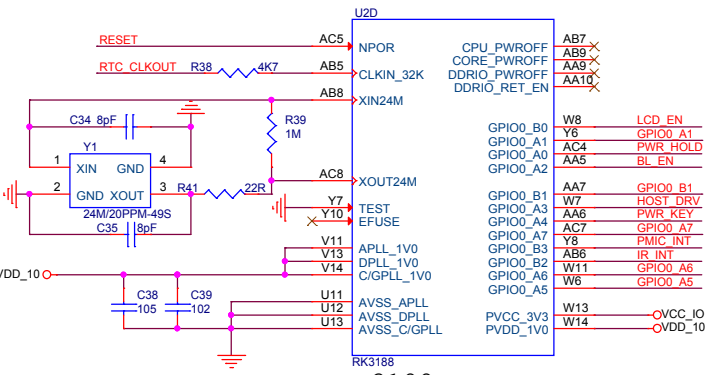
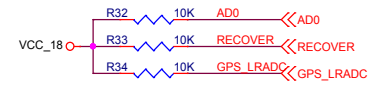
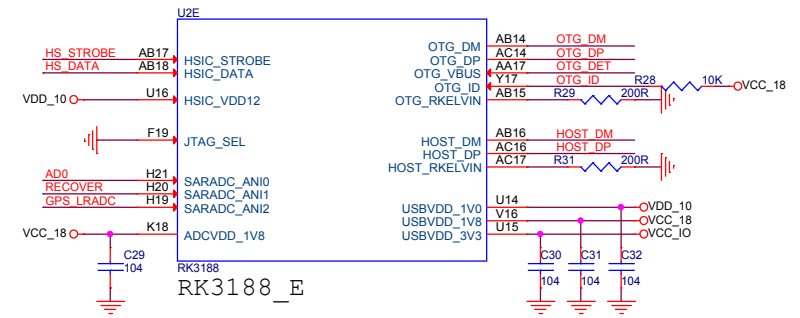
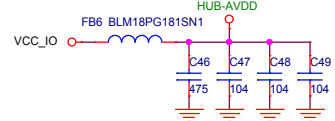
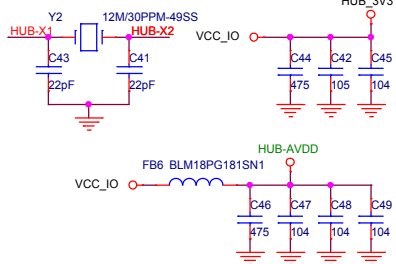
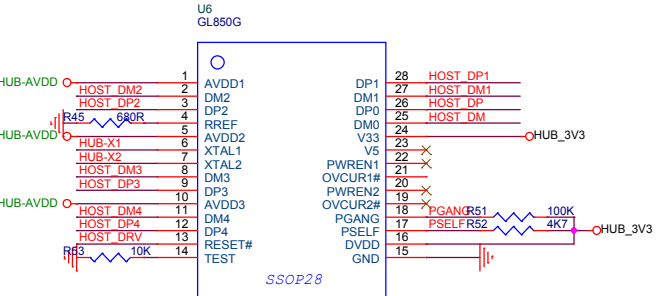
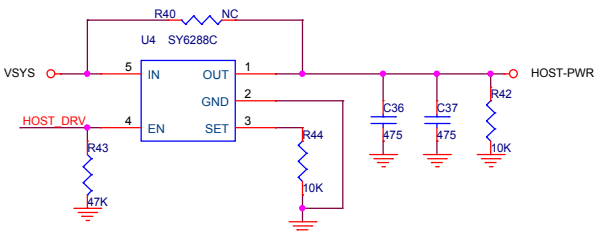
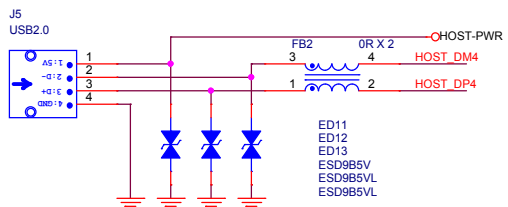
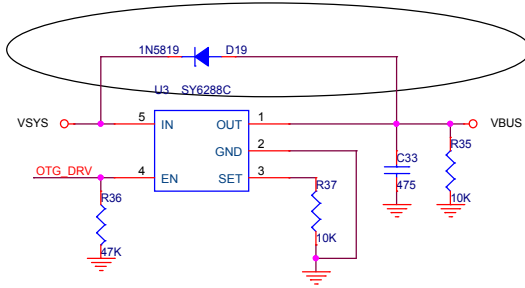
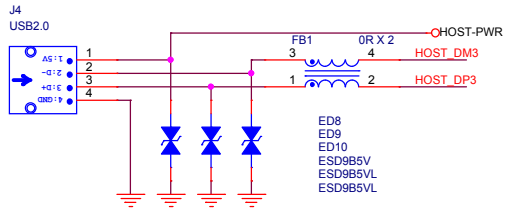
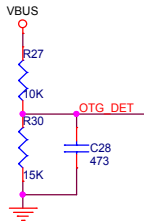
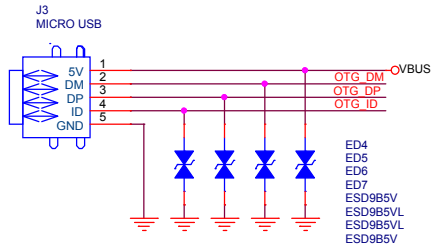
SYSTEM POWER

ACT8846

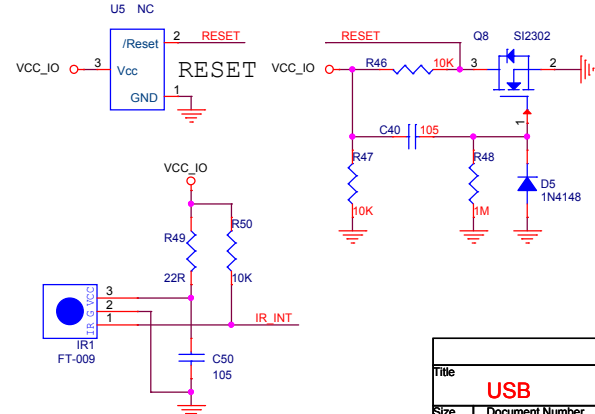


- RTC\_INT <<> RTC\_INT 6
- RTC\_CLKOUT <<> RTC\_CLKOUT 3,6
- PMIC\_INT <<> PMIC\_INT 3
- LED\_Sleep <<> LED\_Sleep 6
- POWER\_SW <<> POWER\_SW 6
- PWR\_EN <<> PWR\_EN 6
- AVDD\_COM <<> AVDD\_COM 6
- PWR\_HOLD <<> PWR\_HOLD 3
- PWR\_KEY <<> PWR\_KEY 3
- DVS0\_CTL <<> DVS0\_CTL 6
- I2C1\_SDA <<> I2C1\_SDA 6
- I2C1\_SCL <<> I2C1\_SCL 6

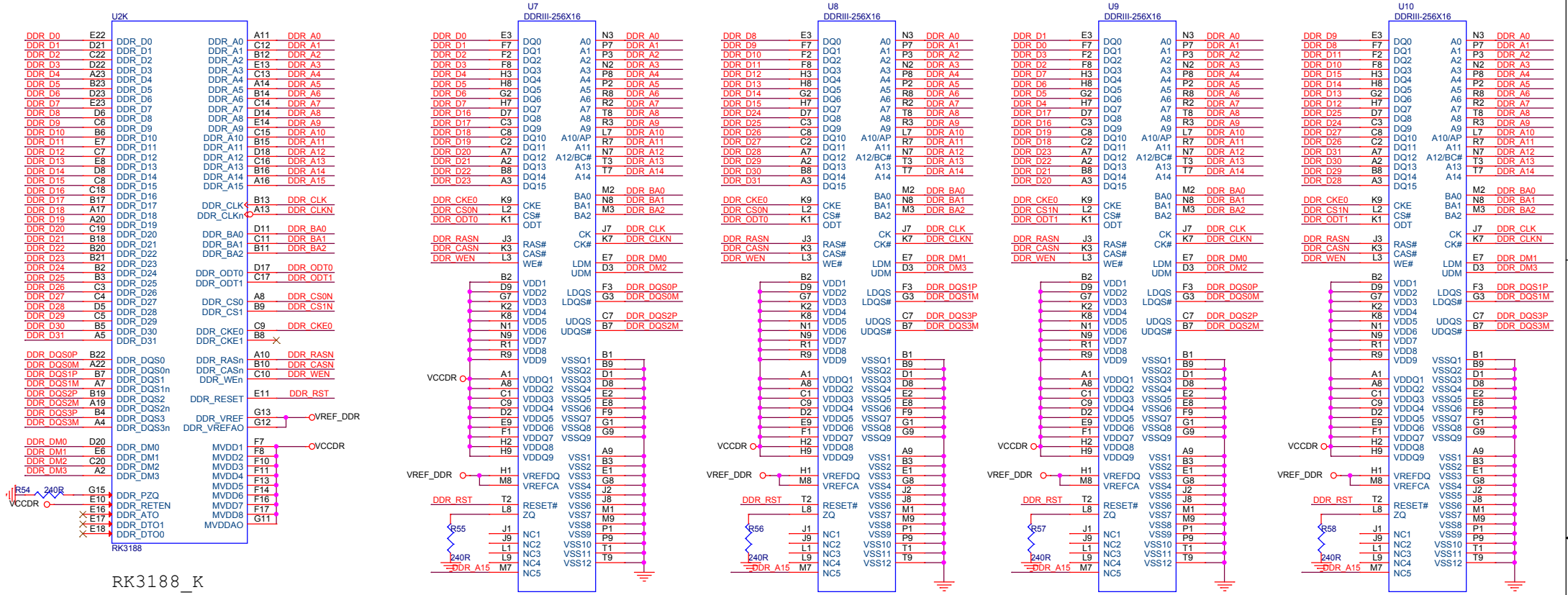
Title		
POWER		
Size	Document Number	Rev
A3	RADXA ROCK	0.2
Date:	Tuesday, October 22, 2013	Sheet 2 of 9



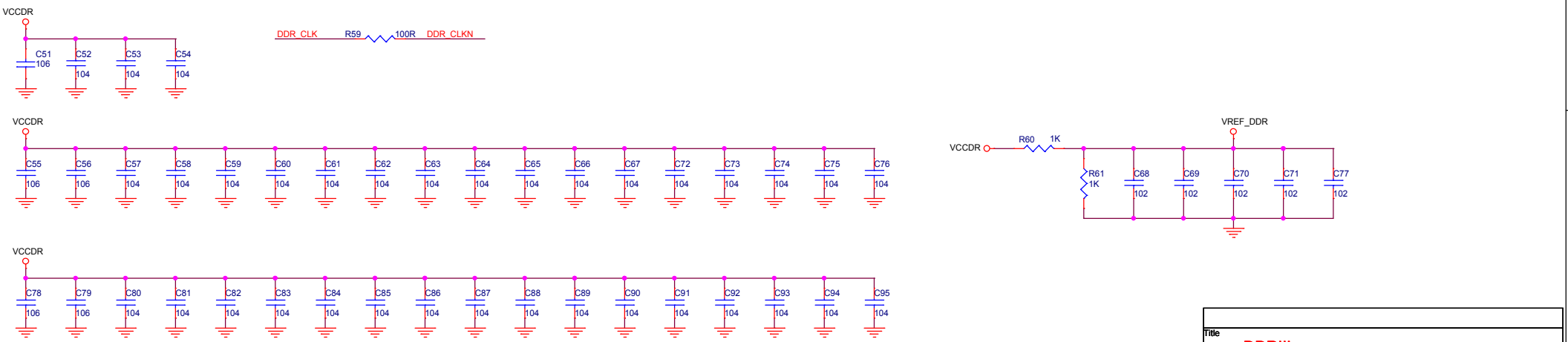
- OTG\_DRV >>> OTG\_DRV 6
- HS\_STROBE >>> HS\_STROBE 6
- HS\_DATA >>> HS\_DATA 6
- GPIO0\_A1 >>> GPIO0\_A1 6
- GPIO0\_B1 >>> GPIO0\_B1 6
- GPIO0\_A7 >>> GPIO0\_A7 6
- GPIO0\_A6 >>> GPIO0\_A6 6
- GPIO0\_A5 >>> GPIO0\_A5 6
- RTC\_CLKOUT <<< RTC\_CLKOUT 2,6
- PMIC\_INT <<< PMIC\_INT 2
- PWR\_KEY <<< PWR\_KEY 2
- LCD\_EN <<< LCD\_EN 8
- BL\_EN <<< BL\_EN 8
- PWR\_HOLD <<< PWR\_HOLD 2
- HOST\_DM1 <<< HOST\_DM1 5
- HOST\_DP1 <<< HOST\_DP1 5
- HOST\_DM2 <<< HOST\_DM2 5
- HOST\_DP2 <<< HOST\_DP2 6



Title		
<b>USB</b>		
Size	Document Number	Rev
A3	<b>RADXA ROCK</b>	0.2
Date:	Tuesday, October 22, 2013	Sheet 3 of 9

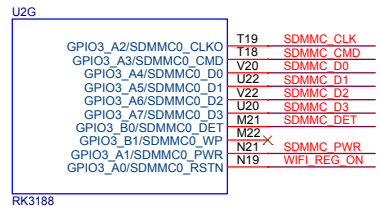
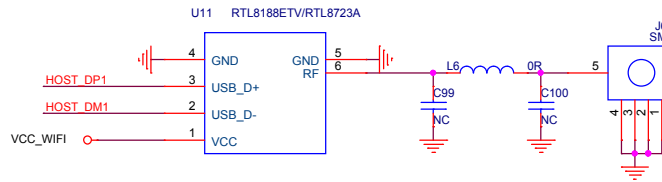
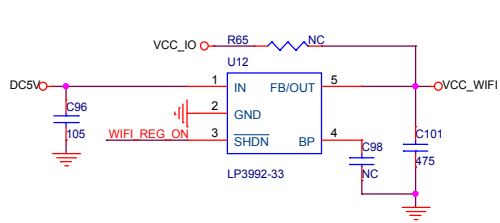


RK3188\_K



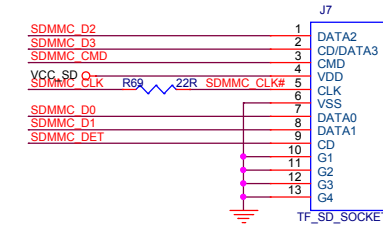
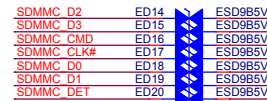
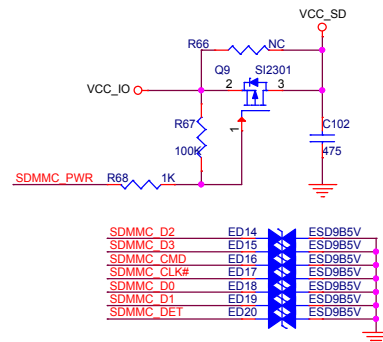
DDR FILTER

Title		
<b>DDRIII</b>		
Size	Document Number	Rev
A3	<b>RADXA ROCK</b>	0.2
Date:	Tuesday, October 22, 2013	Sheet 4 of 9

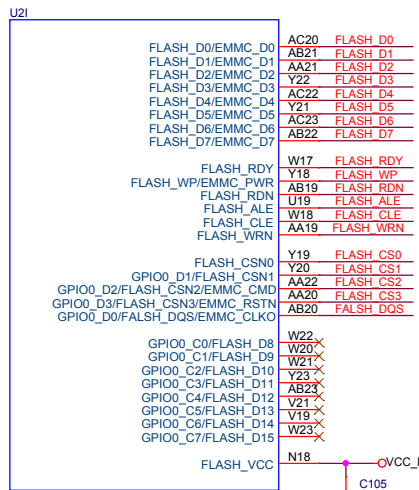


RK3188

RK3188\_G

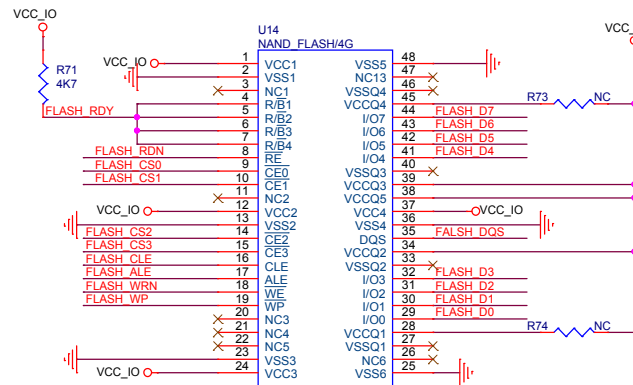


TF Card

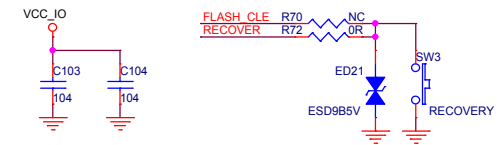


RK3188

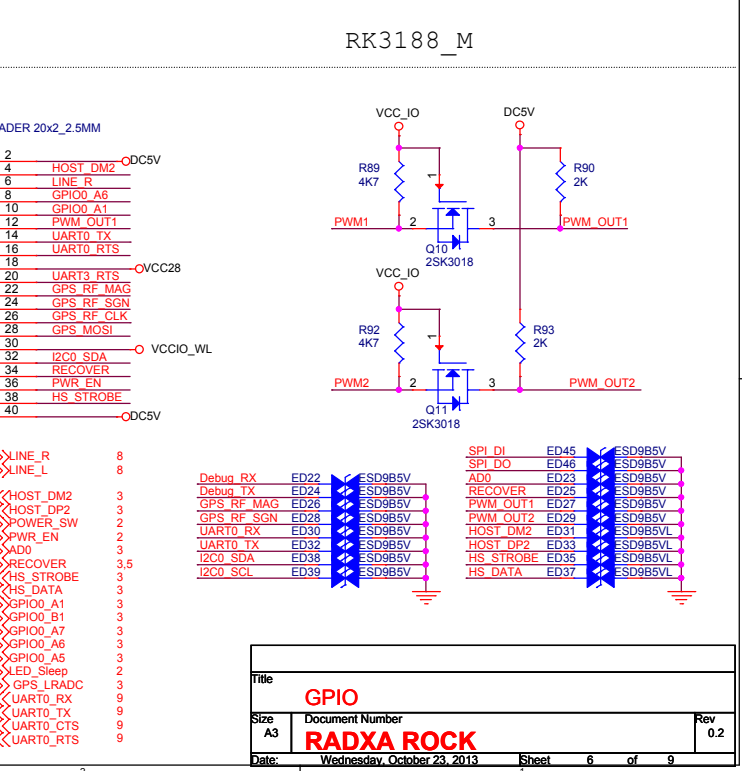
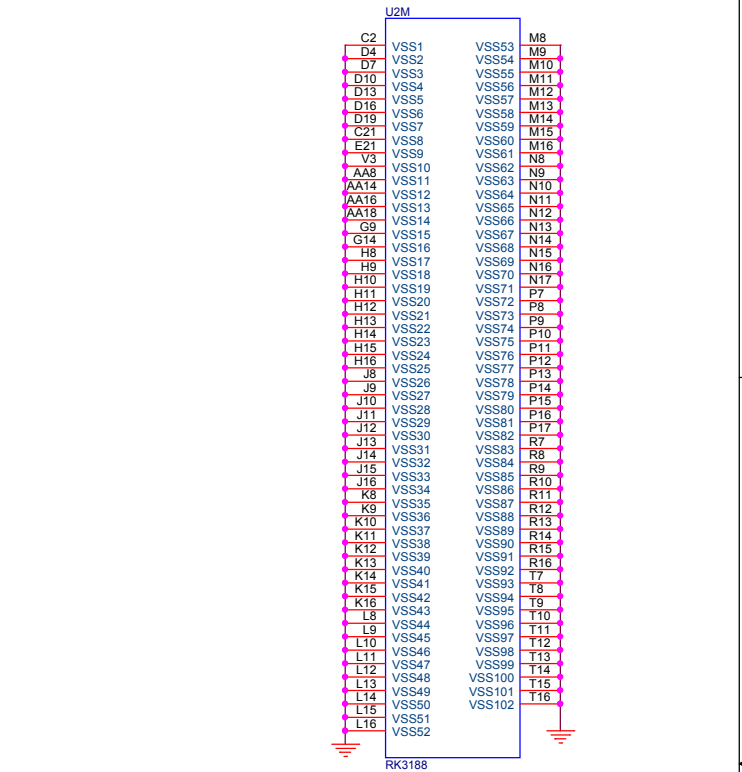
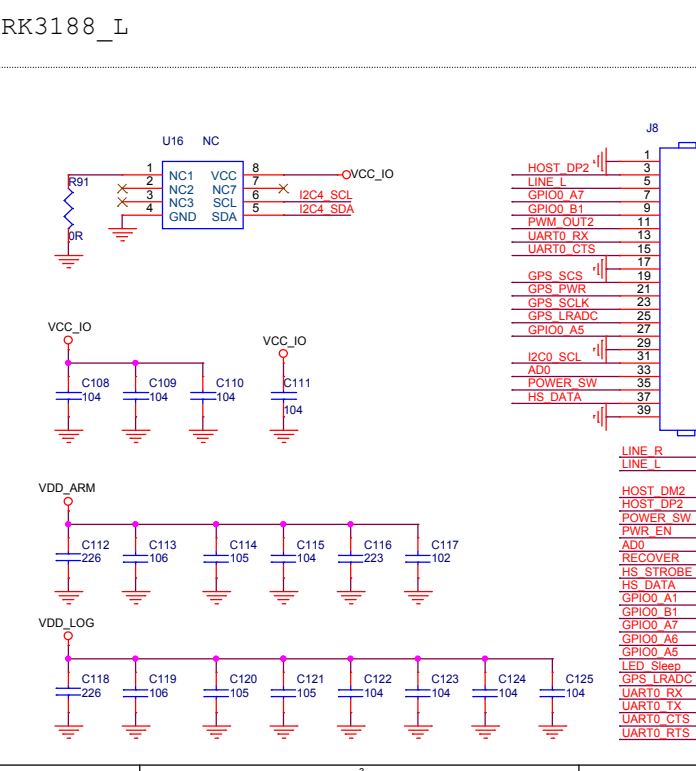
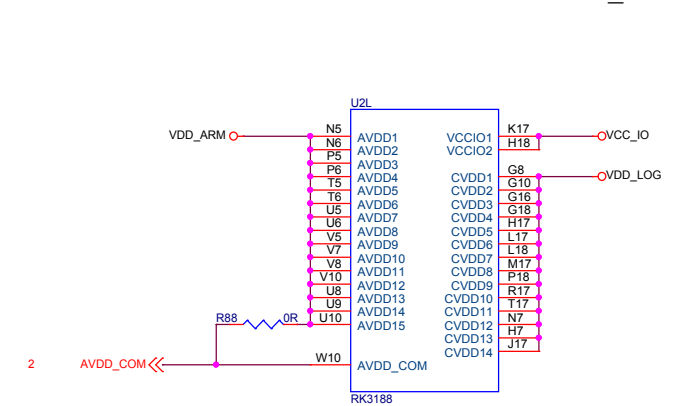
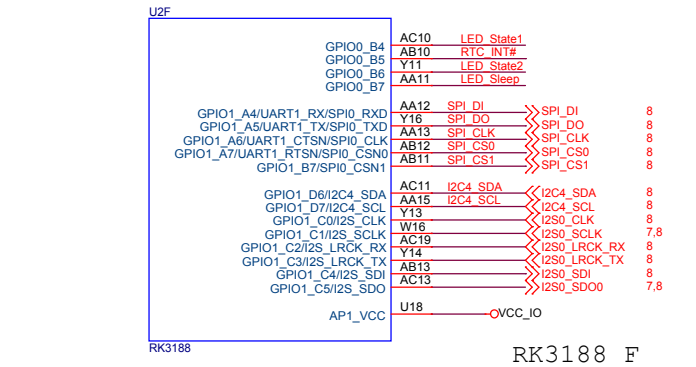
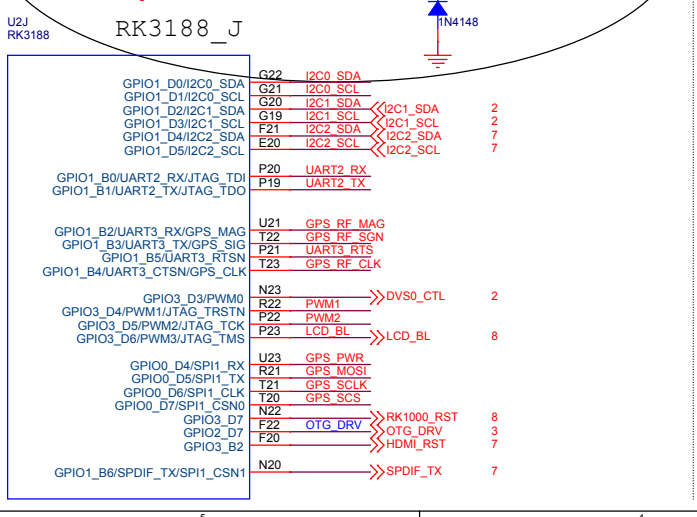
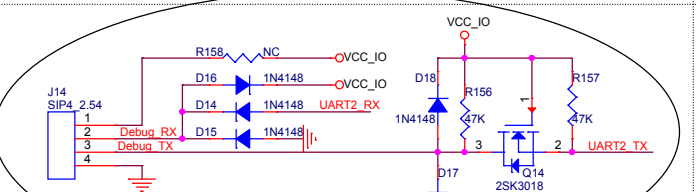
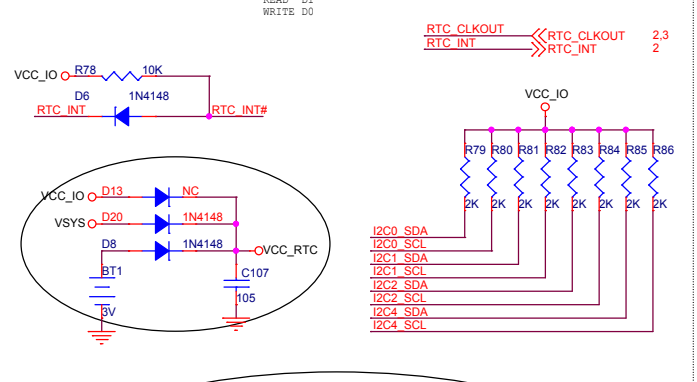
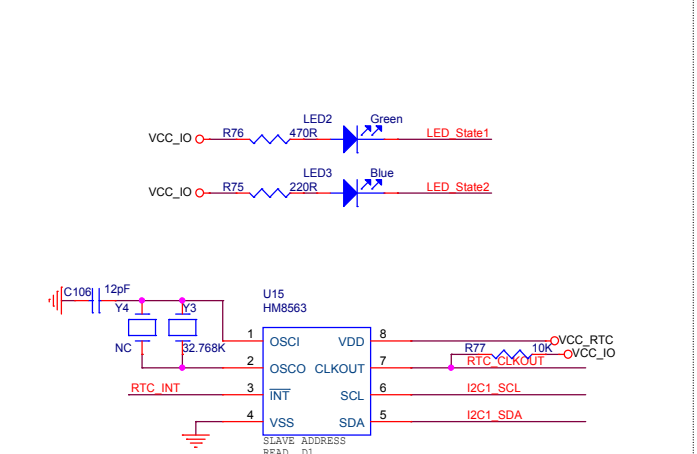
RK3188\_I



note: if use toshiba and sandisk DDR mode, PIN28 and PIN45 must connect vcc\_io.

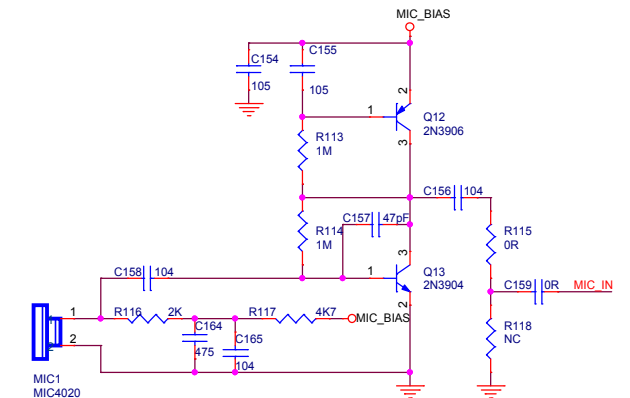
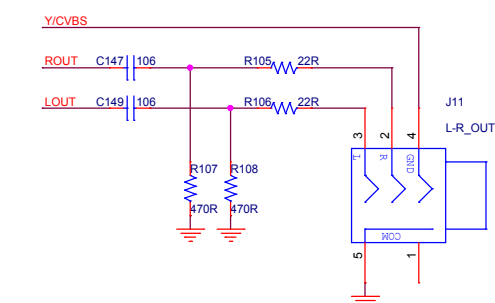
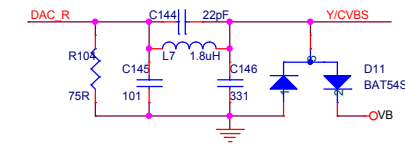
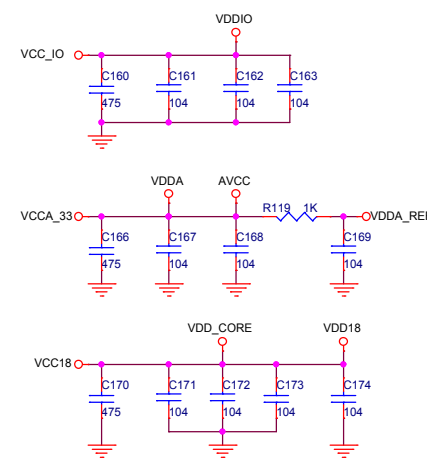
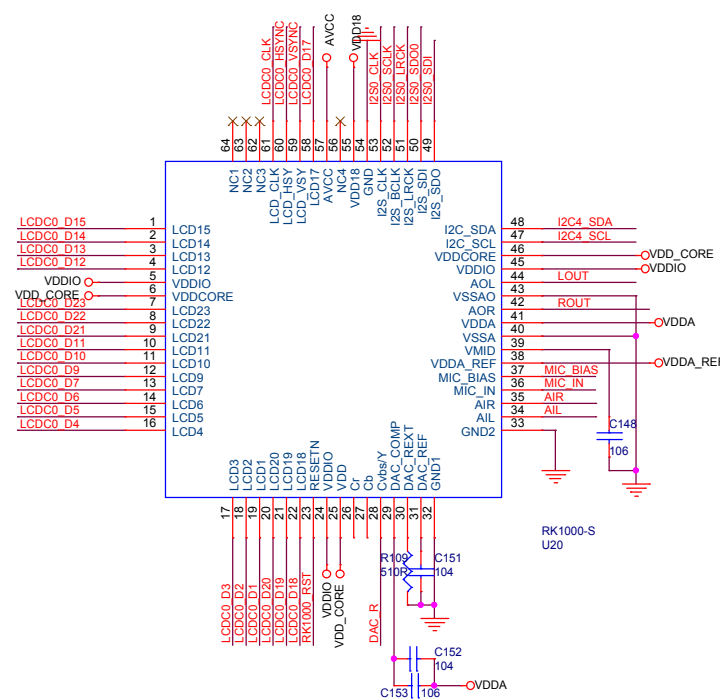
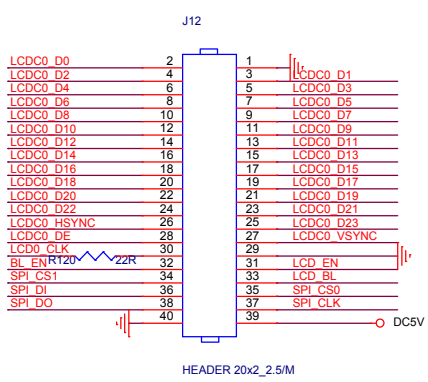
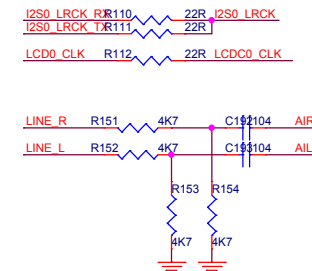
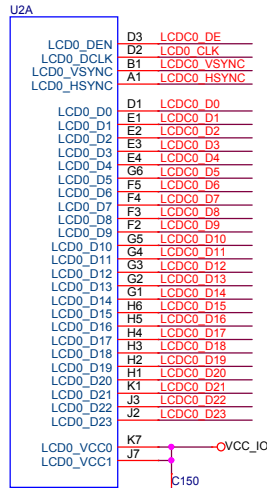


RECOVERY >>> RECOVERY 3.6



Title			GPIO		
Size	Document Number		Rev		
A3	RADXA ROCK		0.2		
Date:	Wednesday, October 23, 2013		Sheet	6 of 9	





LINE_R	<>	LINE_R	6
LINE_L	<>	LINE_L	6
RK1000_RST	<>	RK1000_RST	6
I2C4_SDA	<>	I2C4_SDA	6
I2C4_SCL	<>	I2C4_SCL	6
I2S0_CLK	<>	I2S0_CLK	6
I2S0_SDI	<>	I2S0_SDI	6
I2S0_SDO0	<>	I2S0_SDO0	6.7
I2S0_SCLK	<>	I2S0_SCLK	6.7
I2S0_LRCK_RX	<>	I2S0_LRCK_RX	6
I2S0_LRCK_TX	<>	I2S0_LRCK_TX	6
I2S0_LRCK	<>	I2S0_LRCK	7

LCD_BL	<>	LCD_BL	6
LCD_EN	<>	LCD_EN	3
BL_EN	<>	BL_EN	3
SPI_DI	<>	SPI_DI	6
SPI_DO	<>	SPI_DO	6
SPI_CLK	<>	SPI_CLK	6
SPI_CS0	<>	SPI_CS0	6
SPI_CS1	<>	SPI_CS1	6

Title		
AV OUT		
Size	Document Number	Rev
A3	<b>RADXA ROCK</b>	0.2
Date:	Tuesday, October 22, 2013	Sheet 8 of 9

