

CLASS G

480 & 600 VOLT/FUSE BLOCKS



CLASS G FUSE BLOCKS

Ferraz Shawmut Class G Fuse Blocks accommodate all 15, 20, 30 and 60 ampere Class G fuses. A choice of box, screw or pressure-plate connectors fit a wide range of stranded or solid copper wire. Insulators are glass-filled polycarbonate (GFPC) with verified dielectric strength in excess of 2500V. Fuse blocks feature a unique adder block which can be snapped onto 1-, 2-, or 3-pole blocks to form multi-pole segmented blocks of as many poles as desired. All fuse clips are made of high conductivity tin-plated copper alloy.

Features/Benefits

- **Unique integral DIN rail adapters** for 15, 20 & 30A blocks
- **Unique adder-block design** (all ampere ratings) for design flexibility
- **Spring reinforcing** standard for 60A clips
- **Features high conductivity** copper alloy fuse clips



Ratings

- 600VAC: 15A & 20A
- 480VAC: 30A & 60A
- Short Circuit Current Rating: 100kA using screw, pressure plate or box connections, 10kA using quick connects.
- Temperature/flammability: GFPC insulators rated 125°C RTI, 94V-0 flammability

Approvals

- All fuse blocks meet the requirements of UL Std. 512
- UL Listed
Guide IZLT, File E52283
- CSA Certified
Class 6225, File 32169



RECOMMENDED FUSE USAGE

Class G Blocks use with **AG**

Clip & Connector Types

15, 20, 30, 60A G

COPPER BOX CONNECTOR OR ALUMINUM BOX CONNECTOR



15, 20, 30A G

SCREW WITH DOUBLE QUICK-CONNECTS



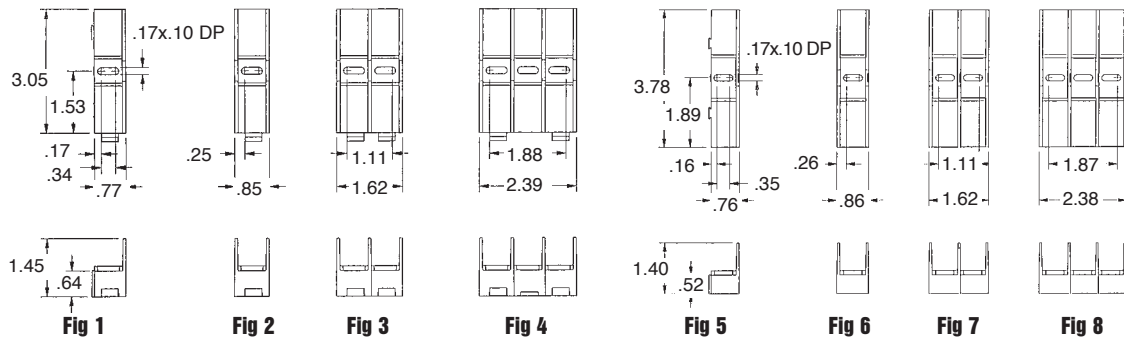
15, 20, 30A G

PRESSURE PLATE WITH DOUBLE-QUICK CONNECTS



CLASS G

480 & 600 VOLT/FUSE BLOCKS



600 Volt, 15 & 20 Ampere; 480 Volt 30 & 60 Ampere Class G Fuse Blocks

AMPERE RATING	POLES	CONNECTOR		CATALOG NUMBER	FIG	CONNECTOR TORQUE IN-LB
		TYPE	WIRE RANGE			
15 GFPC INSULATOR	ADDER 1 2 3	SCREW W/DOUBLE QUICK CONNECTS AT BOTH ENDS	Cu #10-14	40110G	1	20
				40111G	2	
				40112G	3	
				40113G	4	
	ADDER 1 2 3	PRESSURE PLATE (SEMS) W/DOUBLE QUICK CONNECTS AT BOTH ENDS	Cu #10-14	40120G	1	20
				40121G	2	
40122G				3		
40123G				4		
ADDER 1 2 3	COPPER BOX	Cu #6-14	40150G	1	35	
			40151G	2		
			40152G	3		
			40153G	4		
20 GFPC INSULATOR	ADDER 1 2 3	SCREW W/DOUBLE QUICK CONNECTS AT BOTH ENDS	Cu #10-14	40210G	1	20
				40211G	2	
				40212G	3	
				40213G	4	
	ADDER 1 2 3	PRESSURE PLATE (SEMS) W/DOUBLE QUICK CONNECTS AT BOTH ENDS	Cu #10-14	40220G	1	20
				40221G	2	
40222G				3		
40223G				4		
ADDER 1 2 3	COPPER BOX	Cu #6-14	40250G	1	35	
			40251G	2		
			40252G	3		
			40253G	4		
30 GFPC INSULATOR	ADDER 1 2 3	SCREW W/DOUBLE QUICK CONNECTS AT BOTH ENDS	Cu #10-14	40310G	1	20
				40311G	2	
				40312G	3	
				40313G	4	
	ADDER 1 2 3	PRESSURE PLATE (SEMS) W/DOUBLE QUICK CONNECTS AT BOTH ENDS	Cu #10-14	40320G	1	20
				40321G	2	
40322G				3		
40323G				4		
ADDER 1 2 3	COPPER BOX	Cu #6-14	40350G	1	35	
			40351G	2		
			40352G	3		
			40353G	4		
60 GFPC INSULATOR	ADDER 1 2 3	ALUMINUM BOX	Al/Cu #2-14	40605G	5	45
				40606G	6	
				40607G	7	
				40608G	8	
	ADDER 1 2 3	COPPER BOX	Cu #4-14	40655G	5	45
				40656G	6	
40657G				7		
40658G				8		