

# Transformer Protection

## Amp-Trap® and 9F62 Bolt-In Series

### 5.0kV, 5.5kV, 7.2kV, 8.25kV, and 15.5kV

#### Bolt-In fuses:

Mersen fuses for the protection of transformers and distribution lines deliver overload and short circuit protection. These current-limiting fuses will melt at current that can be as low as 1.7 times the fuse current ratings up to its maximum interrupting rating. These fuses are designed to withstand the transformer magnetizing inrush current. They are single, double, triple or quadruple barrels 3 inch diameter (size D) with end mounts designed for bolting directly to equipment bus or terminal pads.

#### Features/Benefits:

- UL listed for compatibility with UL listed equipment.
- Bolt-In mounting for direct connection to bus or terminals.
- Current-limiting for superior equipment protection.
- Non-venting for silent operation
- Metal embossed catalog number and manufacturing date for lasting identification.
- Outdoor usage for the 9F62.
- Blown-fuse indicator to give positive identification of open fuse.
  - Amp trap: 2 lb tripped force - 0.50 Inch
  - 9F62: 0.125 lb tripped force – 0.20 Inch

#### Highlights:

- E-Rated
- UL listed
- Outdoor use



#### Applications:

- Protection for 5.5kV to 15.5kV transformers or distribution systems.

#### Definitions:

##### General Purpose Current-Limiting Fuses (Per IEEE Std C37.40-2003):

A general purpose current-limiting fuse is one that is capable of interrupting all currents from its rated interrupting current down to the current that causes melting of the fusible element(s) in one hour or more.

**E-Rating:** E-Rated fuses are general purpose fuses that operate as follows (Per ANSI C37.46-2000):

- 100E or less – must melt in 300 seconds (5 mins.) at 200 to 240% of E (ampere) rating.
- Over 100E – must melt in 600 seconds (10 mins.) at 220 to 264% of E (ampere) rating.
- Example: A 100E fuse must melt in 300 seconds with an applied current of 200 to 240 amperes.



#### Ratings:

##### Amp-Trap Bolt-in Series

###### A050B:

**Volts** : 5.0kV AC  
**Amps** : 1200E  
**IR** : 59kA Sym

###### A055B:

**Volts** : 5.5kV AC  
**Amps** : 10 to 900E  
**IR** : 59kA Sym

###### A072B:

**Volts** : 7.2kV AC  
**Amps** : 250 to 400E  
**IR** : 65kA Sym

###### A083B:

**Volts** : 8.25kV AC  
**Amps** : 125 to 200E  
**IR** : 50kA Sym

###### A155B:

**Volts** : 15.5kV AC  
**Amps** : 200 to 300E  
**IR** : 50kA Sym

##### 9F62 Series Type EJO-1

###### 9F62

**Volts** : 5.5kV AC  
: 15.5V AC  
**Amps** : 300 to 900A  
**IR** : 50kA Sym

#### Approvals:

- UL Listed to standard File E143362



# Transformer Protection

## Amp-Trap® and 9F62 Bolt-In Series

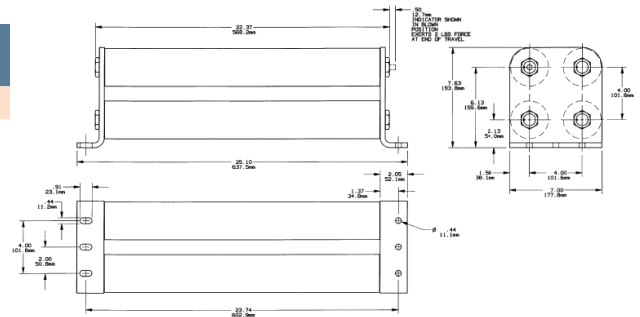
### 5.0kV / 5.5kV Bolt-In fuses:

#### 5.0kV E-Rated Amp-Trap Bolt-In Series

Suitable for use indoors or in an enclosure only

Catalog No.	Amp Rating	No. of Barrels	Indicating	Max Voltage	Max IR RMS Sym	Figure
A050B4D0R0-1200E	1200E	4	Yes	5.0kV	59kA	E

Figure E



#### 5.5kV E-Rated Amp-Trap Bolt-In Series – UL Listed

Suitable for use indoors or in an enclosure only



Catalog Number	Amp Rating	No. of Barrels	Indicating	Max Voltage	Max IR RMS Sym	Figure
A055B1DAR0-10E	10E	1	Yes	5.5kV	63kA	A
A055B1DAR0-15E	15E					
A055B1DAR0-20E	20E					
A055B1DAR0-25E	25E					
A055B1DAR0-30E	30E					
A055B1DAR0-40E	40E					
A055B1DAR0-50E	50E					
A055B1DAR0-65E	65E					
A055B1DAR0-80E	80E					
A055B1DAR0-100E	100E					
A055B1DAR0-125E	125E					
A055B1DAR0-150E	150E					
A055B1DAR0-175E	175E					
A055B1DAR0-200E	200E					
A055B2DAR0-250E	250E	2	Yes	5.5kV	63kA	B
A055B2DAR0-300E	300E					
A055B2DAR0-350E	350E					
A055B2DAR0-400E	400E	2	Yes	5.5kV	63kA	C
A055B2DAR0-450E	450E					
A055B2D0R0-450E	450E					
A055B2D0R0-500E	500E	3	Yes	5.5kV	63kA	D
A055B2D0R0-600E	600E					
A055B3D0R0-750E	750E					
A055B3D0R0-900E	900E					

Figure A

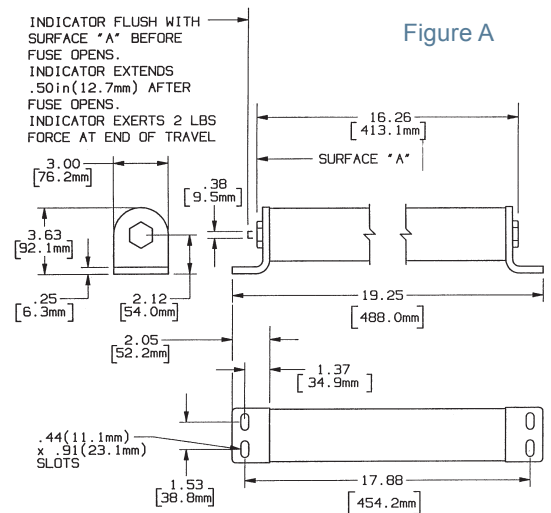
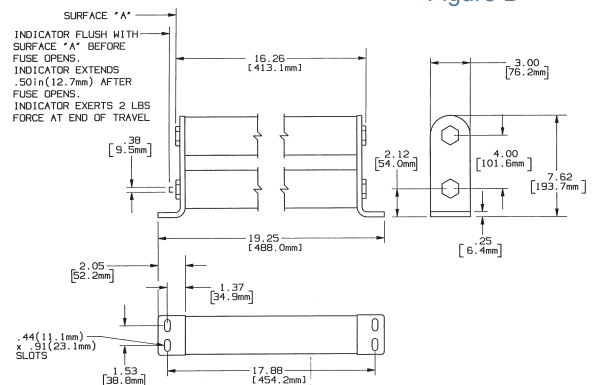


Figure B



# Transformer Protection

## Amp-Trap® and 9F62 Bolt-In Series

5.5kV General Purpose fuses – 9F62 Series, EJO-1 – UL Listed

Suitable for use indoors or outdoors



Catalog No.	Amp Rating	No. of Barrels	Indicating	Max Voltage	Max IR RMS Sym	Figure	Fuse Support Indoor (EK-1)	Fuse Support Outdoor (EK0-1)
9F62KCB500	500A	4	Yes	5.5 kV	50kA	F	9F61AKB001	9F61CKF009
9F62KCB600	600A							
9F62KCB700	700A							
9F62KCB800	800A							
9F62KCB900	900A							

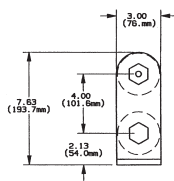
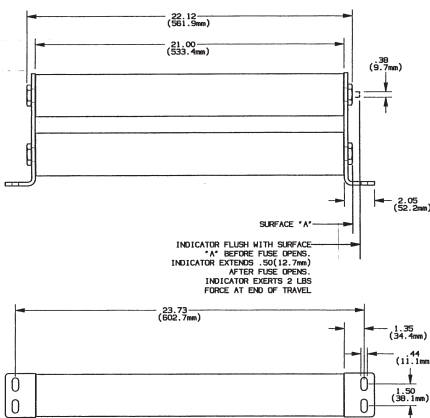


Figure C

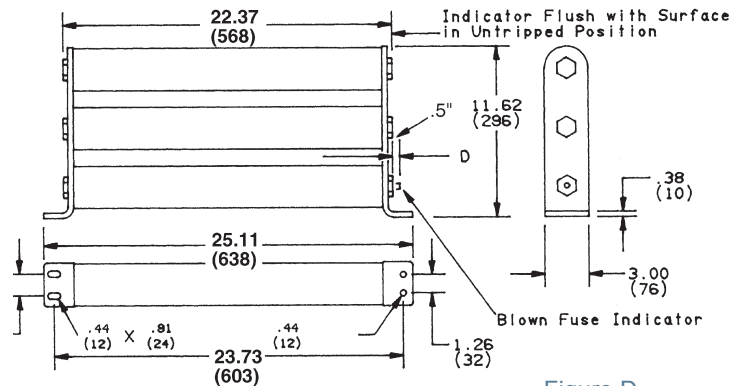


Figure D

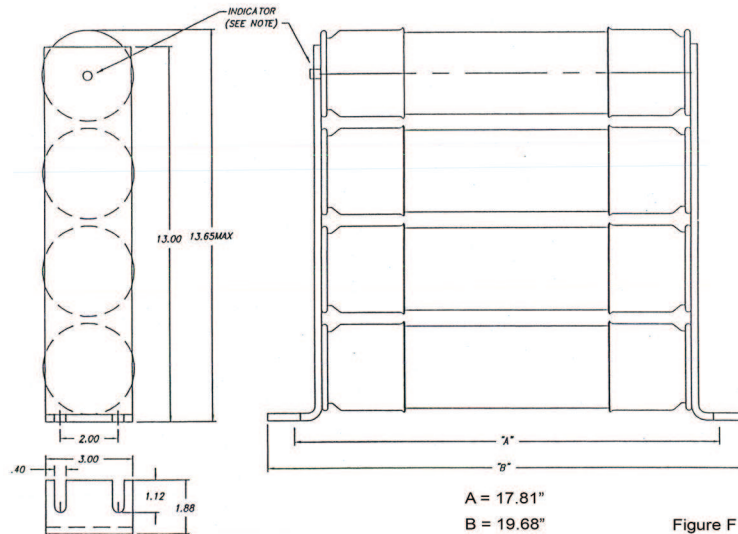


Figure F

Figure F