

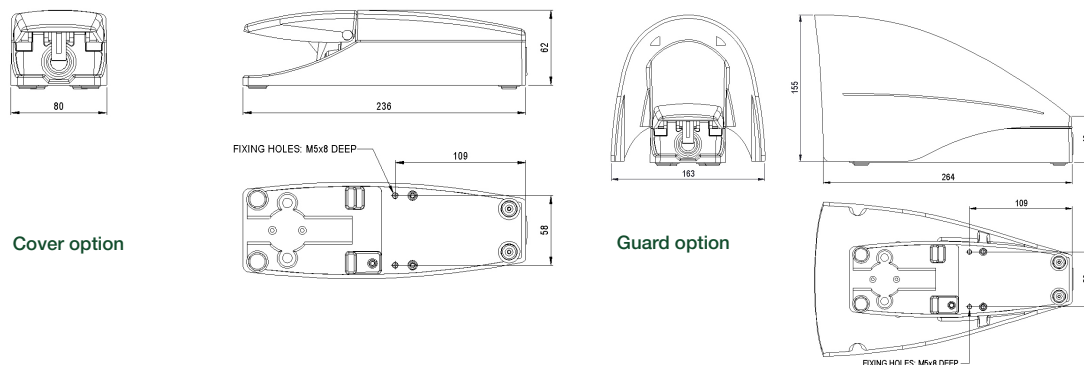
6255 'Mistral' Industrial Foot Air Valve **herga**

Technology Ltd

- The Mistral offers high performance and style
- Average life expectancy 1×10^6 operations
- Rugged high performing heavy duty footswitch
- Available in a choice of colour combinations and valve options, including valve port threads
- The guard is large enough to allow operator to wear industrial protective shoes



Outline dimensions



Ordering and options

Stock models : 6255-AAAA-AAZ0
6255-BAAA-AAZ0

6255 - [] [A] [A] [A] - [] [A] [Z] [0]

Model

Cover and guard colours

- | | |
|----------------|----------------|
| A Cover Yellow | B Guard Yellow |
| C Cover White | D Guard White |
| E Cover Blue | F Guard Blue |
| G Cover Orange | H Guard Orange |
| M Cover Red | L Guard Red |

Base colour

- A Black

Base configuration

- A Entrance ports on each side of base

Tread colour

- A Black

Valve action

- A Momentary 5/2 valve 1/8" BSP ISO R228 Standard
B Momentary 5/2 valve 1/8" NPT
C Momentary 3/2 valve 1/8" BSP ISO R228 Standard
D Momentary 3/2 valve 1/8" NPT

Notew OPtions C & D are supplied with one blanking plug

Pneumatic rating

- A Maximum operating pressure: 10,000 mbar, Temperature -20°C to +80°C

6255 'Mistral' Industrial Foot Air Valve **herga**

Technology Ltd

Technical data

Maximum operating pressure	10 bar (145 PSI / 1000 kPa)
Air condition	Filtered to 40 microns lubricated or dry
Flow rate at 6 bar (87 PSI / 600 kPa)	19 dm ³ /sec (40 SCFM)
Ports	ISO R228 (1/8" BSP) standard or NPT

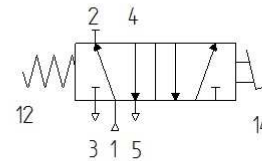
General specifications

Standards/approvals	n/a	Operating temperature range	-20°C to +80°C
Degree of protection	n/a	Body material	Die cast aluminium
Connection method	n/a	Weight	Cover/unguarded 0.8 Kg / guarded 1.5 Kg
Electrical rating	n/a	Additional information	
Contact configuration	See table		
Pressure range	10 bar max.		

Connection data

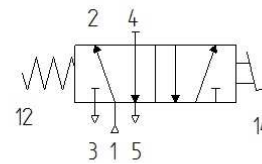
Valve connected as a 3/2 Normally Closed Valve

- The air supply should be connected to port 1
- Port 2 is redundant and closed with the plug fitting supplied
- The outlet is connected to port 4
- Ports 3 and 5 are exhaust ports and should be left open to atmosphere or fitted with silencers. See note below



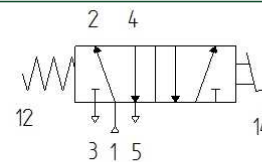
Valve connected as a 3/2 Normally Open Valve

- The air supply should be connected to port 1
- Port 4 is redundant and closed with the plug fitting supplied
- The outlet is connected to port 2
- Ports 3 and 5 are exhaust ports and should be left open to atmosphere or fitted with silencers. See note below



Valve connected as a 5/2 Valve

- The air supply should be connected to port 1
- Port 2 and 4 are outlet or cylinder ports
- Ports 3 and 5 are exhaust ports and should be left open to atmosphere or fitted with silencers. See note below



Note:

We recommend that the exhaust ports of the valve are fitted with silencers. These will reduce the noise of the exhausting air and prevent dirt entering the valve.

