

6223 Leptron Foot/Palm Switches

herga

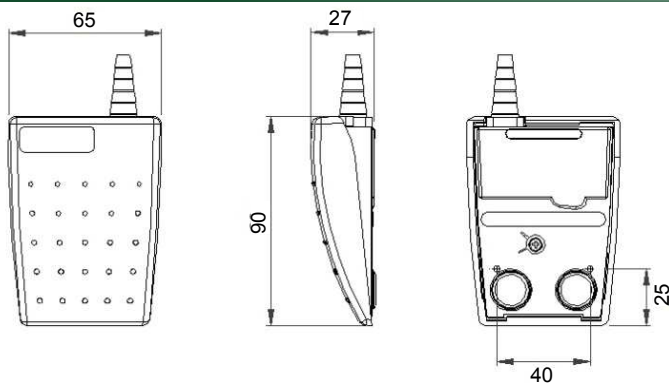
Technology Ltd

For IPX2 single pole switching

- Low profile switch designed for improved user comfort
- All plastic construction with raised tread pattern, ideal for palm or foot operation
- Versatility and innovative design make it an ideal product for OEM use
- Switches designed to meet medical, industrial/office/commercial standards
- Option for customers to fit own cables



Outline dimensions



General specifications

Standards/approvals	Footswitch: EN 60950, EN 60601-1, UL 60601-1, CSA C22.2 No601.1-M90 UL File No. E207181, IEC 60601-1 (dependent upon application chosen) Microswitch: EN 61058-2-1, EN 61058
Degree of protection	EN 60529 IPX2
Connection method	Stripped cable cores or connector of your choice
Electrical rating	See table page 2
Contact configuration	SPST N/O, SPST N/C, SPCO

Operating temperature range	-5°C to +40°C
Body material	Thermoplastic
Weight	0.212Kg (including cable)
Additional information	Customized versions available (logos, cordsets, colours, guards)



