



LEDTECH ELECTRONICS CORP.

NANYA ROAD, MUGANG ZHAOQING  
CITY GUANGDONG CHINA.

TEL: 86-758-2875541, 2870651, 2877464, 2876185, 2877017

FAX: 86-758-2878014

[Http://www.ledtech.com.tw](http://www.ledtech.com.tw)

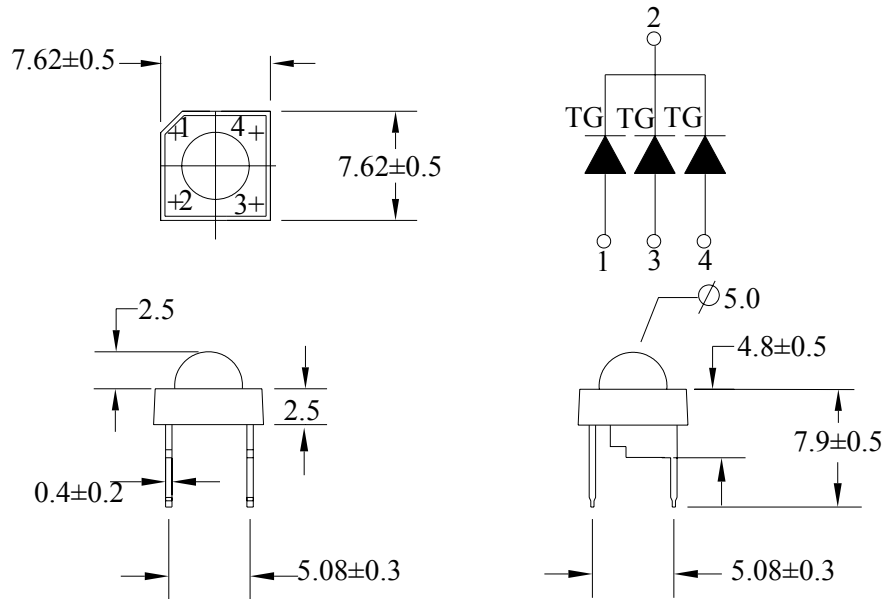
# SPECIFICATION

*PART NO. : LT9T63-2A-3G-UDC9*  
**HIGH POWER AUTOMATIVE LED**



Approved by	Checked by	Prepared by
<i>Tung</i>	<i>Lian</i>	<i>Yu Fang</i>

**Package Dimensions**



**Notes:**

1. All dimensions are in mm.
2. Tolerance is  $\pm 0.25$ mm unless otherwise noted.

**Description**

Part No.	LED Chip		Lens Color
	Material	Emitting Color	
LT9T63-2A-3G-UDC9	InGaN/Sapphire	True Green	Water Clear