



LEDTECH ELECTRONICS CORP.

NANYA ROAD, MUGANG ZHAOQING  
CITY GUANGDONG CHINA.

TEL: 86-758-2875541, 2870651, 2877464, 2876185, 2877017

FAX: 86-758-2878014

[Http://www.ledtech.com.tw](http://www.ledtech.com.tw)

# SPECIFICATION

*PART NO. : LI5673-11-M1 EWRN*

*0.56"(14.22mm)THREE DIGIT*

*INTELLIGENT DISPLAY*



Approved by

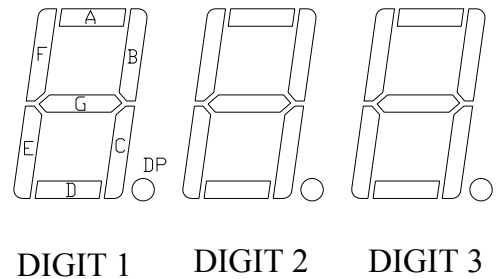
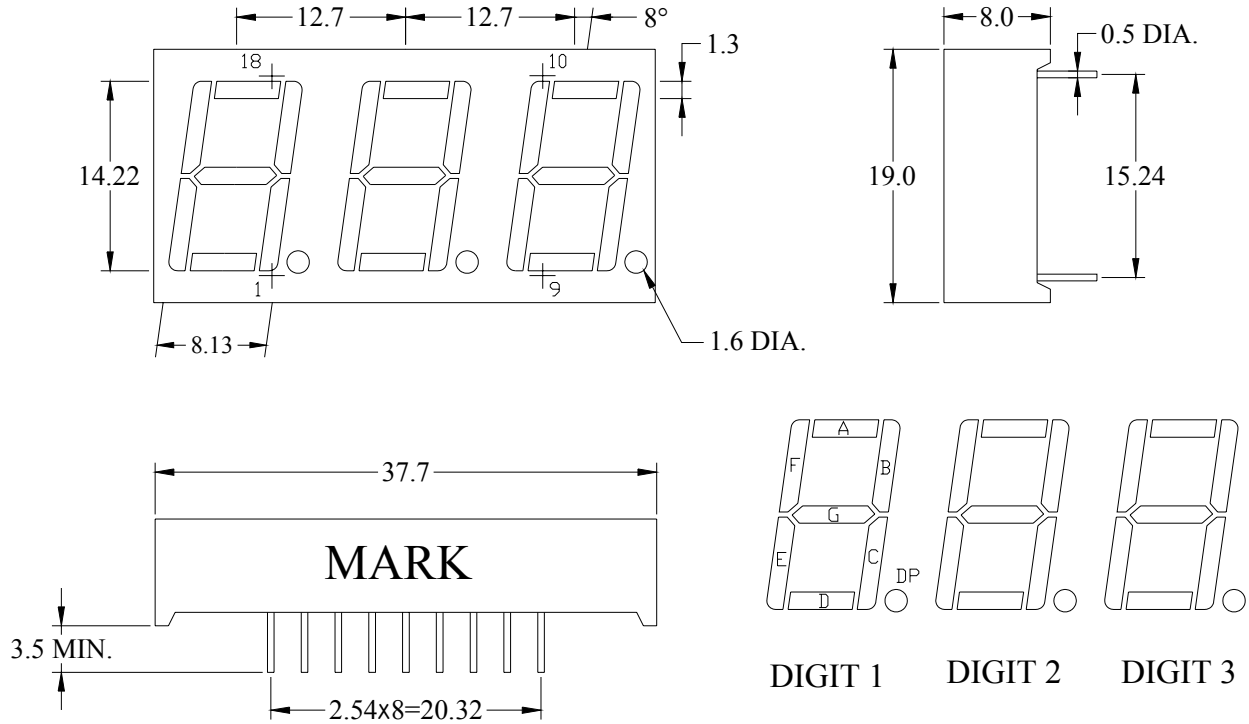
Checked by

Prepared by

*Tung*

*Andy*

*Zhou*

**Dimensions**

**Notes:**

1. The slope angle of any PIN may be  $\pm 5.0^\circ$  Max.
2. All dimensions are in mm, tolerance is  $\pm 0.25$ mm unless otherwise noted.

**Description**

Part No.	LED Chip		Face Color	
	Material	Emitting Color	Surface	Segments
LI5673-11-M1 EWRN	AlGaAs/GaAs	Super Red	Grey	White

## Functional Description

The block diagram is shown in Figure 1. The brightness of displays are determined by The output sink current . To prevent oscillations, a inf capacitor should be connected to the Pin of brightness control.

The input data format is shown in Figure 2.

The timing relationships between data,clock and data enable are shown in Figure3.

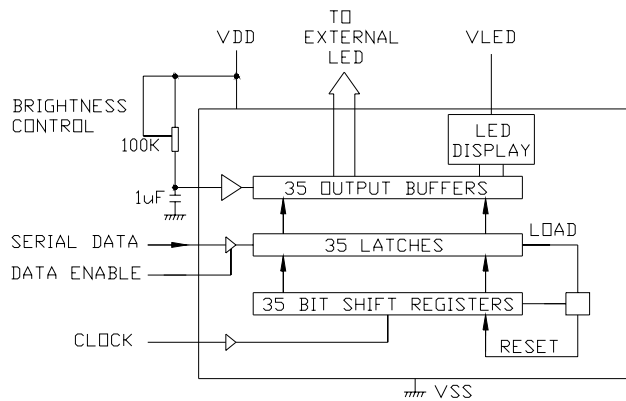


FIGURE 1. Internal Block Diagram

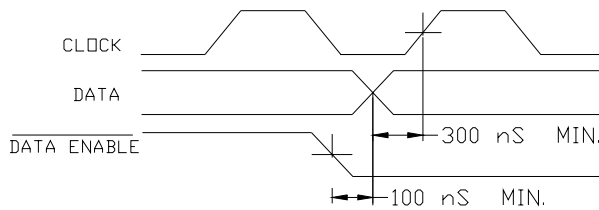


FIGURE 2. Input Data Format

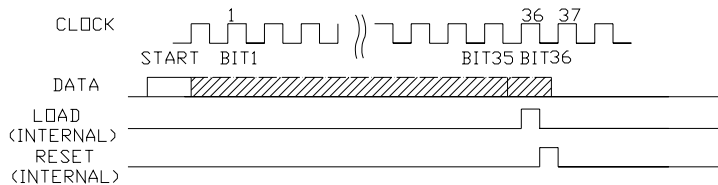


FIGURE 3. Timing Relationship

### Serial Data Input Sequence

BIT NO.	DIGIT/ SEGMENT	BIT NO.	DIGIT/ SEGMENT
1	1/A	18	3/B
2	1/B	19	3/C
3	1/C	20	3/D
4	1/D	21	3/E
5	1/E	22	3/F
6	1/F	23	3/G
7	1/G	24	3/DP
8	1/DP	25	PIN.4
9	2/A	26	PIN.5
10	2/B	27	PIN.6
11	2/C	28	PIN.7
12	2/D	29	PIN.8
13	2/E	30	PIN.9
14	2/F	31	PIN.10
15	2/G	32	PIN.11
16	2/DP	33	PIN.12
17	3/A	34	PIN.13

**LI5673-11-M1**0.56" THREE DIGIT  
INTELLIGENT DISPLAY**Pin Function**

LI5673-11-M1 EWRN			
Pin No.	Function	Pin No.	Function
1	VSS	10	BIT 31 OUTPUT
2	VLED	11	BIT 32 OUTPUT
3	VLED	12	BIT 33 OUTPUT
4	BIT 25 OUTPUT	13	BIT 34 OUTPUT
5	BIT 26 OUTPUT	14	DATA ENABLE
6	BIT 27 OUTPUT	15	DATA INPUT
7	BIT 28 OUTPUT	16	CLOCK INPUT
8	BIT 29 OUTPUT	17	V <sub>DD</sub>
9	BIT 30 OUTPUT	18	BRT.CONTROL

**Absolute Maximum Ratings at Ta=25 °C**

Parameter	Symbol	Rating	Unit
Power Dissipation Per Segment	PD	66	mW
Pulse Current(1/10Duty Cycle,0.1ms Pulse Width.) Per Chip	IFP	100	mA
Forward Current Per Chip	IF	30	mA
Reverse (Leakage)Current Per Chip	Ir	100	uA
Reverse Voltage Per Chip	VR	4	V
Operating Temperature Range	Topr.	-25 to +85	°C
Storage Temperature Range	Tstg.	-40 to +100	°C
Soldering Temperature.	Tsol.	Dip Soldering: 260°C for 5 sec. Hand Soldering: 350°C for 3 sec.	

**Electrical Characteristics For Operating at Ta=25 °C**

Parameter	Test Condition	Min.	Typ.	Max.	Unit
Supply Voltage(V <sub>DD</sub> )		4.75		5.25	V
Supply Current	Excluding Output Loads			7.0	mA
Input Clock Frequency				500	KHz
Input Voltage Logical "0" Level Logical "1" Level		-0.3 2.2 V <sub>DD</sub> -2		0.8 V <sub>DD</sub> V <sub>DD</sub>	V
Output Sink Current Segment Off Segment Off	Brightness Input(I <sub>B</sub> )=0Ua Brightness Input(I <sub>B</sub> )=240uA	0	10.0	10.0	uA mA
*Led Supply Voltage(V <sub>LED</sub> )		2.5		3.5	V

**Electrical and Optical Characteristics:**

Parameter	Symbol	Condition	Min.	Typ.	Max.	Unit
Luminous Intensity Per Segment	I <sub>v</sub>	I <sub>f</sub> =10mA/seg.	3.7	7.7		mcd
Forward Voltage	V <sub>f</sub>	I <sub>f</sub> =20mA/seg.		1.8	2.2	V
Peak Wavelength	λ <sub>p</sub>	I <sub>f</sub> =20mA/seg.		660		nm
Dominant Wavelength	λ <sub>d</sub>	I <sub>f</sub> =20mA/seg.		643		nm
Reverse Current Per Chip (Leakage Current Per Chip)	I <sub>r</sub>	V <sub>r</sub> =4V			100	μA
Spectrum Line Halfwidth	Δλ	I <sub>f</sub> =20mA/seg.		20		nm
Response Time	T	-----		250		ns

Note: Customer's special requirements are also welcome.

## Typical Electrical/Optical Characteristic Curves (25°C Ambient Temperature Unless Otherwise Noted)

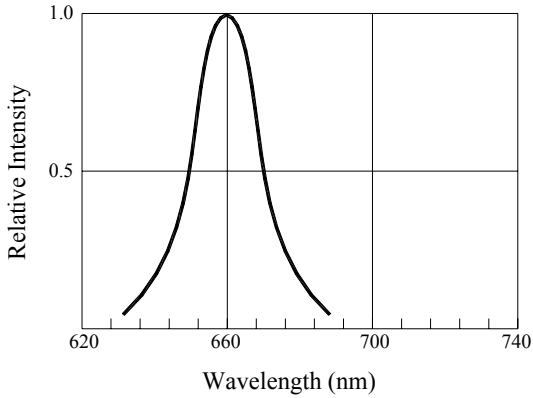


Fig.1 RELATIVE INTENSITY VS. WAVELENGTH

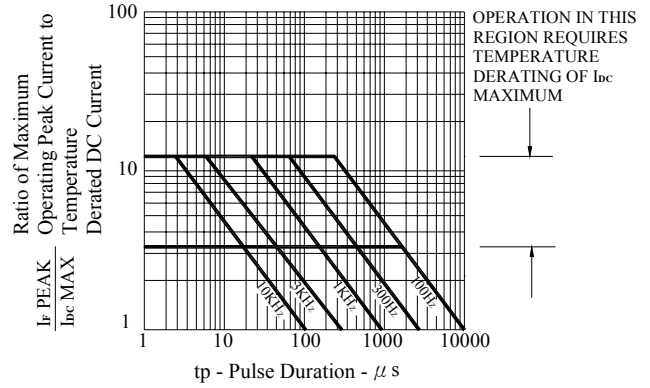


Fig.2 MAXIMUM TOLERABLE PEAK CURRENT VS. PULSE DURATION

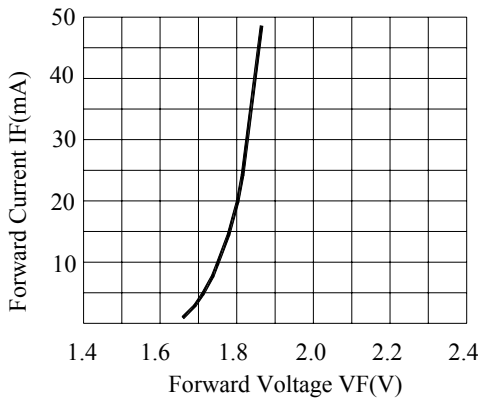


Fig.3 FORWARD CURRENT VS. FORWARD VOLTAGE PER CHIP

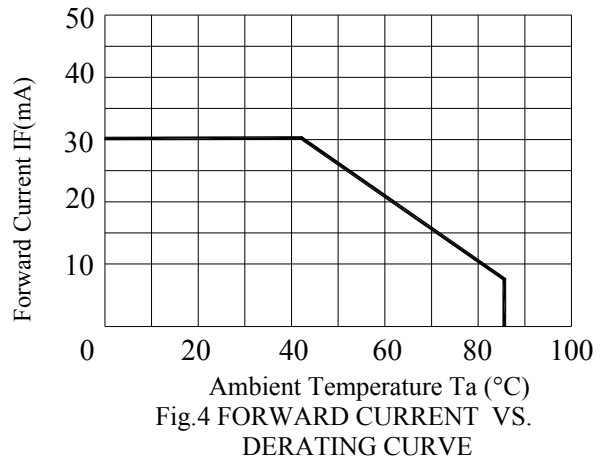


Fig.4 FORWARD CURRENT VS. DERATING CURVE

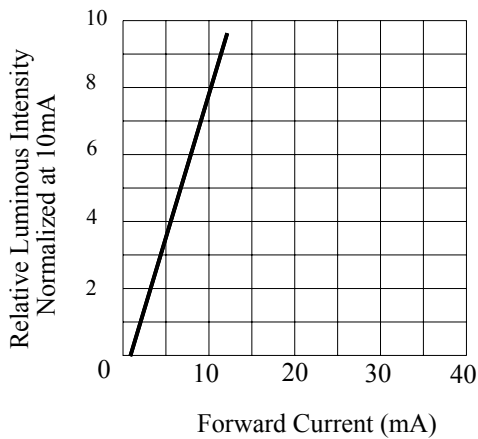


Fig.5 RELATIVE LUMINOUS INTENSITY VS. FORWARD CURRENT

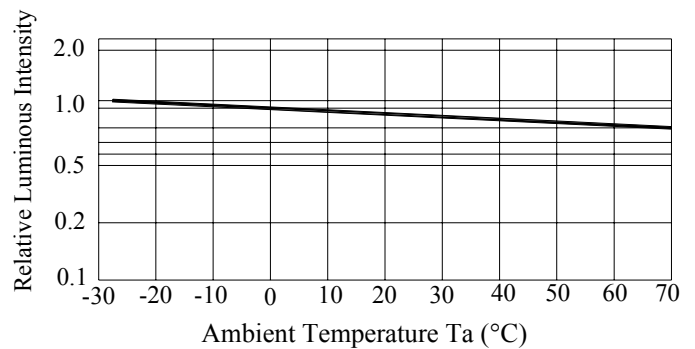


Fig.6 LUMINOUS INTENSITY VS. AMBIENT TEMPERATURE

## Precautions in Use:

PLEASE PAY SPECIAL ATTENTION TO THE NEXT POINT TO INCORPORATE OPTO DEVICE TO HIGH RELIABILITY

1. Do not bend the lead. Bending leads could cause breakage of leads or the degradation of the chip.  
When bending is unavoidable, strictly follow the cautionary instruction below.
  - (1) Bend the leads before soldering.
  - (2) Bending a lead must be done by fixing a lead tightly and applying no stress on the resin part.
  - (3) The lead bending point must be more than 1.6mm away from the edge or the resin part.
  - (4) When a pin is tested for its endurance, bending degree should be 45° and repeated no more than two times.
  
2. Setting a product by using tool such as a holder should be avoided.  
When necessary, no stress should be applied to the resin part and lead to consider dimension tolerance, thermal expansion, thermal contraction of holder, product and circuit board etc.
  
3. The hole pitch of a circuit board must fit into the lead pitch of products.
  
4. When soldering, care the followings:
  - (1) Do not heat a product under any stress (i.e.: twist) to leads.
  - (2) Do not heat ( for example, by soldering ) a product while out side force is applied the resin part.
  - (3) The temperature of a product should not exceed the specified maximum storage temperature.
  - (4) Soldering with PC Board should be conducted with following conditions.
    - (a) For dip soldering  
Pre-heating : 90°C Max. for within 60 Sec.  
Soldering bath : 260±5°C (Solder Temp.) for within 5 Sec.
    - (b) Soldering iron : 350°C (Soldering iron tip) for within 3 Sec.
  
5. Flux could corrode the leads. Use flux that contains as little chlorine as possible (RA, RMA, less than 0.2 wt%) and need not be washed way. When, however, washing is necessary, partially wash around the leads, instead of the entire LED, by the following conditions.  
Cleaning agent : Methyl Alcohol  
Cleaning temp : 45°C MAX.  
Cleaning time : 30Sec. MAX.
  
6. Minimum amount of soldering flux should be used. Soldering flux should be applied only to the pin portion.
  
7. The following may damage products or LED chips: Attachment or contact of residual flux solvent onto the product surface or to LED chips, or invasion of the same into the product.