



LEDTECH ELECTRONICS CORP.

NANYA ROAD, MUGANG ZHAOQING
CITY GUANGDONG CHINA.

TEL: 86-758-2875541, 2870651, 2877464, 2876185, 2877017

FAX: 86-758-2878014

[Http://www.ledtech.com.tw](http://www.ledtech.com.tw)

SPECIFICATION

PART NO. : LT5202-24

**2.0×5.0mm RECTANGULAR BI-COLOR
LAMP(2LEADS)**



Approved by

Checked by

Prepared by

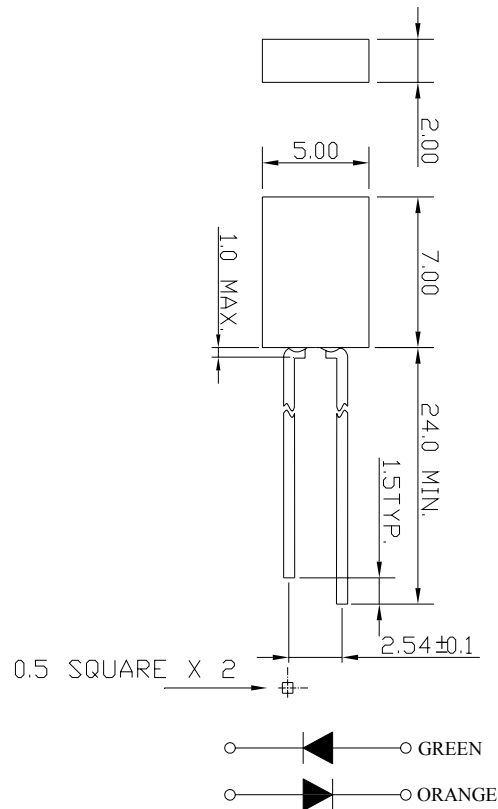
Tung

Yang

Min Bao

Description

This green and orange bi-color lamp is made with GaP/GaP green chip, GaAsP/GaP orange chip and white diffused epoxy resin.



Notes:

1. All dimensions are in mm.
2. Tolerance is ± 0.25 mm unless otherwise noted.

Description

Part No.	LED Chip		Lens Color
	Material	Emitting Color	
LT5202-24	GaP/GaP	Green	White diffused
	GaAsP/GaP	Orange	