



LEDTECH ELECTRONICS CORP.

NANYA ROAD, MUGANG ZHAOQING  
CITY GUANGDONG CHINA.

TEL: 86-758-2875541, 2870651, 2877464, 2876185, 2877017

FAX: 86-758-2878014

[Http://www.ledtech.com.tw](http://www.ledtech.com.tw)

# SPECIFICATION

*PART NO. : LT18B3-4D-UGE3-Z*

*5.0mm ROUND LED LAMP*



Approved by

Checked by

Prepared by

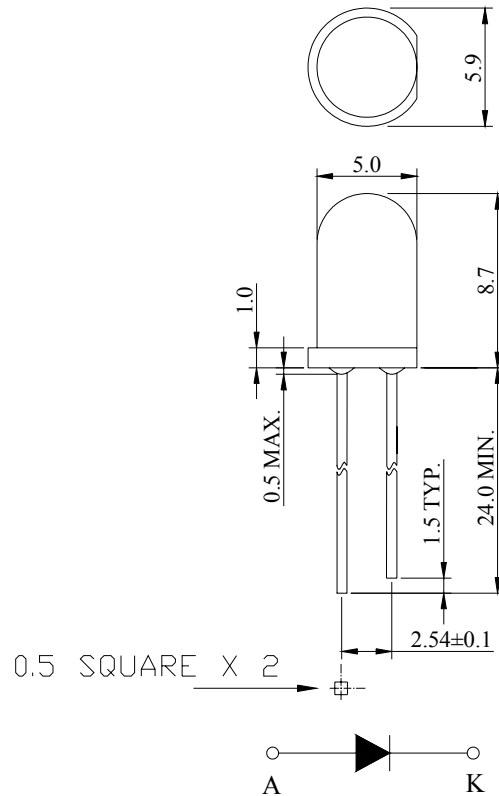
*Tung*

*Yang*

*Haibo*

**Description**

This blue lamp is made with InGaN/Sapphire chip and water clear epoxy resin.


**Notes:**

1. All dimensions are in mm.
2. Tolerance is  $\pm 0.25$ mm unless otherwise noted.

**Description**

Part No.	LED Chip		Lens Color
	Material	Emitting Color	
LT18B3-4D-UGE3-Z	InGaN/Sapphire	Blue	Water clear