



LEDTECH ELECTRONICS CORP.

NANYA ROAD, MUGANG ZHAOQING
CITY GUANGDONG CHINA.

TEL: 86-758-2875541, 2870651, 2877464, 2876185, 2877017

FAX: 86-758-2878014

[Http://www.ledtech.com.tw](http://www.ledtech.com.tw)

SPECIFICATION

PART NO. : LT03A3-41-UGC1

3.0mm ROUND LED LAMP



Approved by

Checked by

Prepared by

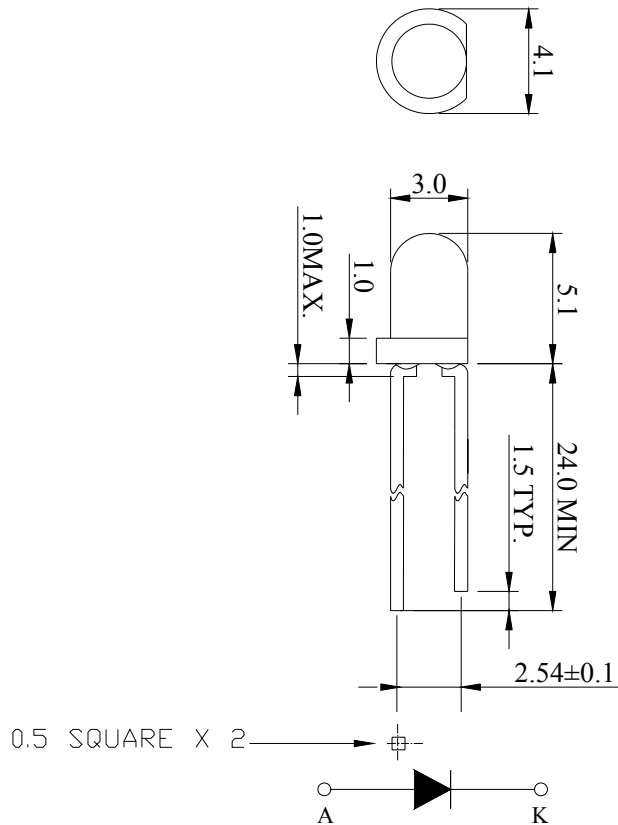
Tung

Yang

Haibo

Description

This amber lamp is made with AlGaInP/GaAs chip and water clear epoxy resin.



Notes:

1. All dimensions are in mm.
2. Tolerance is ± 0.25 mm unless otherwise noted.

Description

Part No.	LED Chip		Lens Color
	Material	Emitting Color	
LT03A3-41-UGC1	AlGaInP/GaAs	Amber	Water clear