



LEDTECH ELECTRONICS CORP.

NANYA ROAD, MUGANG ZHAOQING
CITY GUANGDONG CHINA.

TEL: 86-758-2875541, 2870651, 2877464, 2876185, 2877017

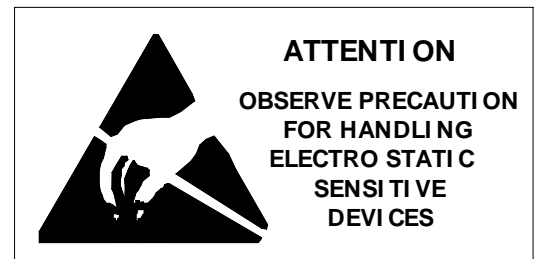
FAX: 86-758-2878014

[Http://www.ledtech.com.tw](http://www.ledtech.com.tw)

SPECIFICATION

PART NO. : LT0333-4D-ULE1-Z

3.0mm ROUND LED LAMP



Approved by

Checked by

Prepared by

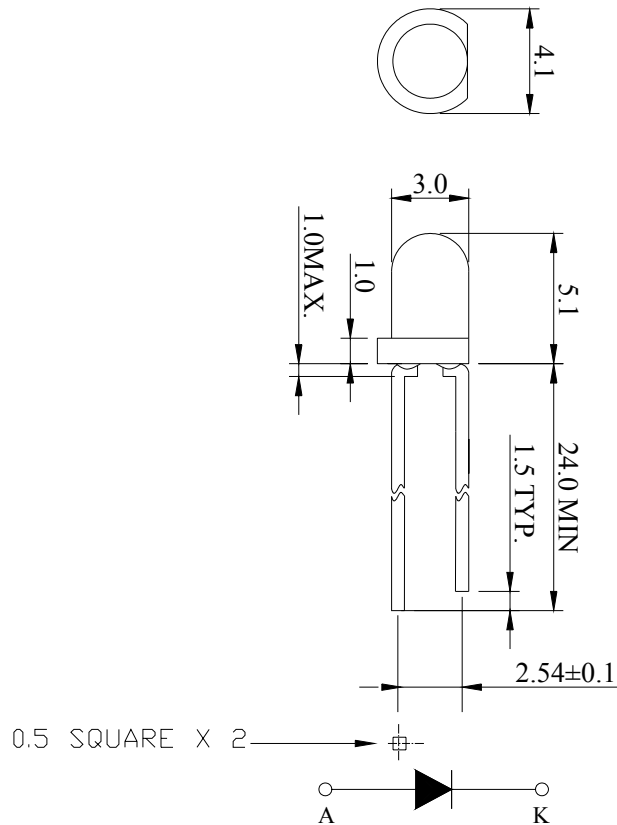
Tung

Yang

Haibo

Description

This yellow lamp is made with AlGaInP/Si chip and water clear epoxy resin.


Notes:

1. All dimensions are in mm.
2. Tolerance is ± 0.25 mm unless otherwise noted.

Description

| Part No. | LED Chip | | Lens Color |
|------------------|------------|----------------|-------------|
| | Material | Emitting Color | |
| LT0333-4D-ULE1-Z | AlGaInP/Si | Yellow | Water clear |