



LEDTECH ELECTRONICS CORP.

NANYA ROAD, MUGANG ZHAOQING
CITY GUANGDONG CHINA.

TEL: 86-758-2875541, 2870651, 2877464, 2876185, 2877017

FAX: 86-758-2878014

[Http://www.ledtech.com.tw](http://www.ledtech.com.tw)

SPECIFICATION

PART NO. : LT3V14-81

4.8mm CYLINDRIC LED LAMP



Approved by

Checked by

Prepared by

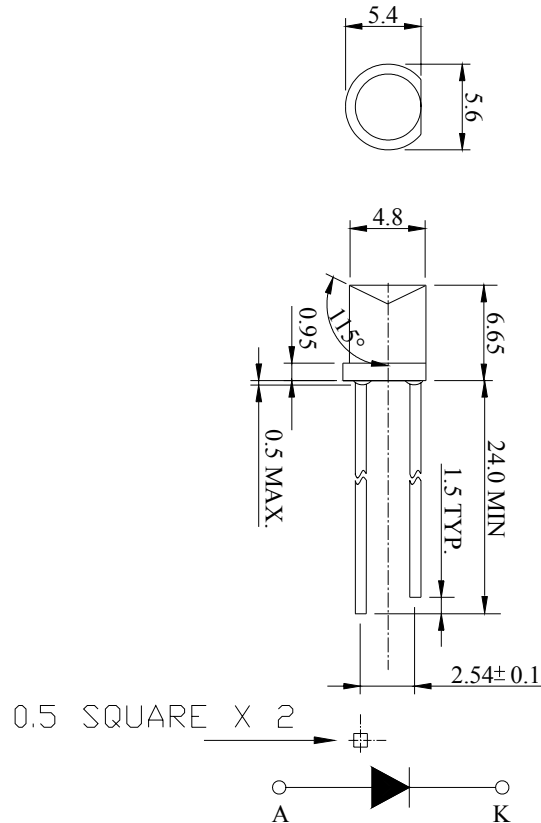
Tung

Yang

Haibo

Description

This red lamp is made with GaP/GaP chip and red clear epoxy resin.


Notes:

1. All dimensions are in mm.
2. Tolerance is ± 0.25 mm unless otherwise noted.

Description

Part No.	LED Chip		Lens Color
	Material	Emitting Color	
LT3V14-81	GaP/GaP	Red	Red clear