



LEDTECH ELECTRONICS CORP.

NANYA ROAD, MUGANG ZHAOQING  
CITY GUANGDONG CHINA.

TEL: 86-758-2875541, 2870651, 2877464, 2876185, 2877017

FAX: 86-758-2878014

[Http://www.ledtech.com.tw](http://www.ledtech.com.tw)

# SPECIFICATION

*PART NO. : LT3V31-81*

**4.8mm CYLINDRIC LED LAMP**



Approved by

Checked by

Prepared by

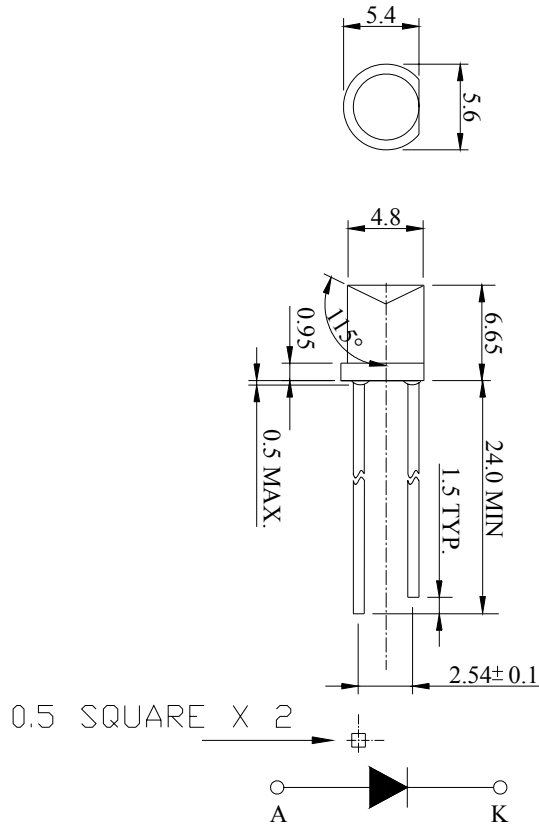
*Tung*

*Yang*

*Haibo*

**Description**

**This yellow lamp is made with GaAsP/GaP chip and yellow diffused epoxy resin.**


**Notes:**

1. All dimensions are in mm.
2. Tolerance is  $\pm 0.25$ mm unless otherwise noted.

**Description**

Part No.	LED Chip		Lens Color
	Material	Emitting Color	
LT3V31-81	GaAsP/GaP	Yellow	Yellow diffused