



LEDTECH ELECTRONICS CORP.

NANYA ROAD, MUGANG ZHAOQING
CITY GUANGDONG CHINA.

TEL: 86-758-2875541, 2870651, 2877464, 2876185, 2877017

FAX: 86-758-2878014

[Http://www.ledtech.com.tw](http://www.ledtech.com.tw)

SPECIFICATION

PART NO.: LY11NB-W-12V-5
Channel Letter LED Board-White



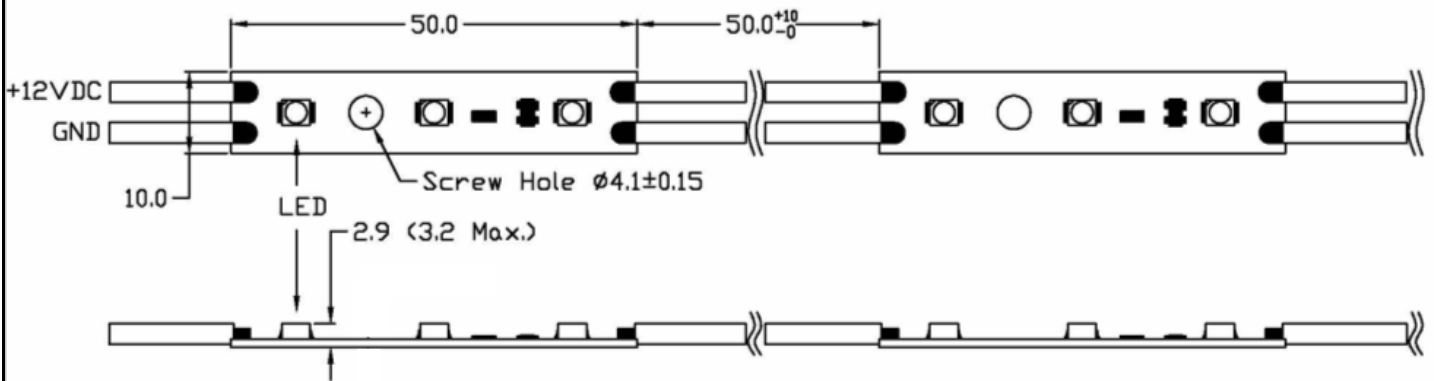
Approved by

Checked by

Prepared by

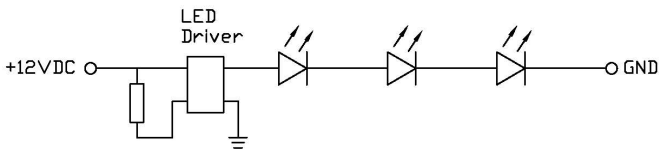
--	--	--

Assembly Drawing:



1. 40pcs Boards Connected
2. All Dimensions are in Millimeters
3. Tolerance is ± 0.5 mm Unless Otherwise Noted

Circuits:



The schematic is for one board

Description:

Part No.	LED Chip		Lens Color
	Material	Emitting Color	
LY11NB-W-12V-5	InGaN	White	Water Clear



LY11NB-W-12V-5

Channel Letter LED
Board-White**Absolute Maximum Ratings at Ta=25 °C (One board):**

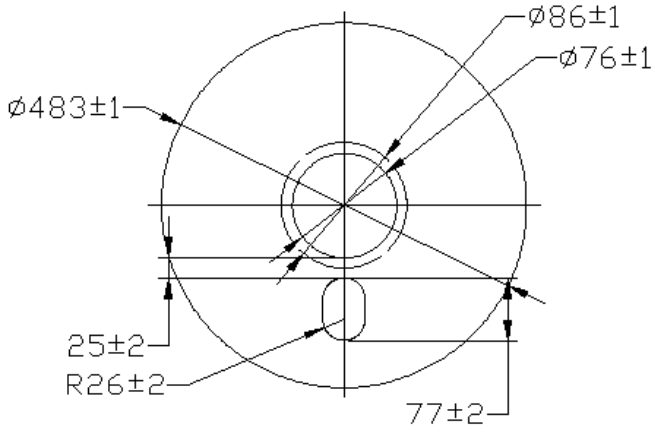
Parameter	Symbol	Rating	Unit
Power Dissipation	P _D	360	mW
D.C. Forward Current	I _f	30	mA
Operating Temperature Range	T _{opr.}	-25 to +85	°C
Storage Temperature Range	T _{stg.}	-40 to +100	°C
Electrostatic discharge (ESD)	ESD	6000	V
Soldering Temperature(1.6mm from body)	T _{sol.}	Dip Soldering: 260°C for 5sec. Hand Soldering: 350°C for 3 sec.	

Electrical and Optical Characteristics (One board):

Parameter	Symbol	Condition	Min.	Typ.	Max.	Unit
Luminous Intensity	Φ _v	V _f =12 VDC	-	7.5	-	lm
Forward Current	I _f	V _f =12 VDC	25	-	30	mA
Correlated Color Temperature	CCT	I _f =20mA	4000	5400	6000	°K
LED Viewing Angle	2 θ 1/2	I _f =20mA		120		deg

Note: The datas was tested by IS tester.

Package:



Reel and Package Assembly into Carton

