



LEDTECH ELECTRONICS CORP.

NANYA ROAD, MUGANG ZHAOQING
CITY GUANGDONG CHINA.

TEL: 86-758-2875541, 2870651, 2877464, 2876185, 2877017

FAX: 86-758-2878014

[Http://www.ledtech.com.tw](http://www.ledtech.com.tw)

SPECIFICATION

PART NO. : LY11GD-HB3-012

RIGID STRIP



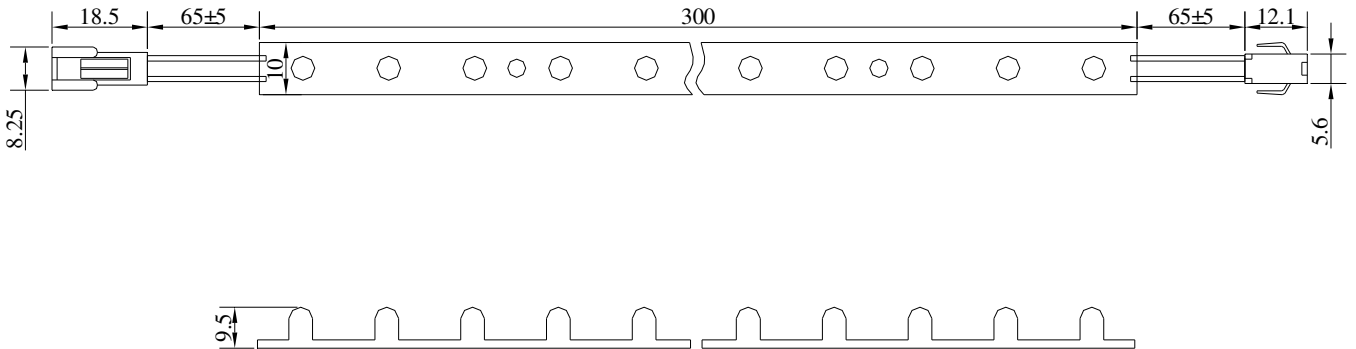
Approved by

Checked by

Prepared by

--	--	--

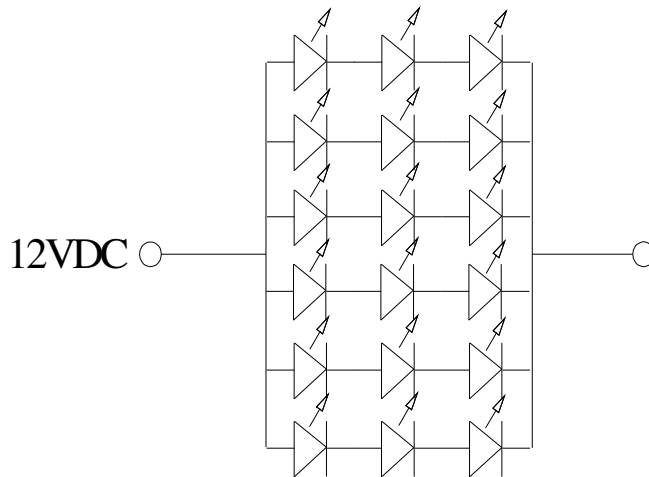
Package Dimensions



Notes:

1. ALL DIMENSIONS ARE IN mm.
2. TOLERANCE IS ±0.5mm UNLESS OTHERWISE NOTED.

Circuits



Description

Part No.	LED Chip		Lens Color
	Material	Emitting Color	
LY11GD-HB3-012	InGaN/Sapphire	Blue	Water clear

Absolute Maximum Ratings at Ta=25 °C

Parameter	Symbol	Rating	Unit
Power Dissipation	P _D	2160	mW
D.C. Forward Current	I _f	180	mA
Operating Temperature Range	T _{opr.}	-25 to +85	°C
Storage Temperature Range	T _{stg.}	-40 to +100	°C
Lead Soldering Temp. (1.6mm from body) for 5 seconds	T _{sol.}	260	°C
Electrostatic discharge	ESD	6000	V

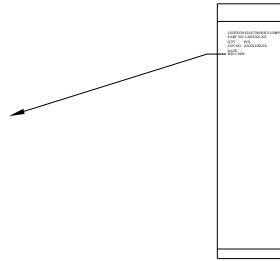
Electrical and Optical Characteristics:

Parameter	Symbol	Condition	Min.	Typ.	Max.	Unit
Luminous Intensity	E	V _f =12V	300	410		Lux
Forward Current	I _f	V _f =12V	90		120	mA
Dominant Wavelength	λ _D	I _f =20mA		465		nm
Viewing Angle	VERTICAL	2 θ 1/2	I _f =20mA		40	deg
	HORIZONTAL				70	

ENCASED TYPE

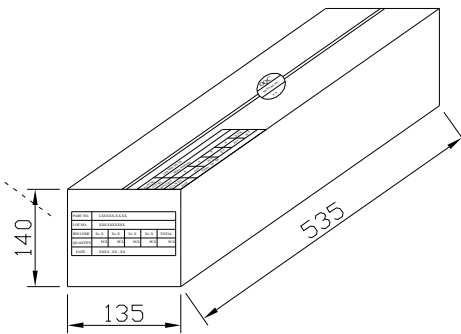
PLASTIC PACKAGE
QUANTITY: 1 PCS

LEDTECH ELECTRONICS CORP.					
PART NO :LXXXXX-XX					
QTY	:	PCS			
LOT NO	:	XXXXXXXXXX			
DATE	:				
BIN CODE:					



INNER BOX
QUANTITY: PACKETS
TOTAL: PCS

PART NO.	LXXXXX-XX-XX				
LOT NO.	XXXXXXXXXX				
BIN CODE	Xx X	Xx X	Xx X	Xx X	TOTAL
QUANTITY	PCS	PCS	PCS	PCS	PCS
DATE	XXXX , XX , XX				



OUTER CARTON
QUANTITY: 4 BOX
TOTAL: PCS

C/T NO. 箱 號	XX
PART NO. 料 號	LXXXXX-XX-XX
QUANTITY 數 量	PCS
N.W. 淨 重	KGS
G.W. 毛 重	KGS
REMARK 備 註	

