



LEDTECH ELECTRONICS CORP.

NANYA ROAD, MUGANG ZHAOQING  
CITY GUANGDONG CHINA.

TEL: 86-758-2875541, 2870651, 2877464, 2876185, 2877017

FAX: 86-758-2878014

[Http://www.ledtech.com.tw](http://www.ledtech.com.tw)

# SPECIFICATION

*PART NO.* : LY11K9-RGB-024  
24VDC 12 LED RGB 200MM F-PCB



**ATTENTION**  
OBSERVE PRECAUTION  
FOR HANDLING  
ELECTRO STATIC  
SENSITIVE  
DEVICES

Approved by

Checked by

Prepared by

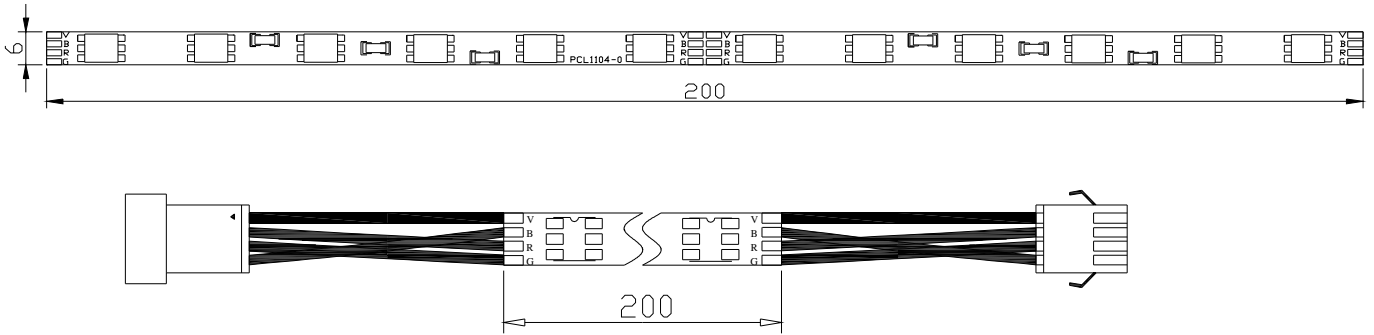
董建成

岳克強

武風軍

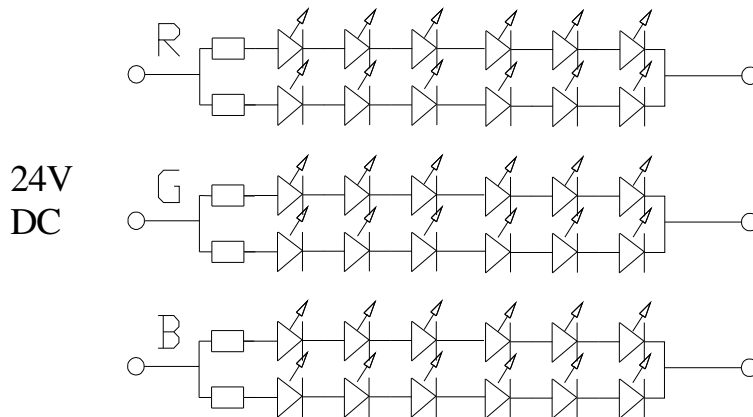


**Assembly drawing**



1. All dimensions are in millimeters
2. Tolerance is  $\pm 0.5$  mm unless otherwise noted

**Circuits**



**Description**

Part No.	LED Chip		Lens Color
	Material	Emitting Color	
LY11K9-RGB-024	AlGaInP	Hyper Red	Water Clear
	InGaN/Sapphire	True Green	
	InGaN/Sapphire	Blue	



LY11K9-RGB-024

24VDC 12 LED RGB  
200MM F-PCB**Absolute Maximum Ratings at Ta=25 °C**

Parameter	Symbol	Rating	Unit
Power Dissipation	P <sub>D</sub>	3390	mW
D.C. Forward Current	I <sub>F</sub>	120	mA
Operating Temperature Range	T <sub>opr.</sub>	-25 to +85	°C
Storage Temperature Range	T <sub>stg.</sub>	-40 to +100	°C
Electrostatic discharge	ESD	6000	V
Soldering Temperature(1.6mm from body)	T <sub>sol.</sub>	Dip Soldering: 260°C for 5sec	

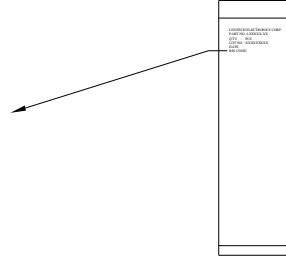
**Electrical and Optical Characteristics:**

Parameter		Symbol	Condition	Min.	Typ.	Max.	Unit
Luminous Intensity	Red	I <sub>v</sub>	I <sub>f</sub> =24V.	4200	6600		mcd
	Green	I <sub>v</sub>	I <sub>f</sub> =24V.	6120	10440		mcd
	Blue	I <sub>v</sub>	I <sub>f</sub> =24V.	3024	5040		mcd
Forward Current	Red	I <sub>f</sub>	I <sub>f</sub> =24v		30	40	ma
	Green	I <sub>f</sub>	I <sub>f</sub> =24v		30	40	ma
	Blue	I <sub>f</sub>	I <sub>f</sub> =24v		30	40	ma
Peak Wavelength	Red	λ <sub>d</sub>	I <sub>f</sub> =20mA		625		nm
	Green	λ <sub>d</sub>	I <sub>f</sub> =20mA	520		525	nm
	Blue	λ <sub>d</sub>	I <sub>f</sub> =20mA		470		nm
Spectrum Line Halfwidth	Red	Δλ	I <sub>f</sub> =20mA		20		nm
	Green	Δλ	I <sub>f</sub> =20mA		35		nm
	Blue	Δλ	I <sub>f</sub> =20mA		26		nm

**ENCASED TYPE**

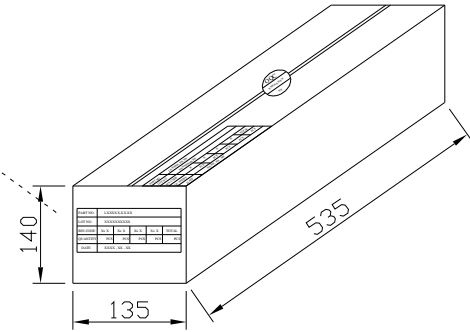
PLASTIC PACKAGE  
QUANTITY: 1 PCS

LEDTECH ELECTRONICS CORP.	
PART NO :LXXXXX-XX	
Q'TY	: PCS
LOT NO	:XXXXXXXXXX
DATE	:
BIN CODE:	



INNER BOX  
QUANTITY:       PACKETS  
TOTAL:           PCS

PART NO.	LXXXXX-XX-XX				
LOT NO.	XXXXXXXXXX				
BIN CODE	Xx X	Xx X	Xx X	Xx X	TOTAL
QUANTITY	PCS	PCS	PCS	PCS	PCS
DATE	XXXX , XX , XX				



OUTER CARTON  
QUANTITY: 4 BOX  
TOTAL:       PCS

C/T NO. 箱 號	XX
PART NO. 料 號	LXXXXX-XX-XX
QUANTITY 數 量	PCS
	KGS
	KGS

