



LEDTECH ELECTRONICS CORP.

NANYA ROAD, MUGANG ZHAOQING
CITY GUANGDONG CHINA.

TEL: 86-758-2875541, 2870651, 2877464, 2876185, 2877017

FAX: 86-758-2878014

[Http://www.ledtech.com.tw](http://www.ledtech.com.tw)

SPECIFICATION

PART NO. : LFD024RGB-003-1
24VDC 6 LEDS RGB 100mm F-PCB



Approved by

Checked by

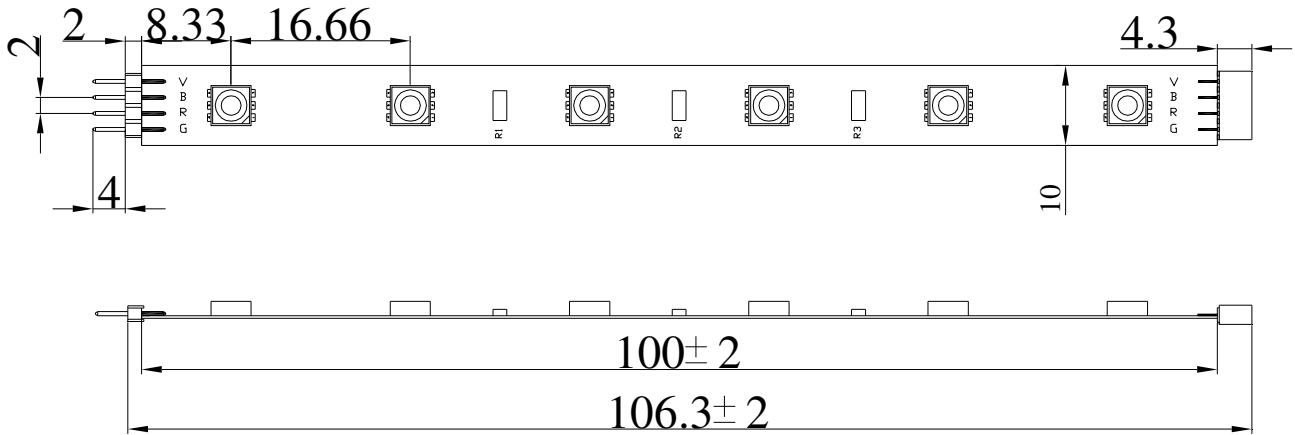
Prepared by

Tung

Yang

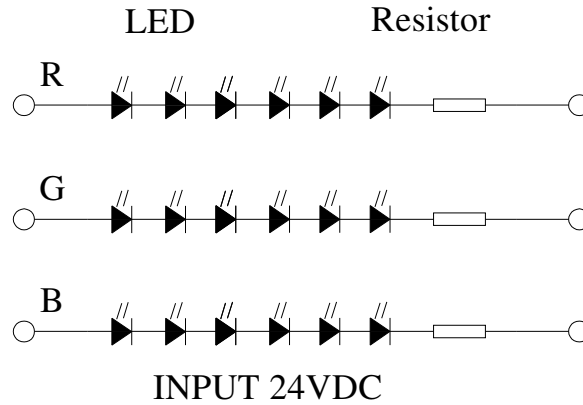
Sean

Assembly drawing



1. All dimensions are in millimeters.
2. Tolerance is ± 0.5 mm unless otherwise noted.
3. The Male And Female Black Connector On Strip Terminals.
4. Operation voltage 24VDC.

Circuits



Description

Part No.	LED Chip		Lens Color
	Material	Emitting Color	
LFD024RGB-003-1	AlGaInP	Super red	Water Clear
	InGaN	True green	
	InGaN	Blue	



LFD024RGB-003-1

24VDC 6 LEDS RGB
100mm F-PCB**Absolute Maximum Ratings at Ta=25 °C**

Parameter	Symbol	Rating	Unit
Power Dissipation	P _D	2.25	W
D.C. Forward Current	I _F	75	mA
Operating Temperature Range	T _{opr.}	-25 to +85	°C
Storage Temperature Range	T _{stg.}	-40 to +100	°C
Electrostatic discharge	ESD	6000	V
Soldering Temperature(1.6mm from body)	T _{sol.}	Dip Soldering: 260°C for 5sec Hand soldering: 350°C for 3sec	

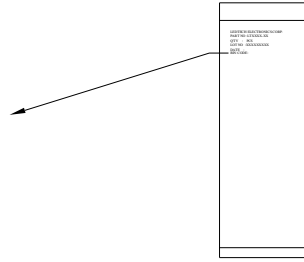
Electrical and Optical Characteristics:

Parameter		Symbol	Condition	Min.	Typ.	Max.	Unit
Luminous Intensity (Per LED)	Red	I _v	I _f =20mA	75.6	150		mcd
	Green			150	350		
	Blue			80.0	200		
Forward Current	Red	I _f	V _{in} =24V		20	25	mA
	Green				20	25	
	Blue				20	25	
Dominant Wavelength (Per LED)	Red	λ _D	I _f =20mA		630		nm
	Green				520		
	Blue				465		
Viewing Angle (Per LED)	Red	2 θ 1/2	I _f =20mA		120		deg
	Green				120		
	Blue				120		

ENCASED TYPE

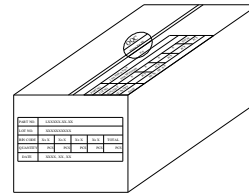
PLASTIC PACKAGE
QUANTITY: 1 PCS

LEDTECH ELECTRONICS CORP.
PART NO :LTXXXX-XX
Q'TY : PCS
LOT NO :XXXXXXXX
DATE :
BIN CODE: IV: X Coordinates: X



INNER BOX
QUANTITY: PACKETS
TOTAL: PCS

PART NO.	LXXXXX-XX-XX				
LOT NO.	XXXXXXXXXX				
BIN CODE	Xx X	Xx X	Xx X	Xx X	TOTAL
QUANTITY	PCS	PCS	PCS	PCS	PCS
DATE	XXXX, XX, XX				



OUTER CARTON
QUANTITY: x BOX
TOTAL: PCS

C/T NO. 箱 號	XX
PART NO. 料 號	LXXXXX-XX-XX
QUANTITY 數 量	PCS
N.W. 淨 重	KGS
G.W. 毛 重	KGS
REMARK 備 註	

