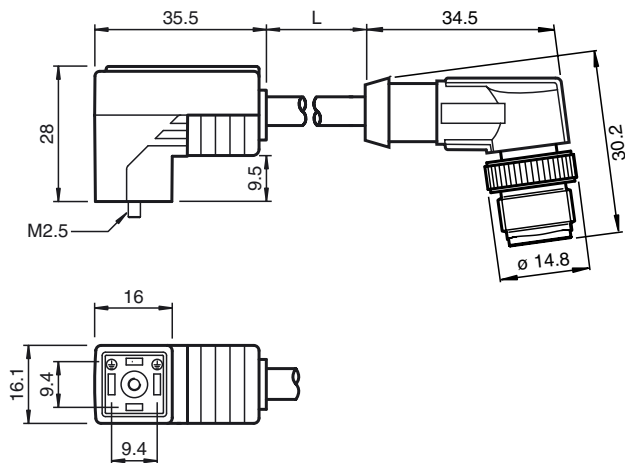




**Dimensions**



**Model Number**

**VMCI-2+P/Z2-0,3M-PVC-V1-W-Y**

Valve connector, Form C (Ind) on M12, 2+PE, LED, Z diode, PVC cable

**Features**

- Valve connector according EN 175301-803 A/ISO 4400 (previously DIN 43650)
- Suitable for F31K and F31K2 double sensors
- Z diode as a protective circuit
- Built-in LED, as operating and function indicator
- Moulded seal
- freely selectable cable models due to bridged protective earth
- Flame resistant cable

**Technical data**

**General specifications**

Number of pins	2 + PE
Connection 1	Valve connector industrial version
Construction type 1	right angle
Connection 2	Male connector
Construction type 2	right angle
Threading 2	M12

**Indicators/operating means**

LED yellow	Functional display
------------	--------------------

**Electrical specifications**

Operating voltage	U <sub>B</sub>	24 V AC/DC
Operating current		max. 4 A
Volume resistance		< 5 mΩ

**Ambient conditions**

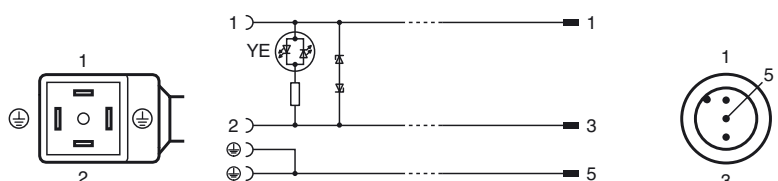
Ambient temperature	Body: -20 ... 85 °C (-4 ... 185 °F) cable, flexing: -5 ... 80 °C (23 ... 176 °F) cable, fixed: -40 ... 80 °C (-40 ... 176 °F)
---------------------	---

Pollution Degree	3
------------------	---

**Mechanical specifications**

Protection degree	IP65/IP67
Connection	Valve connector Form C (Ind)
<b>Material</b>	
Contacts	CuSn
Contact surface	Sn
Body	TPU, black
Cable	PVC
Core insulation	PVC
<b>Cable</b>	
Sheath diameter	Ø 4.8 mm
Bending radius	> 5 x cable diameter > 10 x cable diameter, fixed
Color	black
Cores	3 x 0.5 mm <sup>2</sup> , 20 AWG
Conductor construction	28 x 0.15 mm Ø
Length	L 0.3 m

**Electrical connection**



Release date: 2013-03-26 17:22 Date of issue: 2013-04-08 247589\_eng.xml

Subject to modifications without notice

Pepperl+Fuchs Group  
www.pepperl-fuchs.com

USA: +1 330 486 0001  
fa-info@us.pepperl-fuchs.com

Germany: +49 621 776-4411  
fa-info@pepperl-fuchs.com

Copyright Pepperl+Fuchs  
Singapore: +65 6779 9091  
fa-info@sg.pepperl-fuchs.com