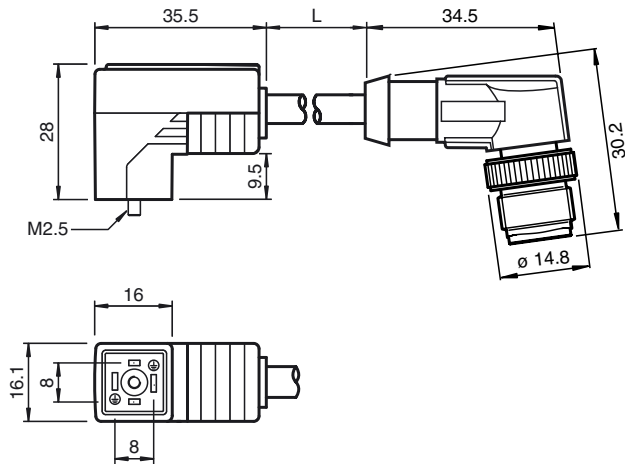




Dimensions



Model Number

VMC-2+P/Z2-0,3M-PVC-V1-W-Y

Valve connector, Form C on M12, 2+PE, LED, Z diode, PVC cable

Features

- Valve connector according EN 175301-803 A/ISO 4400 (previously DIN 43650)
- Suitable for F31K and F31K2 double sensors
- Z diode as a protective circuit
- Built-in LED, as operating and function indicator
- Moulded seal
- freely selectable cable models due to bridged protective earth
- Flame resistant cable

Technical data

General specifications

| | |
|---------------------|---------------------|
| Number of pins | 2 + PE |
| Connection 1 | Valve connector DIN |
| Construction type 1 | right angle |
| Connection 2 | Male connector |
| Construction type 2 | right angle |
| Threading 2 | M12 |

Indicators/operating means

| | |
|------------|--------------------|
| LED yellow | Functional display |
|------------|--------------------|

Electrical specifications

| | | |
|-------------------|----------------|------------|
| Operating voltage | U _B | 24 V AC/DC |
| Operating current | | max. 4 A |
| Volume resistance | | < 5 mΩ |

Ambient conditions

| | |
|---------------------|---|
| Ambient temperature | Body: -20 ... 85 °C (-4 ... 185 °F) cable, flexing: -5 ... 80 °C (23 ... 176 °F) cable, fixed: -40 ... 80 °C (-40 ... 176 °F) |
|---------------------|---|

| | |
|------------------|---|
| Pollution Degree | 3 |
|------------------|---|

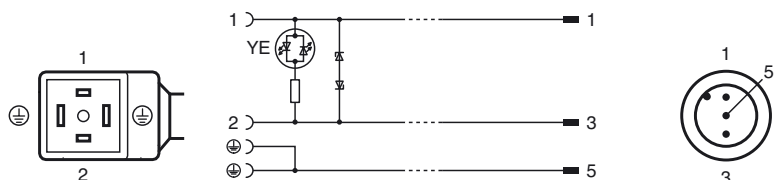
Mechanical specifications

| | |
|-------------------|------------------------|
| Protection degree | IP65/IP67 |
| Connection | Valve connector Form C |

Material

| | |
|------------------------|--|
| Contacts | CuSn |
| Contact surface | Sn |
| Body | TPU, black |
| Cable | PVC |
| Core insulation | PVC |
| Cable | |
| Sheath diameter | Ø 4.8 mm |
| Bending radius | > 5 x cable diameter > 10 x cable diameter, fixed |
| Color | black |
| Cores | 3 x 0.5 mm ² , 20 AWG |
| Conductor construction | 28 x 0.15 mm Ø |
| Length | L 0.3 m |

Electrical connection



Release date: 2013-03-26 17:22 Date of issue: 2013-04-08 247588_eng.xml

Subject to modifications without notice

Pepperl+Fuchs Group
www.pepperl-fuchs.com

USA: +1 330 486 0001
fa-info@us.pepperl-fuchs.com

Germany: +49 621 776-4411
fa-info@pepperl-fuchs.com

Copyright Pepperl+Fuchs
Singapore: +65 6779 9091
fa-info@sg.pepperl-fuchs.com