



Model Number

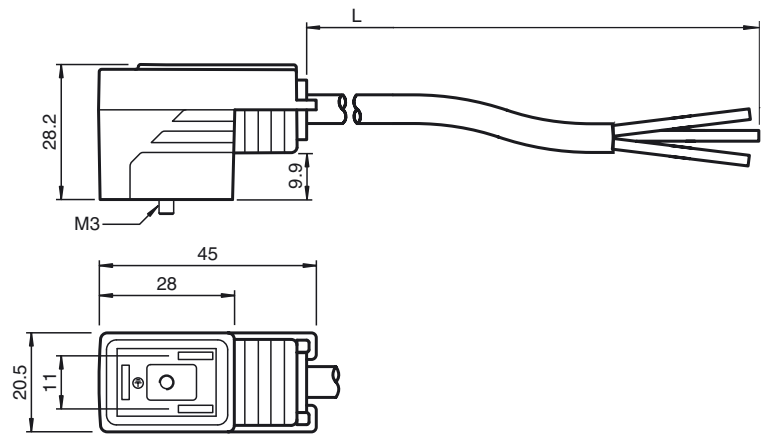
VMBI-2+PR/Z2-2,5M-PUR

Valve connector cordset, Form B,
2+PE, Z-diode, PUR cable

Features

- Valve connector according EN 175301-803 A/ISO 4400 (previously DIN 43650)
- Z diode as a protective circuit
- Built-in LED, as operating and function indicator
- Moulded seal
- Flame resistant cable
- Halogen-free
- UL Recognized Component

Dimensions



Technical data

General specifications

| | |
|---------------------|------------------------------------|
| Number of pins | 2 + PE |
| Connection 1 | Valve connector industrial version |
| Construction type 1 | right angle |
| Connection 2 | cable end |

Indicators/operating means

| | |
|------------|--------------------|
| LED yellow | Functional display |
|------------|--------------------|

Electrical specifications

| | | |
|-------------------|-------|----------------|
| Operating voltage | U_B | 24 V AC/DC |
| Operating current | | max. 4 A |
| Volume resistance | | < 5 m Ω |

Ambient conditions

| | |
|---------------------|--|
| Ambient temperature | Body: -20 ... 85 °C (-4 ... 185 °F) cable, flexing: -20 ... 80 °C (-4 ... 176 °F) cable, fixed: -40 ... 80 °C (-40 ... 176 °F) |
| Pollution Degree | 3 |

Mechanical specifications

| | |
|------------------------|--|
| Protection degree | IP65/IP67 |
| Connection | Valve connector Form B (Ind) |
| Material | |
| Contacts | CuSn |
| Contact surface | Sn |
| Body | TPU, black |
| Cable | PUR |
| Core insulation | PP |
| Cable | |
| Sheath diameter | \varnothing 4.5 mm |
| Bending radius | > 50 mm > 22.5 mm, fixed |
| Color | dark grey (RAL 7021) |
| Cores | (2 + 1) x 0.5 mm ² ; 20 AWG |
| Conductor construction | 28 x 0.15 mm \varnothing |
| Length | L 2.5 m |

Approvals and certificates

| | |
|-------------|-------------------------|
| UL approval | cURus AWM 20549 (cable) |
|-------------|-------------------------|

Electrical connection

