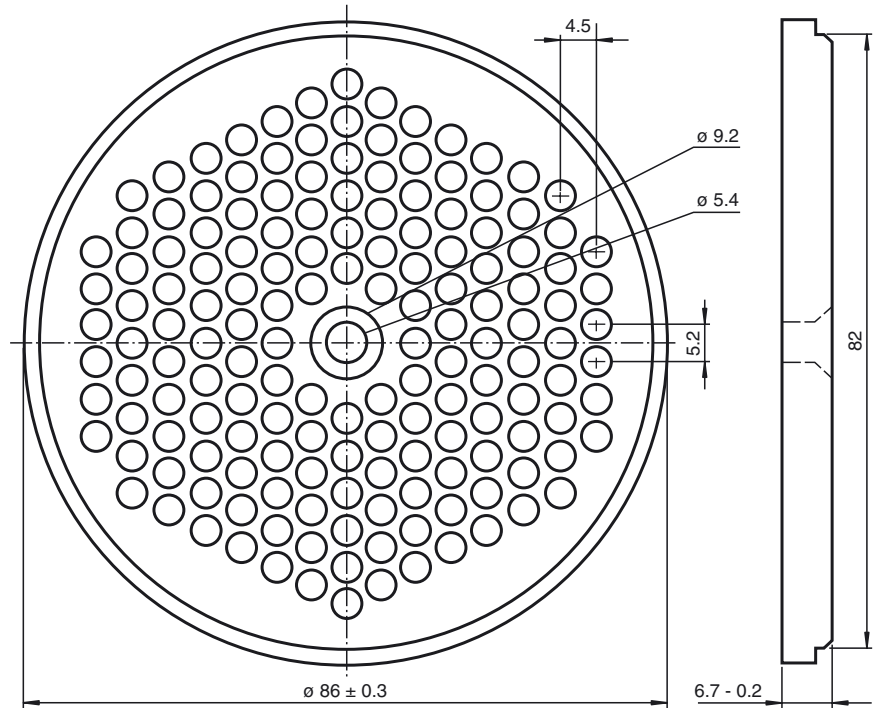




Dimensions



Model Number

REF-CH85HT

Reflector, round \varnothing 85 mm, central mounting hole

Features

- Specially resistant to scratching and knocks
- Heat resistant up to 140 °C (284 °F)

suitable for photoelectric sensor without polarization filter

Technical data

General specifications

Construction type circular

Ambient conditions

Ambient temperature -40 ... 140 °C (-40 ... 284 °F)

Mechanical specifications

Material Glass / HYTREL
 Dimensions Diameter: 82 mm
 Mounting mounting holes

Release date: 2014-06-03 08:25 Date of issue: 2014-06-03 195300_eng.xml

Refer to "General Notes Relating to Pepperl+Fuchs Product Information".

Pepperl+Fuchs Group
 www.pepperl-fuchs.com

USA: +1 330 486 0001
 fa-info@us.pepperl-fuchs.com

Germany: +49 621 776 4411
 fa-info@de.pepperl-fuchs.com

Singapore: +65 6779 9091
 fa-info@sg.pepperl-fuchs.com