



Model Number

GLP50-RT/40b/102/123/143

Photoelectric slot sensor with 4-pin, M8 x 1 connector

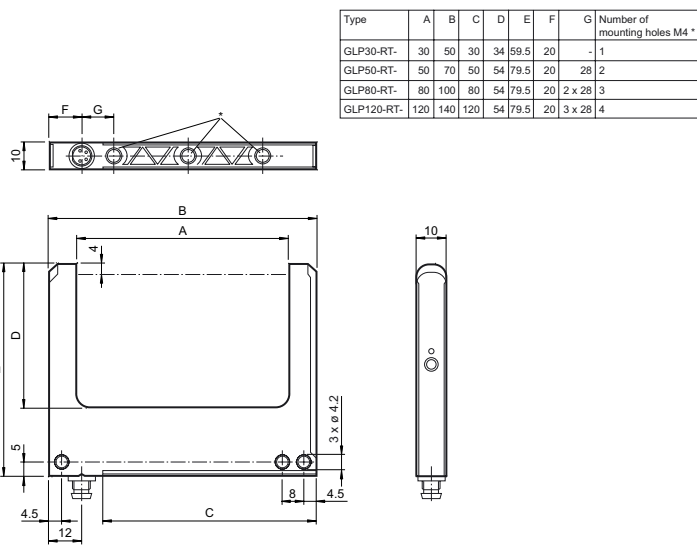
Features

- Plastic version
- Clearly visible function indicators
- External TEACH-IN
- Degree of protection IP67

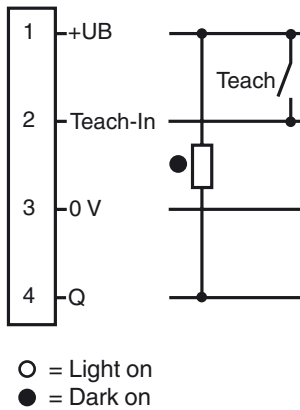
Product information

An extremely favorable price/performance ratio and an innovative display concept characterize the GLP series. The switching states are visible from all directions. The optional attachment holes or dove tail joint significantly increase installation flexibility. The external, dynamic Teach-In function allows you to teach in moving objects easily.

Dimensions



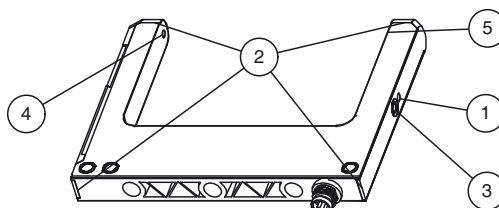
Electrical connection



Pinout



Indicators/operating means



| | | |
|---|-------------------|--------|
| 1 | Operating display | green |
| 2 | Signal display | yellow |
| 3 | TEACH-IN button | |
| 4 | Emitter | |
| 5 | Receiver | |

Release date: 2015-01-19 09:49 Date of issue: 2015-01-19 210604_eng.xml

Refer to "General Notes Relating to Pepperl+Fuchs Product Information".

Pepperl+Fuchs Group
www.pepperl-fuchs.com

USA: +1 330 486 0001
fa-info@us.pepperl-fuchs.com

Germany: +49 621 776 4411
fa-info@de.pepperl-fuchs.com

Singapore: +65 6779 9091
fa-info@sg.pepperl-fuchs.com

Technical data**General specifications**

| | |
|---------------------|-----------------------------|
| Light source | LED , 640 nm pulsing |
| Light type | modulated visible red light |
| Object size | min. 0.5 mm |
| Slot width | 50 mm |
| Ambient light limit | 10000 Lux |

Indicators/operating means

| | |
|--------------------|--|
| Function indicator | LED yellow , lit when the light beam is interrupted LED green: ready |
| Control elements | Teach-In key , Sensitivity adjustment and Mode adjustment (NO/NC) |

Electrical specifications

| | | |
|------------------------|-------|----------------|
| Operating voltage | U_B | 10 ... 30 V DC |
| Ripple | | 10 % |
| No-load supply current | I_0 | ≤ 30 mA |

Input

| | |
|----------------|-------------------|
| Function input | external Teach-In |
|----------------|-------------------|

Output

| | | |
|---------------------|---|---------|
| Switching type | light/dark on | |
| Signal output | 1 NPN short-circuit protected, reverse polarity protected, open collector | |
| Switching voltage | max. 30 V DC | |
| Switching current | max. 100 mA | |
| Voltage drop | U_d | ≤ 2.4 V |
| Switching frequency | f | 2000 Hz |
| Response time | | 0.25 ms |

Ambient conditions

| | |
|---------------------|-------------------------------|
| Ambient temperature | -20 ... 60 °C (-4 ... 140 °F) |
| Storage temperature | -20 ... 80 °C (-4 ... 176 °F) |

Mechanical specifications

| | |
|----------------------|---------------------|
| Degree of protection | IP67 |
| Connection | M8 connector, 4-pin |
| Material | |
| Housing | PC |
| Optical face | plastic |
| Mass | 30 g |

Compliance with standards and directives

| | |
|---------------------|---|
| Standard conformity | |
| Product standard | EN 60947-5-2:2007 IEC 60947-5-2:2007 |

Approvals and certificates

| | |
|------------------|-------|
| Protection class | II |
| UL approval | cULus |

Accessories**OMH-K03**

dove tail mounting clamp

V31-WM-2M-PUR

Female cordset, M8, 4-pin, PUR cable

V31-GM-2M-PUR

Female cordset, M8, 4-pin, PUR cable

Other suitable accessories can be found at www.pepperl-fuchs.com