



Model Number

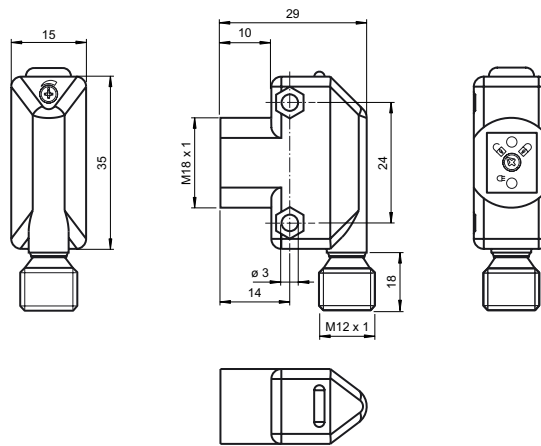
ML17-LL-K/73/136

Fiber optic sensor
with 4-pin, M12 x 1 plastic connector

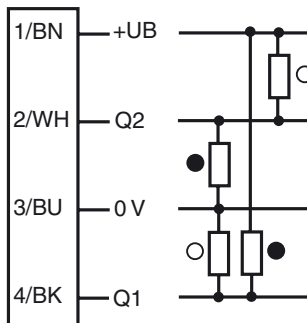
Features

- Miniature design
- Ultra bright LEDs for power on and switching state
- Quick attachment of plastic fiber optic cable
- Adjustable sensitivity
- Front mounting with M18-threads or side mounting holes
- Compact, versatile housing
- 360° visibility ultra bright status LEDs

Dimensions

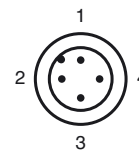


Electrical connection

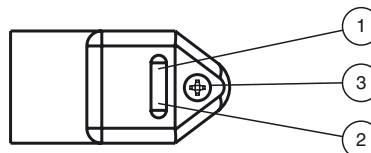


○ = Light on
● = Dark on

Pinout



Indicators/operating means



1	Signal display	yellow
2	Operating display	green
3	Sensitivity adjustment	

Release date: 2011-12-08 16:57 Date of issue: 2011-12-08 909473_eng.xml

Subject to modifications without notice

Pepperl+Fuchs Group
www.pepperl-fuchs.com

USA: +1 330 486 0001
fa-info@us.pepperl-fuchs.com

Germany: +49 621 776-4411
fa-info@pepperl-fuchs.com

Copyright Pepperl+Fuchs
Singapore: +65 6779 9091
fa-info@sg.pepperl-fuchs.com

Technical data**General specifications**

Effective detection range	depends on the fiber optic cable being used
Light source	LED
Light type	modulated visible red light , 670 nm
Ambient light limit	≤ 10000 Lux

Indicators/operating means

Operating display	LED green, statically lit : Power on green LED , flashing: Short circuit/overload indication
Function display	LED yellow, lights up when light beam is free, flashes when falling short of the stability control
Controls	sensitivity adjustment

Electrical specifications

Operating voltage	U_B	10 ... 30 V DC , class 2
Ripple		± 10 %
No-load supply current	I_0	< 25 mA
Time delay before availability	t_v	≤ 100 ms

Output

Switching type	light/dark on
Signal output	2 Push-pull outputs, short-circuit protected, reverse polarity protection, overvoltage protected
Switching voltage	max. 30 V DC
Switching current	max 100 mA per output

Voltage drop	U_d	≤ 2.5 V DC
Switching frequency	f	500 Hz
Response time		≤ 1 ms

Ambient conditions

Ambient temperature	-20 ... 55 °C (-4 ... 131 °F)
Storage temperature	-20 ... 75 °C (-4 ... 167 °F)

Mechanical specifications

Protection degree	IP67
Connection	4-pin, M12 plastic connector
Material	
Housing	ABS
Optical face	Acrylic
Mass	9 g

Compliance with standards and directives

Standard conformity	
Product standard	EN 60947-5-2:2007 IEC 60947-5-2:2007

Approvals and certificates

UL approval	cULus
CCC approval	Products with a maximum operating voltage of ≤36 V do not bear a CCC marking because they do not require approval.

Accessories**KLR-C02-2,2-2,0-K146**

Plastic fiber optic - diffuse

KLR-C02-2,2-2,0-K70

Plastic fiber optic - diffuse

KLR-C02-1,0-2,0-K75

Plastic fiber optic - diffuse

KLR-C09-1,25-2,0-K76

Plastic fiber optic - diffuse

KLR-C09-1,25-2,0-K74

Plastic fiber optic - diffuse

KLR-C16-2,2-2,0-K71

Plastic fiber optic - diffuse

KLR-A32-2,2-2,0-K83

Plastic fiber optic - diffuse

KHR-C02-2,2-2,0-K131

Plastic fiber optic - diffuse

KHTR-C02-2,2-2,0-K88

Plastic fiber optic - diffuse

KLE-C01-2,2-2,0-K116

Plastic fiber optic - thru-beam

KLE-C01-2,2-2,0-K103

Plastic fiber optic - thru-beam

KLE-C01-2,2-2,0-K102

Plastic fiber optic - thru-beam

KLE-C01-2,2-2,0-K100

Plastic fiber optic - thru-beam

KLE-C01-2,2-2,0-K101

Plastic fiber optic - thru-beam

KLE-C01-2,2-2,0-K113

Plastic fiber optic - thru-beam

KLE-C01-1,0-2,0-K120

Plastic fiber optic - thru-beam

KHE-C01-2,2-2,0-K122

Plastic fiber optic - thru-beam

KHTE-C01-2,2-2,0-K118

Plastic fiber optic - thru-beam

Other suitable accessories can be found at www.pepperl-fuchs.com