



CE

Model Number

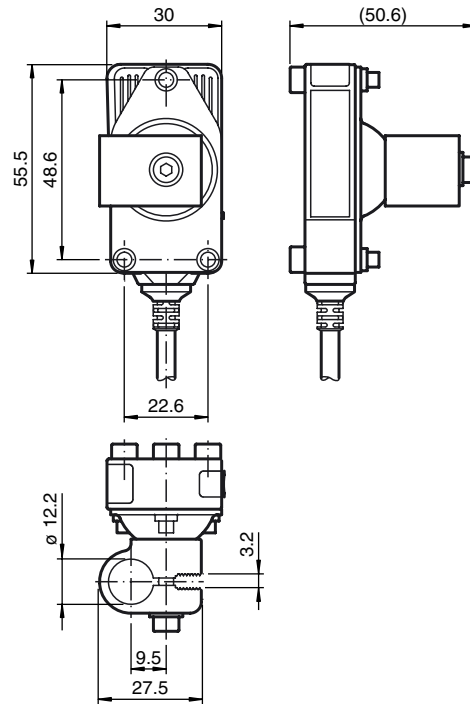
OMH-09

Mounting bracket for Sensors series MLV41 for M12 rod mounting

Features

- Bracket for round steel or sheet

Dimensions



Technical data

Mechanical specifications

Material	Metal sheet (steel), zinc-plated
Mass	approx. 48 g
Mounting	Mounting accessories included

Suitable series

Series	MLV41
--------	-------