



Model Number

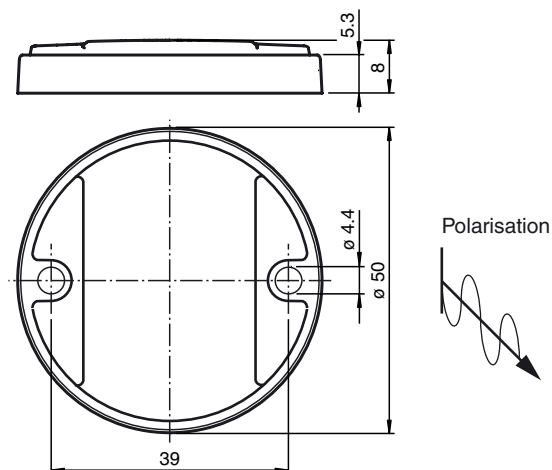
IUC76-50-FR1

Data carrier

Features

- Operating frequency 865 ... 868 MHz
- Complies with EPC Gen2 (ISO/IEC 18000-63)
- Sturdy housing, suitable for rough industrial use
- Optimized for nonconductive surfaces

Dimensions



Technical data

General specifications

| | |
|---------------------|-----------------|
| Operating frequency | 865 ... 868 MHz |
| Polarization | linear |

Memory

| | |
|-------------|--|
| Chip Type | Higgs-3 (Alien) |
| Capacitance | 96 Bit EPC, 512 Bit expanded memory, unique 64 bit fixcode (TID) available |

Ambient conditions

| | |
|---------------------|---------------------------------|
| Ambient temperature | -40 ... 85 °C (-40 ... 185 °F) |
| Storage temperature | -40 ... 100 °C (-40 ... 212 °F) |

Mechanical specifications

| | |
|-------------------|------|
| Protection degree | IP68 |
| Material | |
| Housing | PA 6 |
| Mass | 24 g |

Compliance with standards and directives

| | |
|-------------------------------|-------------------------|
| Directive conformity | |
| R&TTE Directive 1995/5/EC | EN 302208-2:2011 V1.4.1 |
| Standard conformity | |
| Electromagnetic compatibility | EN 302208-2:2011 V1.4.1 |
| Protection degree | EN 60529:2000 |
| RFID | ISO/IEC 18000-63:2013 |