



Model Number

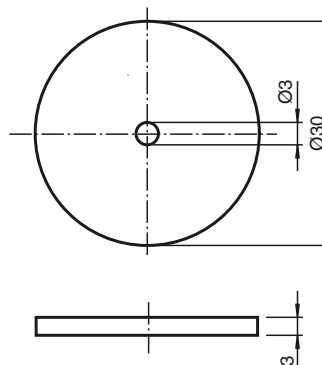
IPC03-30P

Data carrier

Features

- Battery-free data carrier
- 32 bit fixcode
- 928 bits computer memory available
- Readable and writable from both sides
- Mounting holes for simple installation
- Protection degree IP67 / IP68 / IP69K

Dimensions



Technical data

General specifications

Operating frequency	125 kHz
Transfer rate	2 kBit/s

Memory

Chip Type	EM4450 Titan (EM Microelectronic)
Type/Size	EEPROM 928 Bit ROM 32 Bit
Read cycles	unlimited
Write cycles	> 100000
Data retention period	10 years at 55 °C (131 °F)

Ambient conditions

Ambient temperature	-20 ... 100 °C (-4 ... 212 °F)
Storage temperature	-20 ... 100 °C (-4 ... 212 °F)

Mechanical specifications

Protection degree	IP68
Material	
Housing	PC (Polycarbonate)

Compliance with standards and directives

Standard conformity	
Protection degree	EN 60529:2000

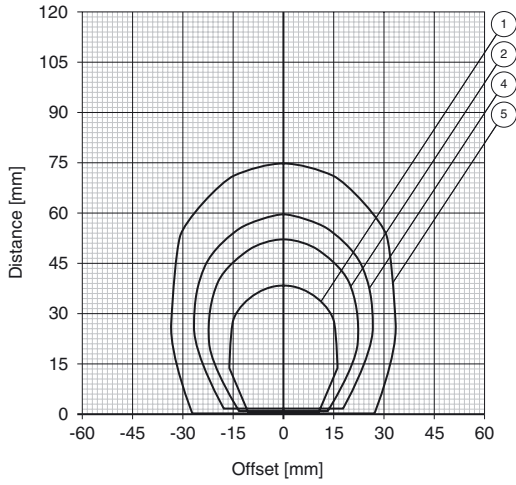
Notes

The transponder can be read and written from either side.

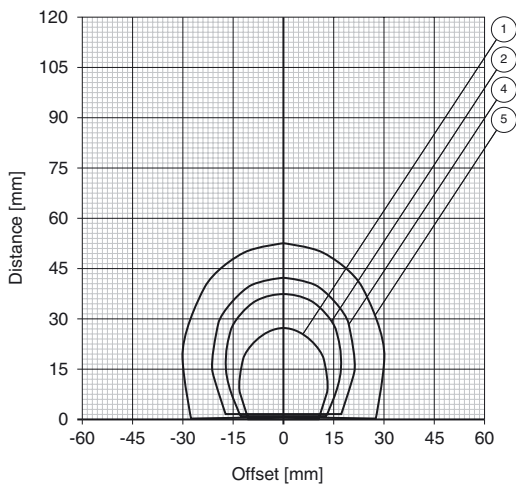
Read/write distances

- ① IPH-18GM-V1 ③ IPH-F61 ⑤ IPH-FP-V1 ⑦ IPT1-FP-V1
- ② IPH-30GM-V1 ④ IPH-L2-V1 ⑥ IPH-F15-V1

Reading range in air IPC03-30..



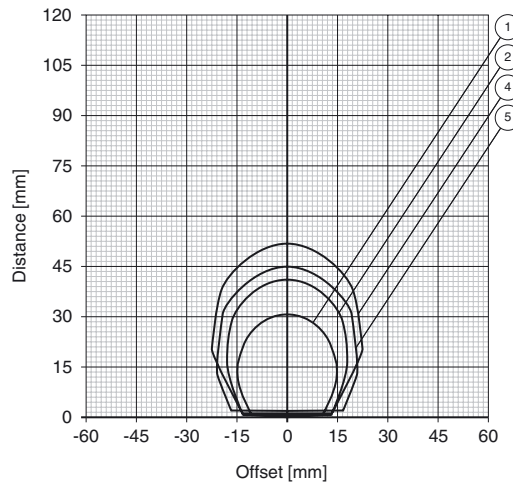
Writing range in air IPC03-30..



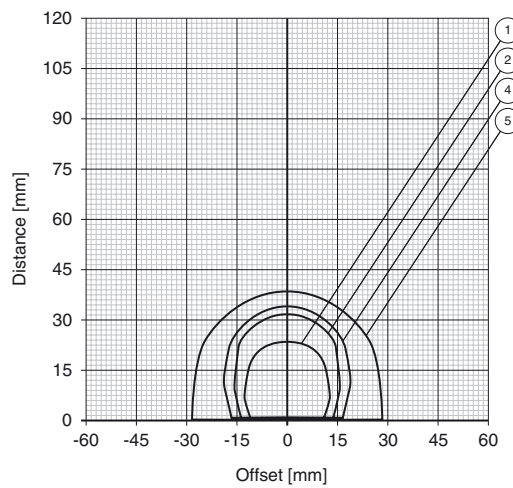
Release date: 2011-11-14 17:27 Date of issue: 2012-02-28 192203_eng.xml



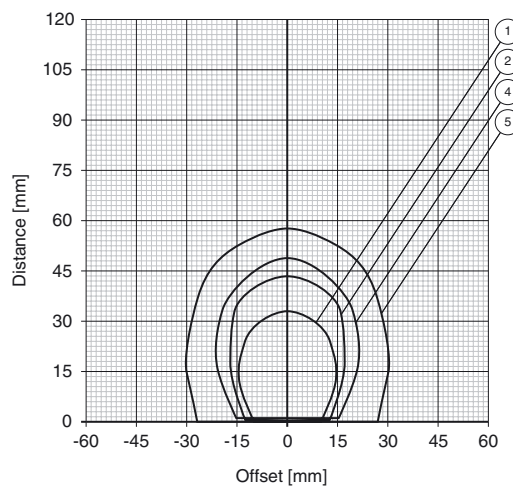
Reading range on aluminium IPC03-30..



Writing range on aluminium IPC03-30..



Reading range on steel IPC03-30..



Release date: 2011-11-14 17:27 Date of issue: 2012-02-28 192203_eng.xml

Subject to modifications without notice

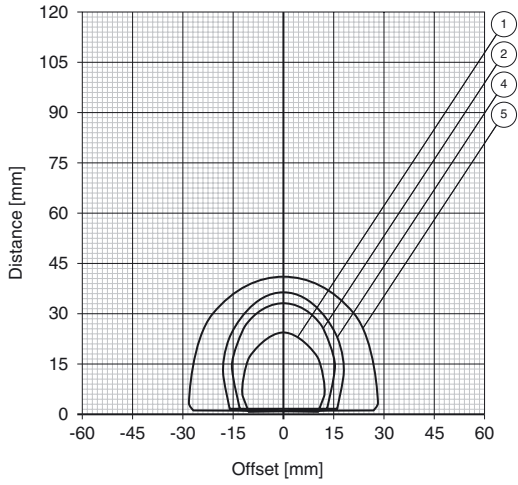
Pepperl+Fuchs Group
www.pepperl-fuchs.com

USA: +1 330 486 0001
fa-info@us.pepperl-fuchs.com

Germany: +49 621 776-4411
fa-info@pepperl-fuchs.com

Copyright Pepperl+Fuchs
Singapore: +65 6779 9091
fa-info@sg.pepperl-fuchs.com

Writing range on steel IPC03-30..



Release date: 2011-11-14 17:27 Date of issue: 2012-02-28 192203_eng.xml