



Model Number

IC-KP2-1HRX-2V1

Control interface unit
IDENTControl Compact
with serial interface

Features

- LED status indicator of bus communication and read/write head

Function

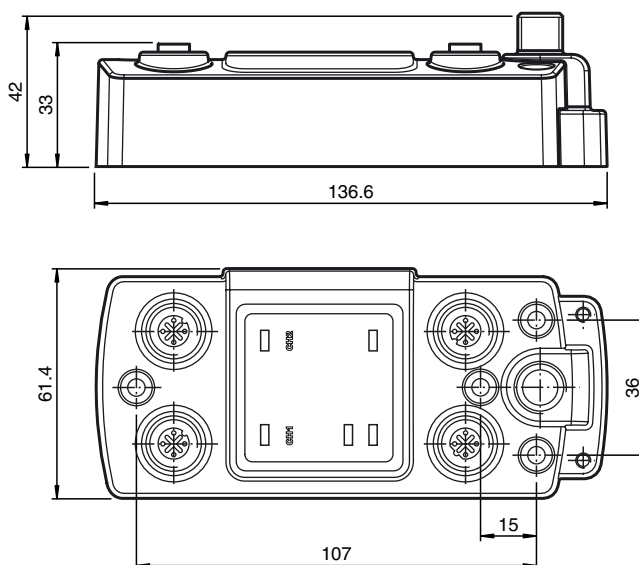
The RFID identification system **IDENTControl Compact** from Pepperl+Fuchs offers a vast number of benefits compared to other systems, thanks to its innovative design. The control interfaces **IDENTControl** and **IDENTControl Compact** make up the core of the system.

With its integrated interfaces to all commercially available fieldbus systems such as PROFIBUS, PROFINET, Ethernet, EtherCAT, CC-Link, serial connections (RS 232 or RS 485) and numerous connection options for read/write heads available for frequency ranges LF, HF and UHF, the **IDENTControl Compact** control interface can be easily and flexibly adapted to your requirements.

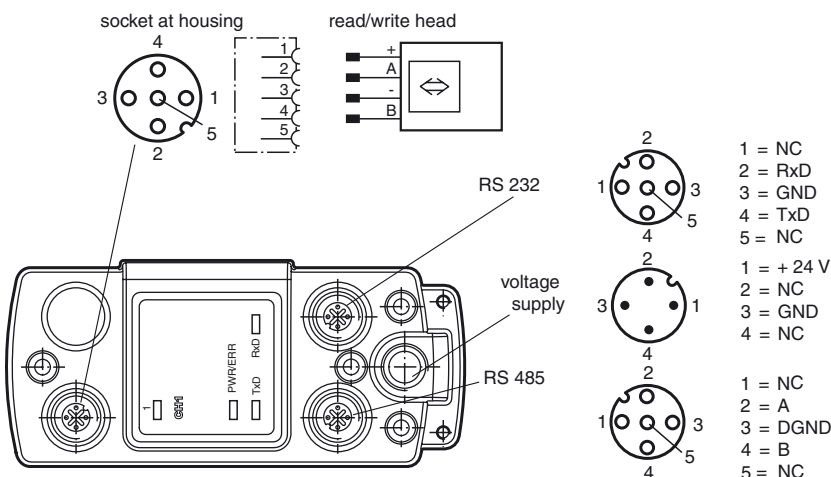
LEDs on the front of the housing indicate bus communication, connected read/write heads and active read/write commands. Reliability of the application is further increased by using trigger sensors.

The system is equally suited for use in control cabinets and field use in IP67. The interface to the higher-level fieldbus is integrated in the housing, and all connections are designed such that they are pluggable. This enables simple installation and quick, problem-free replacement in case of device failure. The consistent EMC design, with metal housing, grounding and shielded wires, offers a high degree of reliability.

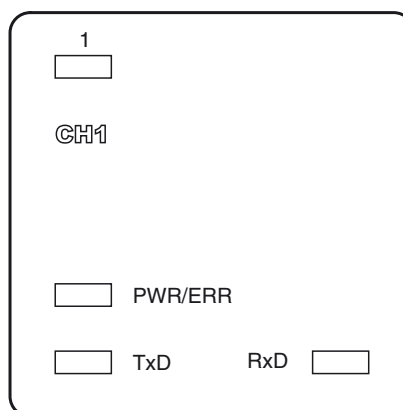
Dimensions



Electrical connection



Indicating / Operating means



Release date: 2013-01-30 10:47 Date of issue: 2013-01-30 204979_eng.xml

Subject to modifications without notice

Pepperl+Fuchs Group
www.pepperl-fuchs.com

USA: +1 330 486 0001
fa-info@us.pepperl-fuchs.com

Germany: +49 621 776-4411
fa-info@pepperl-fuchs.com

Copyright Pepperl+Fuchs
Singapore: +65 6779 9091
fa-info@sg.pepperl-fuchs.com

PEPPERL+FUCHS
SENSING YOUR NEEDS

Technical data**General specifications**

Number of read/write heads	max. 1
UL File Number	E87056

Functional safety related parameters

MTTF _d	160 a
Mission Time (T _M)	10 a
Diagnostic Coverage (DC)	0 %

Indicators/operating means

LED 1	Status indicator for read/write head green: command at read/write head active yellow: approx. 1 second long, if command was successfully executed
LED CH1	green: read head detected red: Configuration error
LED PWR/ERR	green: power on red: Hardware fault
LED TxD	green: flashes in rhythm with the transmitted data
LED RxD	green: flashes in rhythm of receiving data

Electrical specifications

Rated operating voltage	U _e	20 ... 30 V DC , PELV
Ripple		≤ 10 % at 30 V DC
Current consumption		≤ 4 A incl. read/write heads
Power consumption	P ₀	2 W Without read/write head
Electrical isolation		basic insulation acc. to DIN EN 50178, rated insulation voltage of 50 V _{eff}

Interface 1

Interface type	serial
Physical	RS 485
Protocol	ASCII
Transfer rate	1200; 2400; 4800; 9600; 19200; 38400 Bit/s

Interface 2

Interface type	serial
Physical	RS 232
Protocol	ASCII
Transfer rate	1200; 2400; 4800; 9600; 19200; 38400 Bit/s

Ambient conditions

Ambient temperature	-25 ... 70 °C (-13 ... 158 °F)
Storage temperature	-40 ... 85 °C (-40 ... 185 °F)
Climatic conditions	air humidity max. 96 % Salt spray resistant to EN 60068-2-52
Shock and impact resistance	Oscillation (Sine): 5 g, 10 - 1000 Hz to EN 60068-2-6 Shock (Half-sine): 30 g, 11 ms in accordance with EN 60068-2-27

Mechanical specifications

Protection degree	IP67
Connection	read/write head: M12 plug connection, 4-pin, screened, Power supply: M12 connector Protective earth: M4 earthing screw RS 232: M12 plug connection RS 485: M12 connector
Material	
Housing	Powder coated zinc
Installation	screw fixing
Mass	approx. 500 g

Compliance with standards and directives

Directive conformity	
EMC Directive 2004/108/EC	EN 61000-6-2:2006, EN 61000-6-4:2007
Standard conformity	
Protection degree	IEC 60529:2001

Accessories**V1S-G-0,15M-PUR-ABG-SUBD**

Adapter M12 on Sub-D for PC connection with null modem cable

V1-G-5M-PUR-ABG-V1-W

Connecting cable, M12 to M12, PUR cable 4-pin, shielded

V1-G-10M-PUR-ABG-V1-W

Connecting cable, M12 to M12, PUR cable 4-pin, shielded

ICZ-MH05-SACB-8

Mounting aid for DIN rail

RFIDControl

Software for RFID identification systems