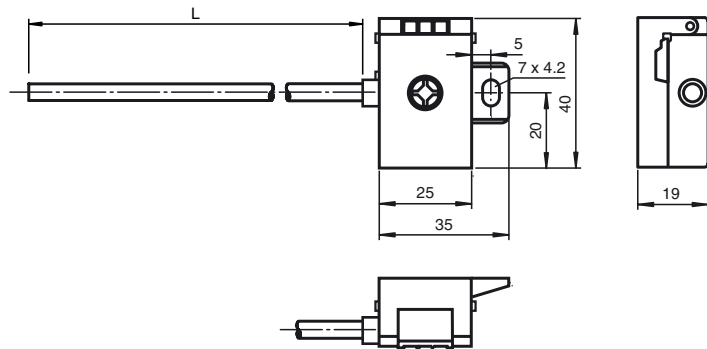




Dimensions



Model number

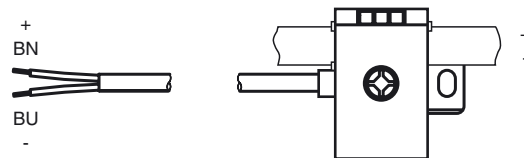
VAZ-T1-FK-2M-PUR-Y256940

Splitter box AS-interface to round cable

Features

- Compact design
- Fixing component with captive screw
- Simple and fast mounting
- Gold plated contacts
- Housing made of fiberglass reinforced plastic
- Polarity reversal protected
- Halogen-free

Electrical connection



Technical data

General specifications

Construction type	Round cable AS-Interface flat cable, terminal compartment
-------------------	--

Electrical specifications

Rated operating voltage	U_e	≤ 35 V PELV (AS-Interface)
Rated operating current	I_e	≤ 4 A
Surge protection	U_o : Over voltage category III, safe isolated power supplies (PELV)	

Ambient conditions

Ambient temperature	-25 ... 75 °C (-13 ... 167 °F)
Storage temperature	-25 ... 85 °C (-13 ... 185 °F)
Pollution Degree	3

Mechanical specifications

Degree of protection	IP67 / IP68 / IP69k	
Connection	AS-Interface flat cable: Insulation penetration technology Round cable: wires with crimp receptacles	
Material		
Housing	PA 66-GF25 Ultramid	
Cable	PUR	
Cable		
Sheath diameter	Ø4.8 mm	
Color	grey	
Cores	2 x 0.34 mm ²	
Length	L	2 m
Mass	90 g	
Tightening torque, fastening screws	1.65 Nm	

Compliance with standards and directives

Standard conformity	
Degree of protection	EN 60529