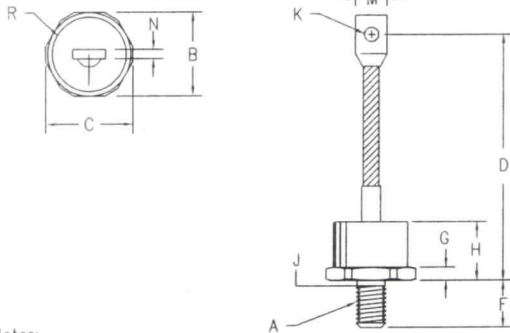


New Jersey Semi-Conductor Products, Inc.

20 STERN AVE.
 SPRINGFIELD, NEW JERSEY 07081
 U.S.A.

TELEPHONE: (973) 376-2922
 (212) 227-6005
 FAX: (973) 376-8960

Silicon Power Rectifier 1N3161 — 1N3177



Notes:

1. Full threads within 2 1/2 threads.
2. Standard Polarity: Stud is Cathode
 Reverse Polarity: Stud is Anode

Dim.	Inches		Millimeter		Notes
	Minimum	Maximum	Minimum	Maximum	
A	3/4-16 UNF		---	---	1
B	1.218	1.250	30.93	31.75	
C	1.350	1.375	34.29	34.93	
D	5.30	5.90	134.62	149.86	
F	.793	.828	20.14	21.03	
G	.300	.325	7.62	8.25	
H	---	.900	---	22.86	
J	.660	.745	16.76	19.02	2
K	.338	.348	8.58	8.84	Dia.
M	.665	.755	16.89	19.17	
N	.125	.172	3.18	4.37	
R	---	1.10	---	27.94	Dia.

D0205AB (D09)

Catalog Number	Peak Reverse Voltage
1N3161	50V
1N3162	100V
1N3163	150V
1N3164	200V
1N3165	250V
1N3166	300V
1N3167	350V
1N3168	400V
1N3169	500V
1N3170	600V
1N3171,A	700V
1N3172,A	800V
1N3173,A	900V
1N3174,A	1000V
1N3175	1200V
1N3176	1400V
1N3177	1600V

Add R suffix for reverse polarity

- Glass to metal seal construction
- High surge current capability
- Glass Passivated Die
- Rugged construction
- VRRM 50-1600 Volts

Electrical Characteristics

Max average forward current	I _{F(AV)} 240 Amps	T _C = 149°C, Half sine wave, R _{θJC} = 0.20°C/W
Max surge current	I _{FSM} 3000 Amps	8.3ms, half sine, T _J = 200°C
Max. I ² t capability for fusing	I ² t 37,480 ² S	less than 8.33ms
Max peak forward voltage	V _{FM} 1.25 Volts	I _F = 240A: T _C = 25°C
Max peak reverse current	I _R 10mA	V _{RRM} , T _C = 150°C
Max peak reverse current	I _{RRM} 75 μA	V _{RRM} , T _C = 25°C
Max recommended operating frequency	7.5 kHz	

Thermal and Mechanical Characteristics

Operating junction temp range	T _J	-65°C to 200°C
Storage temperature range	T _{STG}	-65°C to 200°C
Maximum thermal resistance	R _{θJC}	0.20°C/W Junction to case
Typical thermal resistance (greased)	R _{θCS}	.08°C/W Case to sink
Max mounting torque		300-325 inch pounds
Weight		8.5 ounces (240 grams) typical

NJ Semi-Conductors reserves the right to change test conditions, parameter limits and package dimensions without notice. Information furnished by NJ Semi-Conductors is believed to be both accurate and reliable at the time of going to press. However, NJ Semi-Conductors assumes no responsibility for any errors or omissions discovered in its use. NJ Semi-Conductors encourages customers to verify that datasheets are current before placing orders.

