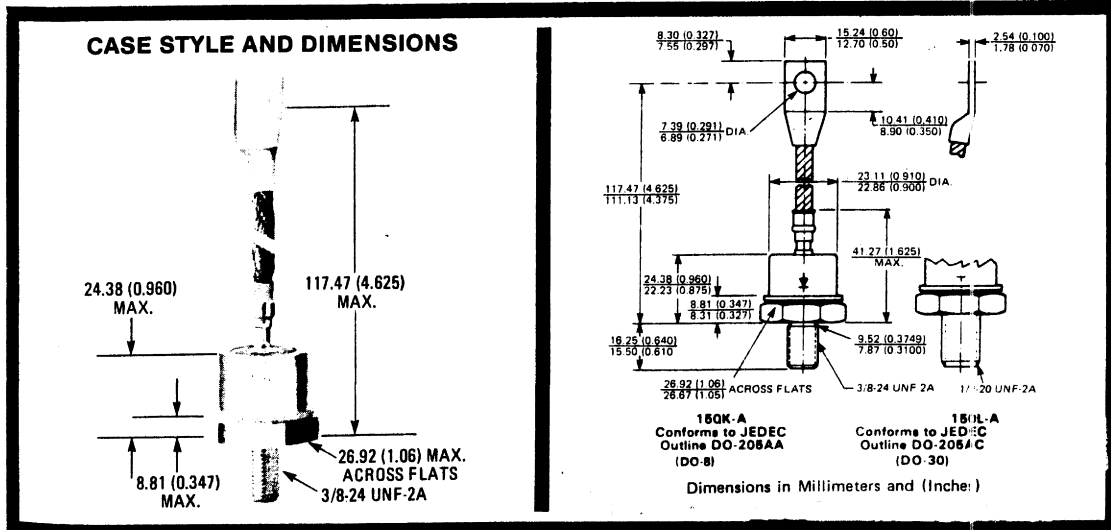


New Jersey Semi-Conductor Products, Inc.

20 STERN AVE.
 SPRINGFIELD, NEW JERSEY 07081
 U.S.A.

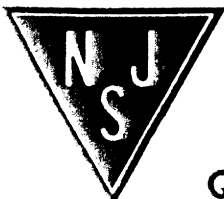
TELEPHONE: (973) 376-2922
 (212) 227-6005
 FAX: (973) 376-8960

45L, 150K-A, 150L-A, 150KS SERIES



| PART NUMBER ① | V _{RRM} Max. repetitive peak reverse voltage (V) | | V _{RSM} Max. non-repetitive peak reverse voltage (V) | | V _R Max. average reverse voltage (V) | | I _{RM} Max. peak reverse current at rated V _{RRM} (mA) | |
|---------------|---|----------|---|---------------------------------|---|------------------------|--|--|
| | T _J = -40°C to 200°C | | T _J = -40°C to 200°C | | T _J = -40°C to 200°C | | T _J = 200°C | |
| DO-30 | DO-8 | B-42 | | | | | | |
| 45L10 | | | 100 | 200 | 100 | 40 | | |
| 45L20 | | | 200 | 300 | 200 | 40 | | |
| 45L40 | | | 400 | 500 | 400 | 40 | | |
| 45L60 | | | 600 | 720 | 600 | 40 | | |
| 45L80 | | | 800 | 960 | 800 | 40 | | |
| 45L100 | | | 1000 | 1200 | 1000 | 40 | | |
| 45L120 | | | 1200 | 1440 | 1200 | 40 | | |
| | | | T _J = -65°C to 200°C | T _J = -65°C to 200°C | T _J = -65°C to 200°C | T _J = 175°C | | |
| 150L5A | 150K5A | 150KS5 | 50 | 100 | 50 | 35 | | |
| 150L10A | 150K10A | 150KS10 | 100 | 200 | 100 | 35 | | |
| 150L20A | 150K20A | 150KS20 | 200 | 300 | 200 | 35 | | |
| 150L30A | 150K30A | 150KS30 | 300 | 400 | 300 | 35 | | |
| 150L40A | 150K40A | 150KS40 | 400 | 500 | 400 | 35 | | |
| 150L60A | 150K60A | 150KS60 | 600 | 720 | 600 | 35 | | |
| 150L80A | 150K80A | 150KS80 | 800 | 960 | 800 | 32 | | |
| 150L100A | 150K100A | 150KS100 | 1000 | 1200 | 1000 | 24 | | |
| 150L120A | 150K120A | 150KS120 | 1200 | 1440 | 1200 | 20 | | |

| | 150K-A | 150KS | 150L-A/45L | Units | Conditions |
|--------------------|---|-------|------------|-------------------|---|
| I _{F(AV)} | Max. average forward current @ Max. T _C | | | A | 1-phase operation, 180° conduct on |
| | 150 | | | °C | |
| I _{FSM} | Max. peak one-cycle non-repetitive surge current | | | A | Half cycle 50 Hz sine wave or 6 ms rectangular pulse |
| | 3000 | | | | Folk wing any rated load condition and with rated V _{RRM} applied. |
| | 3143 | | | | Half cycle 60 Hz sine wave or 5 ms rectangular pulse |
| | 3568 | | | A | Half cycle 50 Hz sine wave or 6 ms rectangular pulse |
| | 3738 | | | | Folk wing any rated load condition and with V _{RFM} applied following surge = 0. |
| I ² t | Max. I ² t for fusing | | | A ² s | t = 10 ms With rated V _{RRM} applied following surge, initial T _J = T _J Max. |
| | 45 000 | | | | t = 8.3 ms |
| | 41 000 | | | | t = 10 ms With V _{RRM} = 0 following surge, initial T _J = T _J max. |
| | 63 650 | | | | t = 8.3 ms |
| | 57 990 | | | | |
| I ² √t | Max. I ² √t for individual device fusing | | | A ² √s | t = 0.1 to 10 ms, V _{RRM} = 0 folk wing surge. ③ |
| V _{FM} | Max. peak forward voltage | | | V | T _J = 25°C, I _{FM} = π x rated I _{F(AV)} (471 A peak) |
| V _{F(TO)} | Max. value of threshold voltage | | | V | T _J = 200°C |
| r _F | Max. value of forward slope resistance | | | mΩ | |
| | 1.416 | | | | |



Quality Semi-Conductors