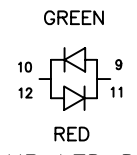
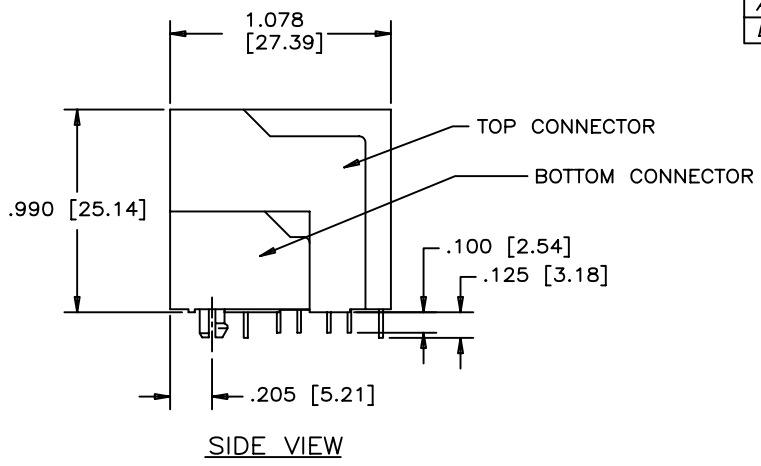
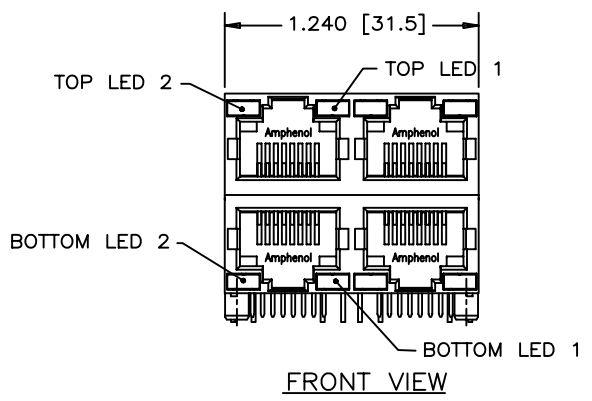
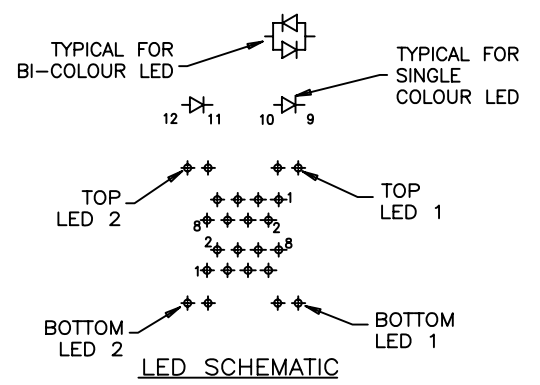
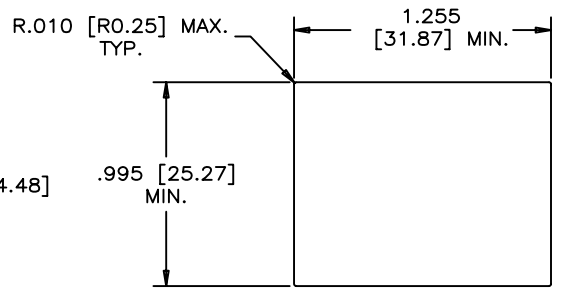
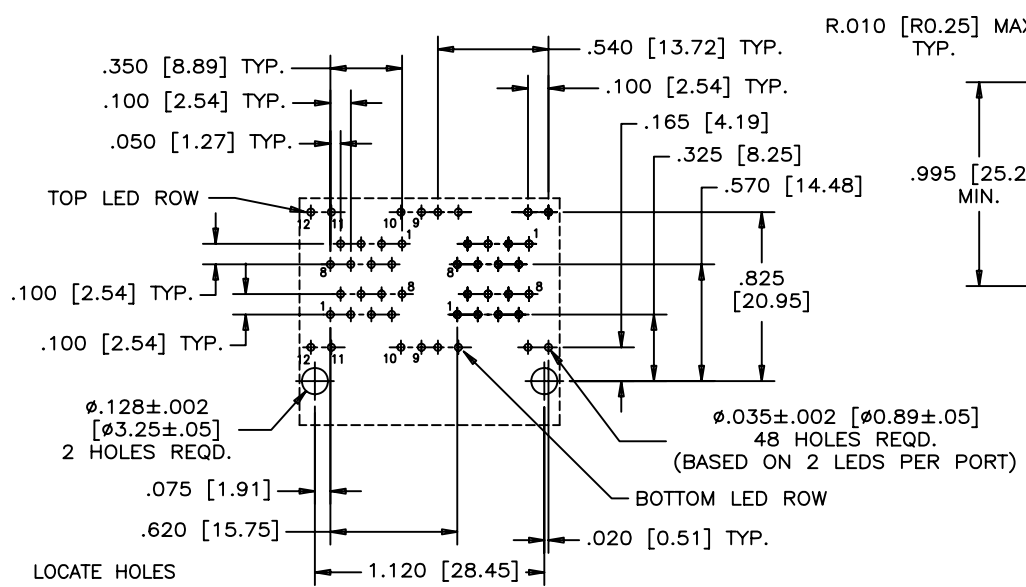


REVISIONS				
REV.	ECN, ERN NO.	DATE	REV BY	APPRD.
A	PROPOSAL	JUN 24/05		L.CHAN
B	CORRECT PART NUMBER	NOV 28/06	Jack Wang	L.CHAN



BI-COLOUR LED DETAIL
 (GREEN/YELLOW, RED/YELLOW AND GREEN/ORANGE ARE ALSO AVAILABLE)



MATERIALS:
 HOUSING: HIGH TEMPERATURE ENGINEERING THERMOPLASTIC. FLAMMABILITY RATING UL 94V-0
 CONTACTS: PHOSPHOR BRONZE
 PLATING: 50μ" [1.27 MICRONS] MIN. GOLD OVER MATING SURFACES.
 50μ" [1.27 MICRONS] MIN. NICKEL UNDERPLATE.
 100μ" MIN. MATTE TIN ON CONTACT AILS.

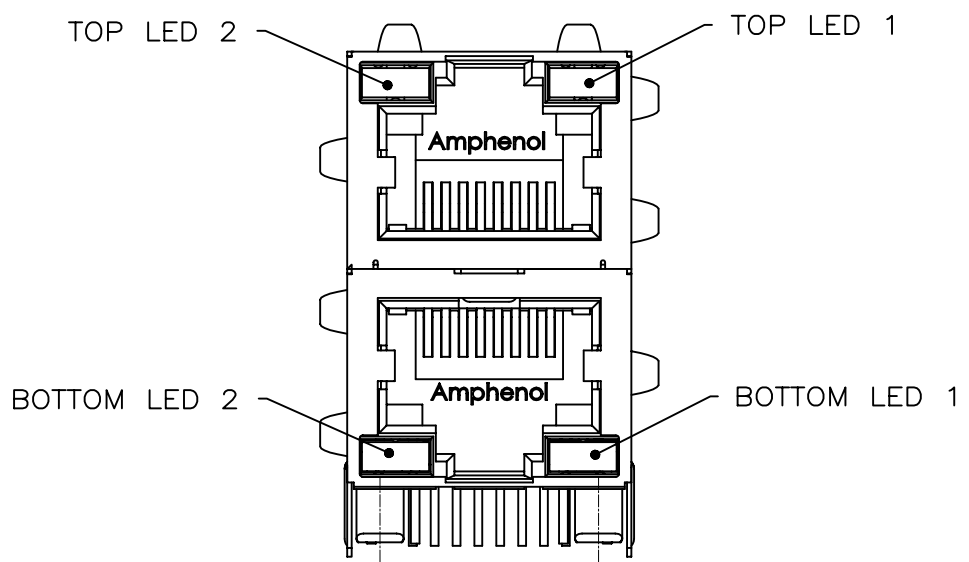
AMPHENOL PART NUMBER: RJSAE-508X-04X
 REFER TO LED OPTIONS DRAWING FOR ORDERING CODES

THIS DOCUMENT CONTAINS PROPRIETARY INFORMATION AND SUCH INFORMATION MAY NOT BE DISCLOSED TO OTHERS FOR ANY PURPOSE OR USED FOR MANUFACTURING PURPOSES WITHOUT WRITTEN PERMISSION FROM AMPHENOL CANADA CORP.

DRAWN PWANG	DATE JUN.24/05
DESIGNED	
CHECKED L.CHAN	DATE JUN.24/05
I. E. APPRD.	
Q. A. APPRD.	
DWG. APPRD.	
ENG. REL. NO.	
REF. EAR 12741	
DIMENSIONS ARE IN INCHES [mm]	CODE ID. NO. 03554

Amphenol Canada Corp.	
TITLE STACKABLE MULTI-PORT MODULAR JACK 8 POS. 8 CONTACTS, 2-PIECE CONSTRUCTION, NON-SHIELDED, WITH LED OPTIONS - RoHS COMPLIANT	
DWG. DRAWING NO. P-RJSAE-508X-04X	REV. B
SCALE	WT. _____ SURF. _____ SHEET 1 OF 1

REVISIONS				
SYM	ZONE	ECN, ERN NO.	DATE	APPRD.
A		PROPOSAL	05/04/28	

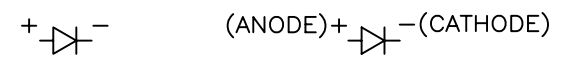


TYPICAL FOR TWO & MULTI-PORT

LED SPECIFICATIONS:
 FORWARD VOLTAGE: 2.1 VOLTS TYP.
 REVERSE VOLTAGE: 5.0 VOLTS MIN.
 LUMINOUS INTENSITY: 0.5 mCd MIN.
 (AT If=2mA)
 STORAGE TEMPERATURE: -20° TO 85° C
 LEAD SOLDERING TEMPERATURE: 260° C
 (5 SEC, 1/16" FROM CASE)
 PLATING ON TAILS: TIN PLATED

EXAMPLE:

PART NUMBER RJSAE-528X



LED COLOR CODE

EXAMPLE:

PART NUMBER RJSAE-538U-08-XX

BOTTOM ASSY LED (SAME AS STD CODE)

TOP ASSY LED (SAME AS STD CODE)

PRIMARY COLOR FOR BI-COLOR
 LEDS IN STANDARD ANODE/
 CATHODE CONFIGURATION IS:
 RED-GREEN= RED
 RED-YELLOW= RED
 GREEN-YELLOW= GREEN
 GREEN-ORANGE= GREEN

CODE	LED 2 (LEFT)	LED 1 (RIGHT)	CODE	LED 2 (LEFT)	LED 1 (RIGHT)	CODE	LED 2 (LEFT)	LED 1 (RIGHT)
0	BLOCKED	BLOCKED	9	GREEN	BLOCKED	J	BiC RD/GR	YELLOW
1	YELLOW	GREEN	A	BiC GR/YE	BiC GR/YE	K	YELLOW	BiC GR/OR
2	BLOCKED	GREEN	B	BiC RD/GR	BiC RD/GR	L	BiC GR/YE	RED
3	YELLOW	BLOCKED	C	BiC RD/GR	BiC GR/YE	M	RED	YELLOW
4	GREEN	YELLOW	D	GREEN	BiC GR/YE	N	BiC GR/RD	BiC GR/YE
5	GREEN	GREEN	E	YELLOW	BiC GR/YE	P	GREEN	BiC RD/GR
6	YELLOW	YELLOW	F	BiC GR/YE	YELLOW	R	BiC GR/OR	GREEN
7	RED	GREEN	G	BiC GR/OR	BiC GR/OR	T	RED	RED
8	GREEN	RED	H	BiC GR/YE	GREEN	V	BiC RD/GR	GREEN
						W	ADDITIONAL OPTIONS	
						U	SPECIAL CODE FOR TOP & BOTTOM LEDS CONFIGURATION	

EXAMPLE OF ADDITIONAL LED OPTIONS:

PART NUMBER RJSAE-528X-A2X

ADDITIONAL LED COLOR CODE

↑ DENOTES ADDITIONAL LED OPTIONS TO BE USED

LEGEND

BiC=BI-COLOR LED
 LOWC=LOW CURRENT LED
 YE=YELLOW
 GR=GREEN
 RD=RED
 OR=ORANGE

NOTE:

THE TWO DIGITS PRECEDING THE ADDITIONAL LED CODE MUST BE USED IN THE PART NUMBER, WHEN ORDERING ANY OF THE ADDITIONAL LED OPTIONS.

CODE	LED 2 (LEFT)	LED 1 (RIGHT)	CODE	LED 2 (LEFT)	LED 1 (RIGHT)	CODE	LED 2 (LEFT)	LED 1 (RIGHT)
0	DO NOT USE		5	BLOCKED	YELLOW	A	LOWC YE	LOWC YE
1	RED	BLOCKED	6	RED	BiC RD/GR	B	LOWC YE	LOWC GR
2	BiC GR/OR	YELLOW	7			C	LOWC GR	LOWC YE
3	YELLOW	RED	8	BiC RD/GR	BLOCKED	D	LOWC GR	LOWC GR
4	BLOCKED	RED	9	BiC GR/YE	BLOCKED	M	LOWC RD	LOWC YE
						N	GEEEN	BiC GR/OR

THIS DOCUMENT CONTAINS PROPRIETARY INFORMATION AND SUCH INFORMATION MAY NOT BE DISCLOSED TO OTHERS FOR ANY PURPOSE OR USED FOR MANUFACTURING PURPOSES WITHOUT WRITTEN PERMISSION FROM AMPHENOL CANADA CORP.

DRAWN PAUL WANG	DATE 05/04/28	Amphenol Canada Corp.		
DESIGNED				
CHECKED		TITLE		
I. E. APPRD.		LED OPTIONS FOR RJSAE, MULTI-PORT CONNECTORS		
Q. A. APPRD.		DWG	DRAWING NO.	REV.
DWG. APPRD.			P-RJSAE-LEDS	A
ENG. REL. NO.		SCALE	WT. -----	SURF. -----
REF.		SHEET 1 OF 1		
DIMENSIONS ARE IN INCHES [mm]	CODE ID. NO. 03554			