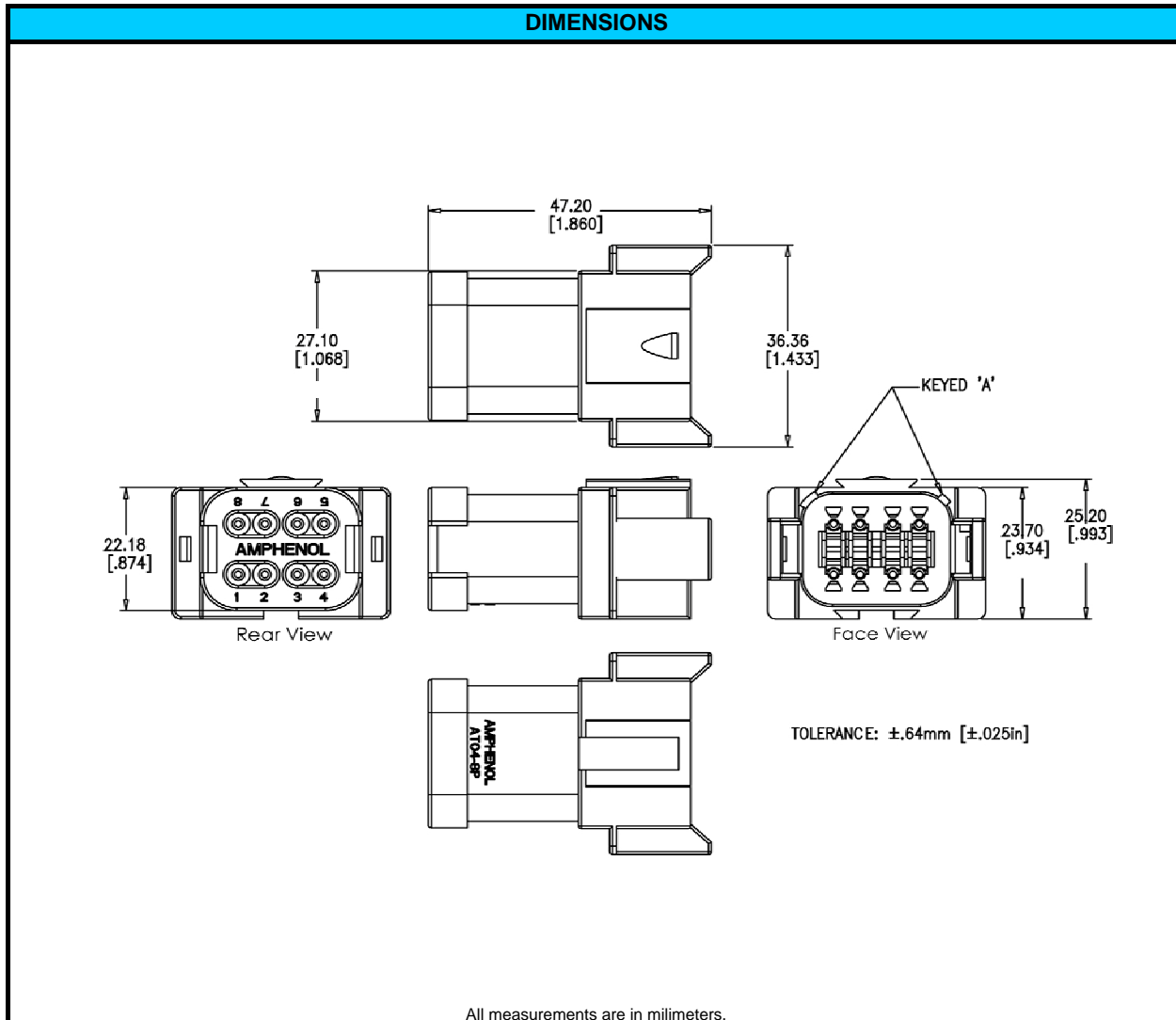


CONFIGURATION	PART NUMBER
Rectpt, 8 Way, Key A, End Cap	AT04-08PA-EC01



NOTES:	
CONTACT SIZE	16
WIRE RANGE	14 - 20 AWG [2.0 - 0.5]
INSULATION O.D. (MAX)	.145" [3.68mm]
INSULATION O.D. (MIN)	.088" [2.24mm]
HOUSING COLOR	GREY
MATING CONNECTOR:	AT06-08SA
REQUIRED WEDGE	AW8P (sold seperately)
REV: NC	UNCONTROLLED DOCUMENT
DATE 6-MARCH-2009	INFORMATION SUBJECT TO CHANGE WITHOUT NOTICE

© 2009 Amphenol Sine Systems Corporation. Every effort has been made to ensure that the information contained in this document is accurate at the time of publication. Specifications or information stated in this publication are subject to change without notice.