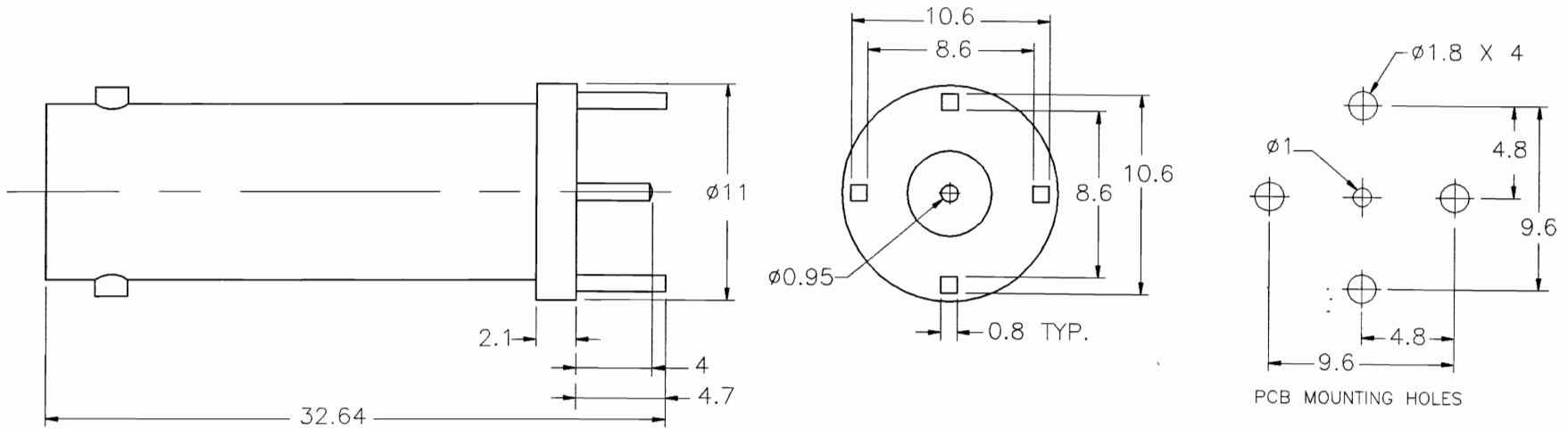



REV.	DATE	DESCRIPTION
NC	2/18/97	INITIAL RELEASE



DESCRIPTION	MATERIAL	FINISH	DIMENSIONS ARE IN MILLIMETERS UNLESS OTHERWISE SPECIFIED TOLERANCES ARE:	APPROVALS	DATE					
1	BODY	BRASS	NICKEL	DRAWN	G.R.S.	2/18/97	TITLE BNC P.C. MOUNT RECEPTACLE JACK 50 ohm			
2	INSULATOR	TEFLON	NATURAL	CHECKED						
3	CONTACT PIN	PHOS. BRONZE	GOLD	ISSUED			SIZE	FSCM NO.	DWG. NO.	REV.
4							A	99001	112553.DWG	NC
5							SCALE	PART NO.	SHEET	
6							3:1	112553	1 OF 1	
7										
8			DO NOT SCALE DRAWING							