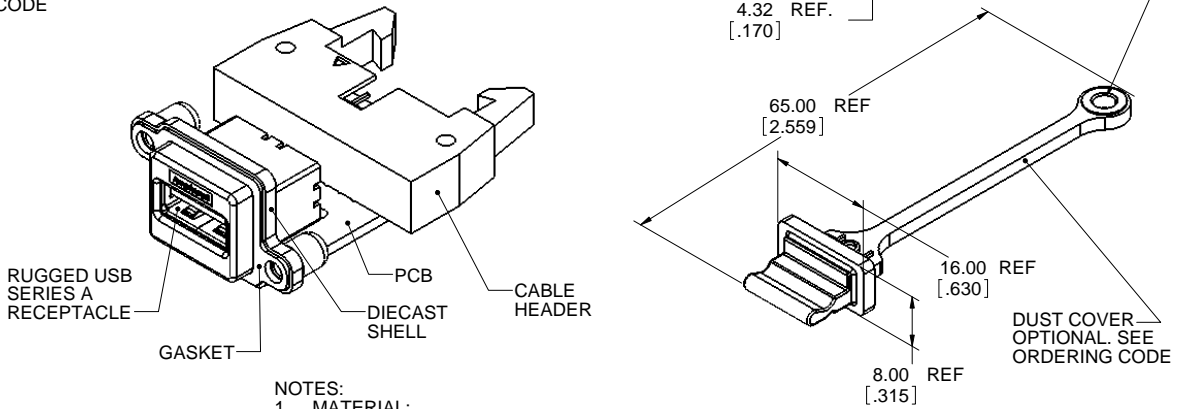
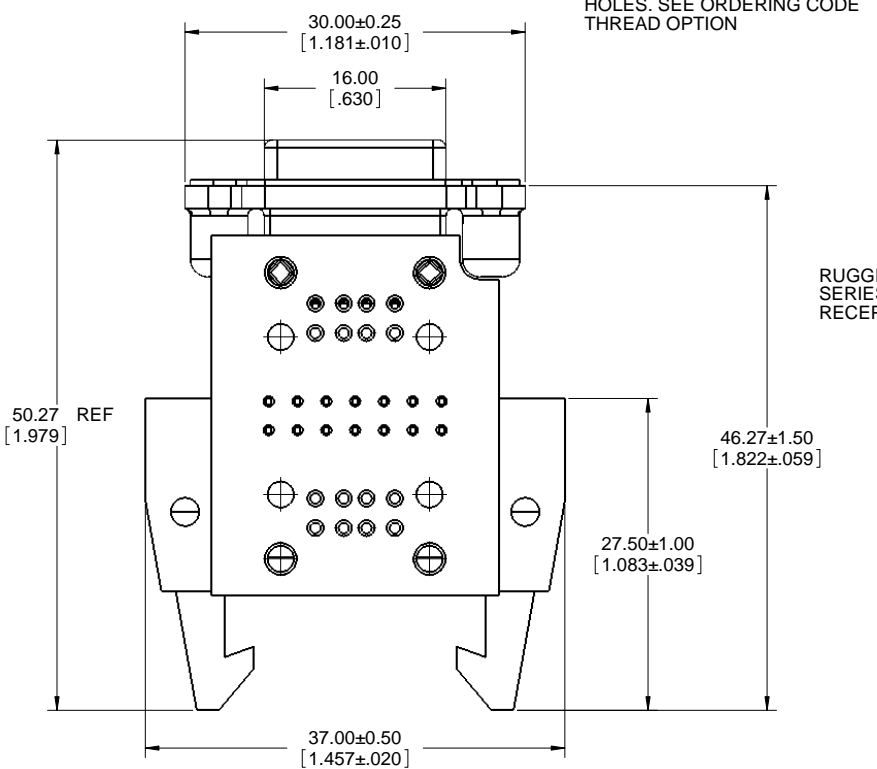
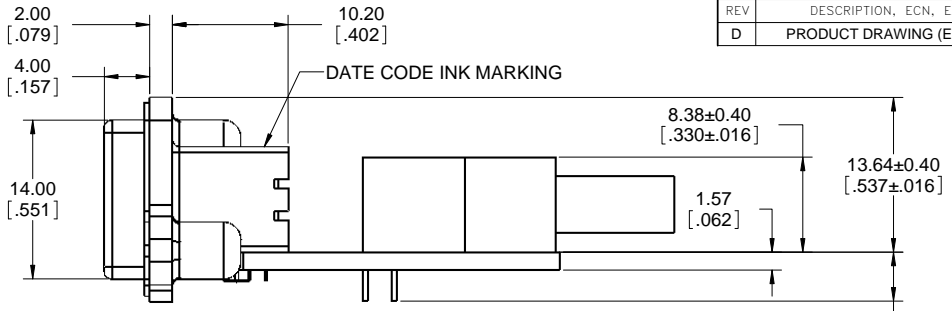
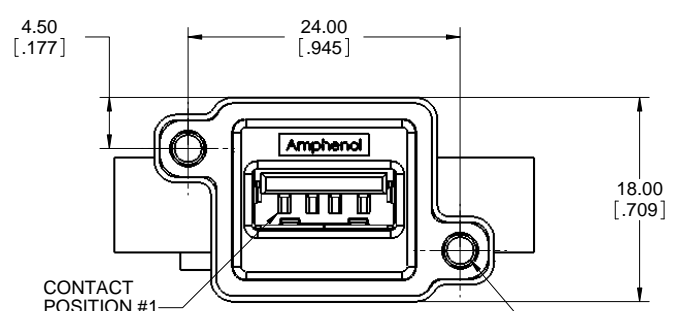


REVISIONS			
REV	DESCRIPTION, ECN, EAR NO.	DATE	APP'D
D	PRODUCT DRAWING (EAR 13821)	JAN 17/11	K.L.



- NOTES:
- MATERIAL:
 - ALL MATERIALS ARE RoHS COMPLIANT PER EU DIRECTIVE 2002/95/EC AND AMENDMENTS.
 - OUTER SHELL - DIECAST ZINC ALLOY, NICKEL PLATED.
 - CONTACTS - PHOSPHOR BRONZE, PLATED WITH 0.76 MICRONS (30 MICROINCHES) GOLD OVER 1.27 MICRONS (50 MICROINCHES) MINIMUM NICKEL ON THE MATING AREA WITH MATTE TIN OVER NICKEL ON THE TAILS.
 - USB HOUSING - ENGINEERING THERMOPLASTIC, HIGH TEMPERATURE RESISTANT, FLAMMABILITY RATING UL94V-0 BLACK.
 - USB SHIELD & BACK COVER - COPPER ALLOY, NICKEL PLATED.
 - GASKET - SILICONE RUBBER, BLACK.
 - PCB - FR-4 FIBERGLASS, LEAD FREE.
 - CABLE HEADER: THERMOPLASTIC HOUSING (UL94V-0, BLACK) WITH BRASS CONTACTS (PLATED GOLD OVER NICKEL), TYCO P/N 5499786-2 OR EQUIVALENT. HEADER MATES WITH TYCO RECEPTACLE 1658620-2 WITH STRAIN RELIEF 499252-9 OR EQUIVALENT.
 - DUST COVER - SILICONE RUBBER WITH NICKEL PLATED BRASS BUSHING. SEE ORDERING CODE FOR DUST COVER OPTIONS. SEE SHEET 2 FOR APPLICATION VIEW
 - ENVIRONMENTAL PERFORMANCE PER IEC 60529 CODE IP67 FOR SEAL BETWEEN MATING AREA AND PCB SIDE OF CONNECTOR. GASKET PROVIDES SEAL TO INSIDE FACE OF ENCLOSURE PANEL. AVAILABLE DUST COVER PROVIDES ADDED PROTECTION.
 - CURRENT RATING: 1.5 AMPERES
 - CONTACT RESISTANCE: 50 MILLIOHMS MAXIMUM (SUBJECT TO VERIFICATION)
 - OPERATING TEMPERATURE: -40 °C to +105 °C
 - DUST COVERS MAY BE ORDERED SEPARATELY, SPECIFY
 - MUSB-2A111-014BP FOR GREY DUST COVER
 - MUSB-2A111-024BP FOR BLACK DUST COVER

ORDERING CODE: **MUSB - A 2 1 1 - X X**

SERIES, RUGGED USB
 USB SERIES 'A' RECEPTACLE, RIGHT ANGLE ON PCB WITH RIGHT ANGLE CABLE HEADER
 THREAD OPTION
 3 = #4-40 UNC THREAD
 M = M3 x 0.5 THREAD
 DUST COVER OPTION
 0 = NO DUST COVER SUPPLIED
 1 = WITH GREY DUST COVER SUPPLIED
 5 = WITH BLACK DUST COVER SUPPLIED

UNLESS SPECIFIED OTHERWISE	DRAWN	S.SEMENOV	MAR01/07
PRIMARY UNITS MILLIMETERS	CHECKED	K. LAMBIE	TBD
SECONDARY UNITS INCHES	M.E. APP'D		
REFERENCE IN PARENTHESES	Q.A. APP'D		
GENERAL TOLERANCES	DWG APPR.	A.GREEN	TBD
1 DECIMAL PLACE	ENG. REL. NO.	EAR 13560	
2 DECIMAL PLACES ±0.15	REF.		
3 DECIMAL PLACES	THIRD ANGLE PROJECTION		
ANGULAR DEGREES	DO NOT SCALE DRAWING		

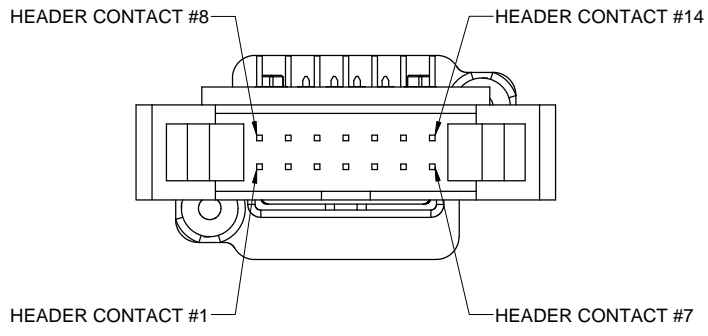
Amphenol Canada Corp.

MUSB RUGGED SERIES A USB RECEPTACLE, RIGHT ANGLE, ON PCB WITH R/A CABLE HEADER, THREAD AND DUST COVER OPTIONS, RoHS COMPLIANT

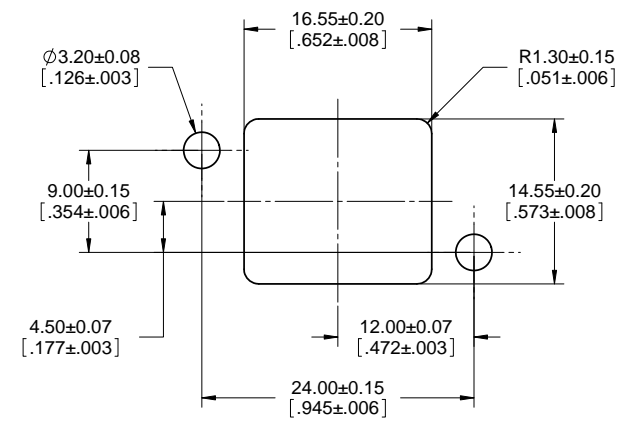
DWG. NO. **P-MUSB-A211-XX** REV **D**

CODE ID NO. 03554 DWG SIZE: C SCALE: 3:1 SHEET 1 OF 2

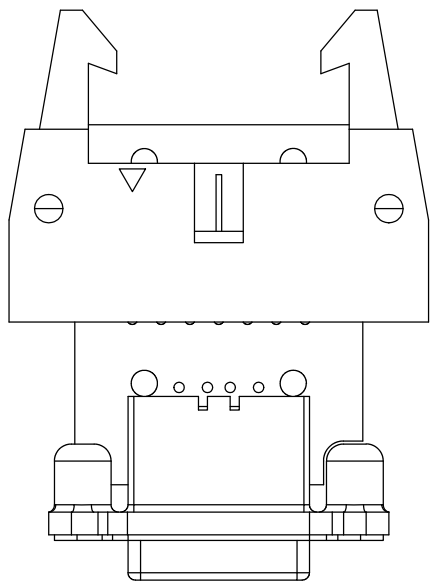
REVISIONS			
REV	DESCRIPTION, ECN, EAR NO.	DATE	APP'D
D	PRODUCT DRAWING (EAR 13821)	JAN 17/11	K.L.



RUGGED USB TO CABLE HEADER CONNECTION CHART	
RUGGED USB RECEPTACLE	CABLE HEADER
SHELL/GROUND	POSITION 1
CONTACT 1	POSITION 14
CONTACT 2	POSITION 13
CONTACT 3	POSITION 12
CONTACT 4	POSITION 11

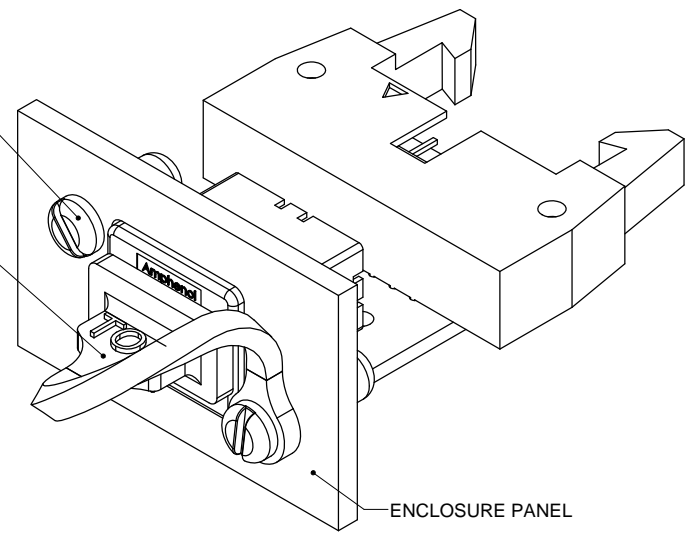


RECOMMENDED PANEL CUTOUT
(OUTSIDE VIEW OF PANEL)

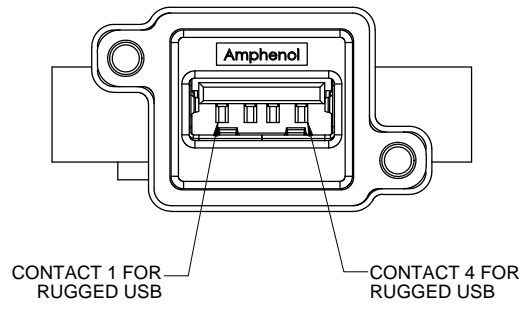


MOUNTING SCREWS
(NOT SUPPLIED)

COVER HANDLE
WITH MARK "TOP"



DUST COVER APPLICATION



MUSB CONTACT ASSIGNMENT



UNLESS SPECIFIED OTHERWISE	DRAWN	S.SEMENOV	MAR01/07
PRIMARY UNITS MILLIMETERS	CHECKED	K.LAMBIE	TBD
SECONDARY INCHES	M.E. APP'D		
REFERENCE IN PARENTHESES	Q.A. APP'D		
GENERAL TOLERANCES	DWG APPR.	A.GREEN	TBD
1 DECIMAL PLACE	ENG. REL. NO.	EAR 13560	
2 DECIMAL PLACES ± 0.15	REF.		
3 DECIMAL PLACES	THIRD ANGLE PROJECTION		
ANGULAR DEGREES	DO NOT SCALE DRAWING		

Amphenol Canada Corp.			
MUSB RUGGED SERIES 'A' USB RECEPTACLE, RIGHT ANGLE, ON PCB WITH R/A CABLE HEADER, THREAD AND DUST COVER OPTIONS, RoHS COMPLIANT			
DWG. NO.			REV
P-MUSB-A211-XX			D
CODE ID NO. 03554	DWG SIZE: C	SCALE: 3:1	SHEET 2 OF 2