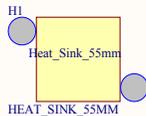


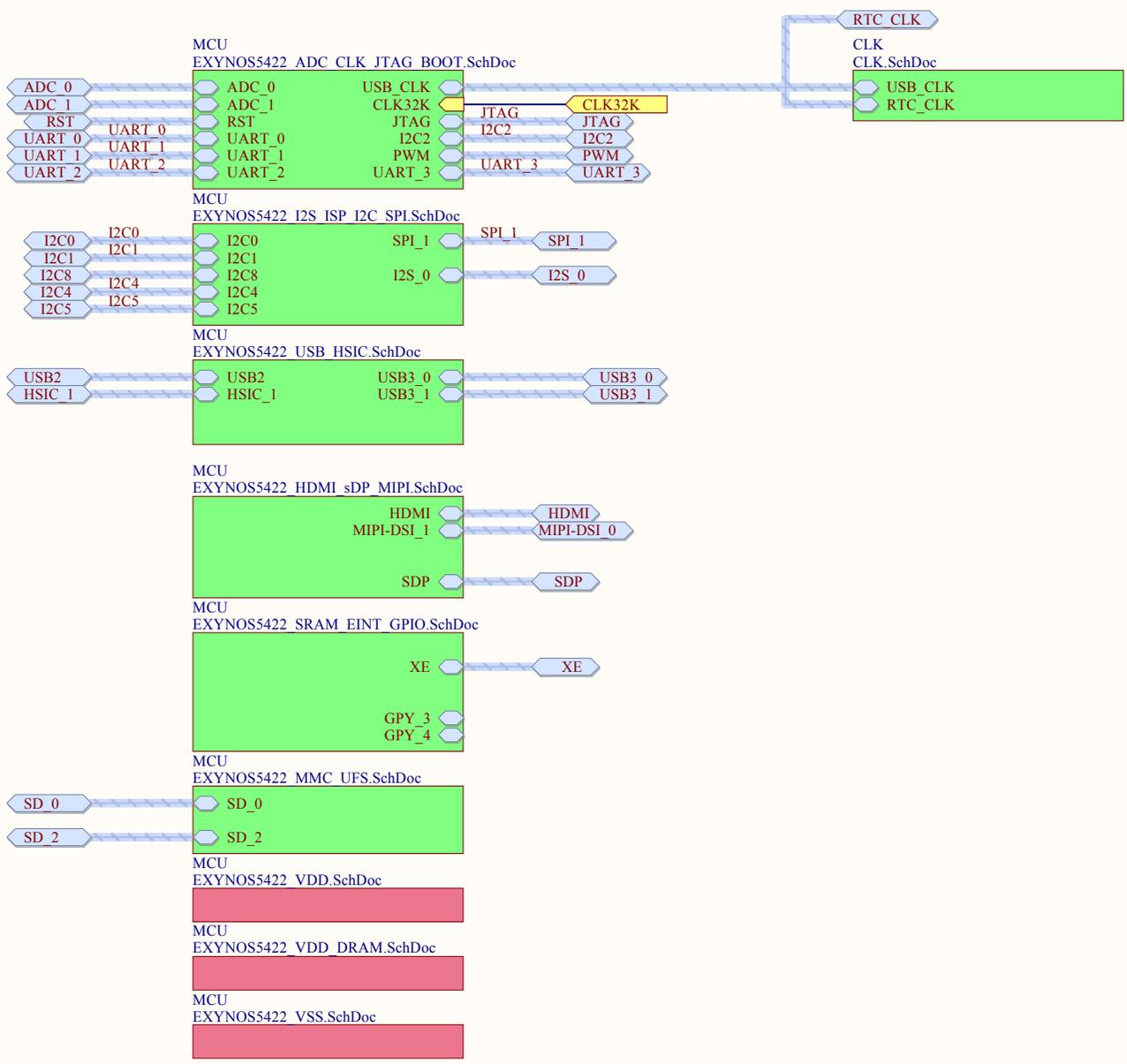
**Mounting Holes**

- MH1  
MOUNTING HOLE 3MM
- MH2  
MOUNTING HOLE 3MM
- MH3  
MOUNTING HOLE 3MM
- MH4  
MOUNTING HOLE 3MM

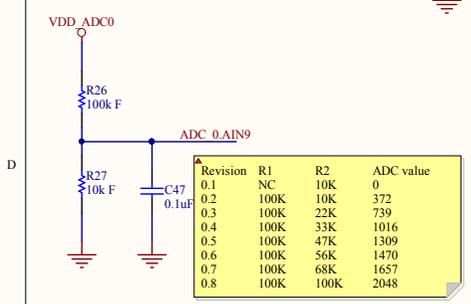
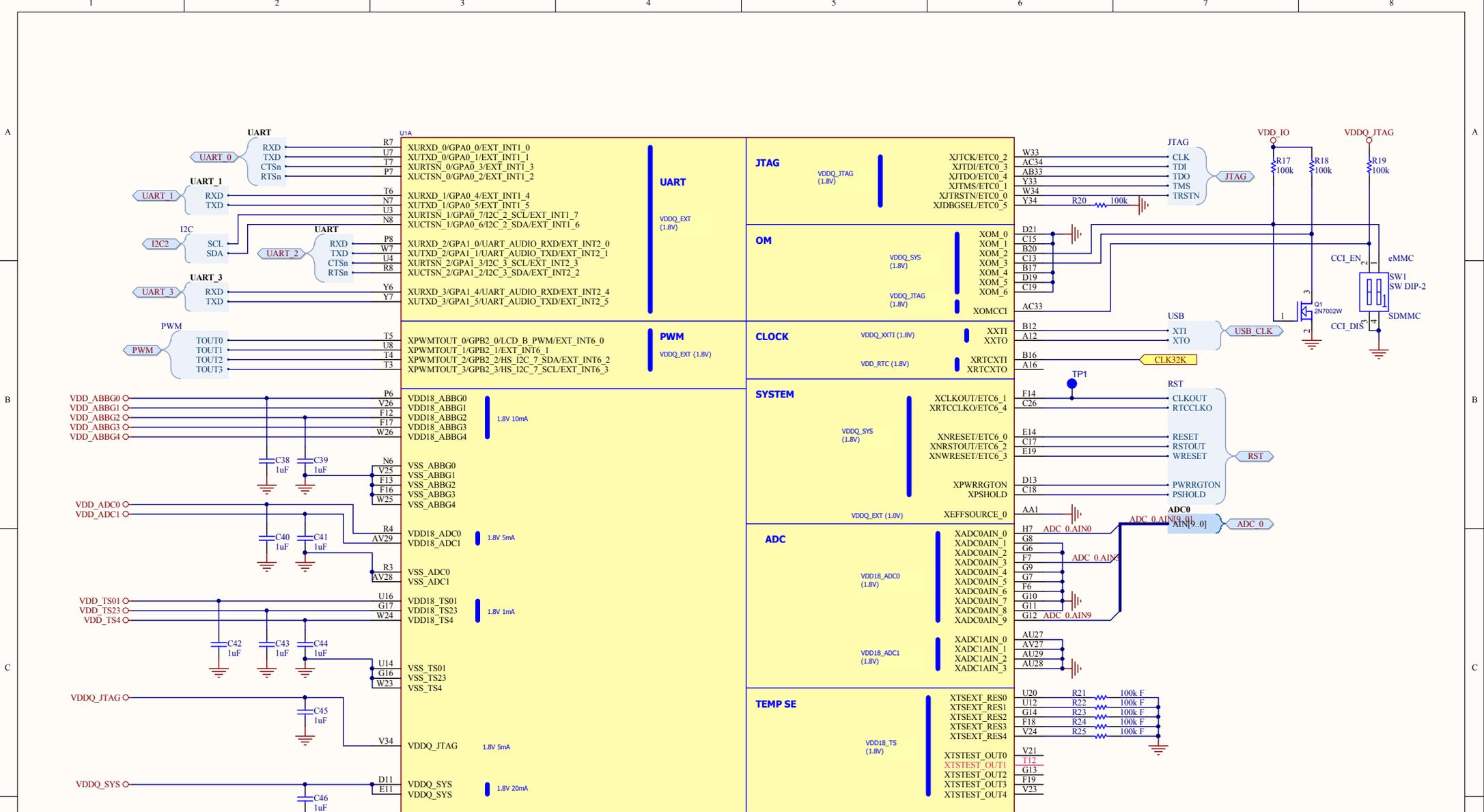
**Heat Sink**



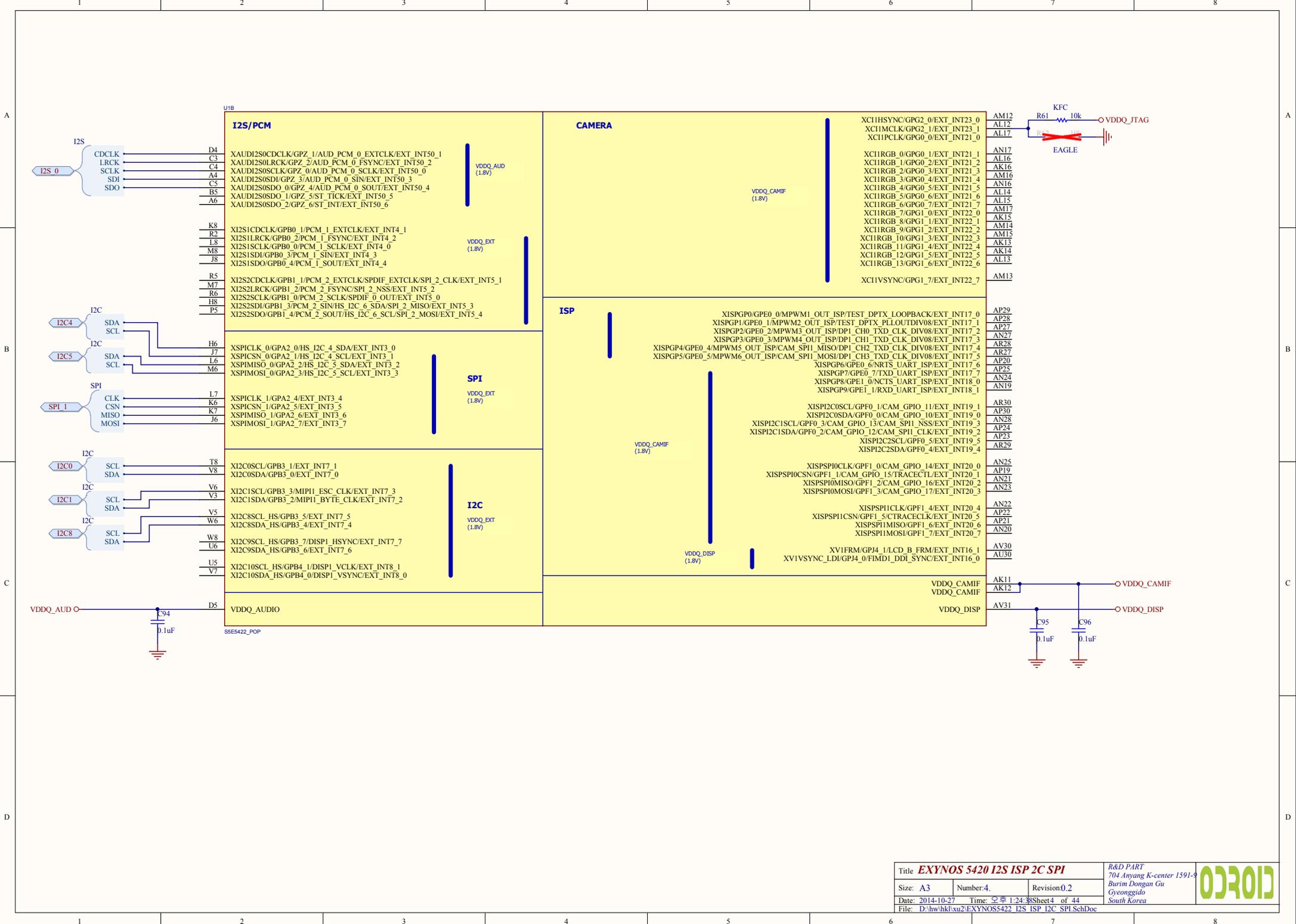
Title <b>XU3-MAIN</b>			Hardkernel Co.,LTD. 704 Anyang K-center 248-25 Dongan Gu, Anyang City Gyeonggido South Korea	
Size: A3	Number: 1.	Revision: 0.2		
Date: 2014-10-27	Time: 09:12:38	Sheet: 1 of 44		
File: D:\hw\hkl\XU3-MAIN.SchDoc				

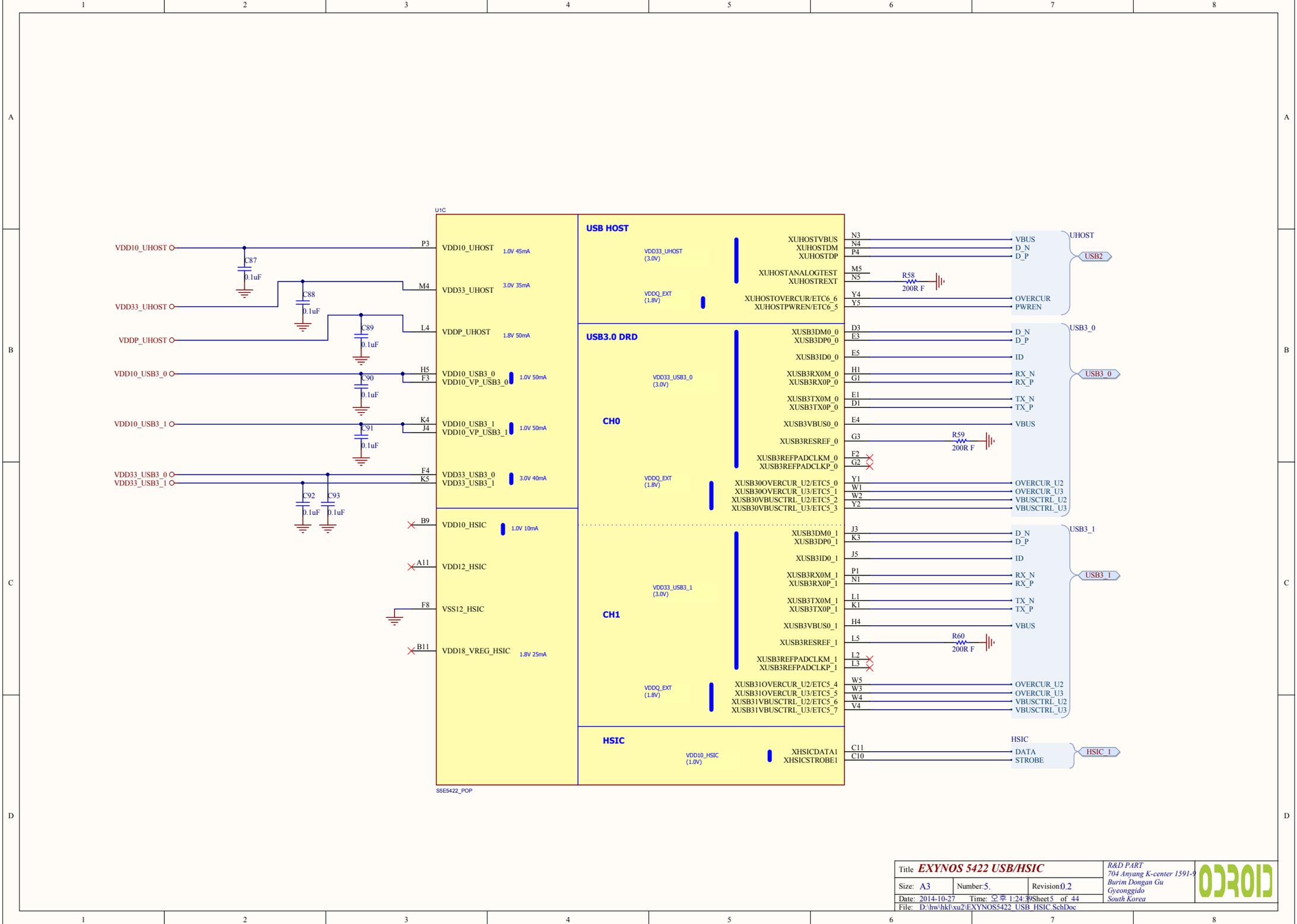


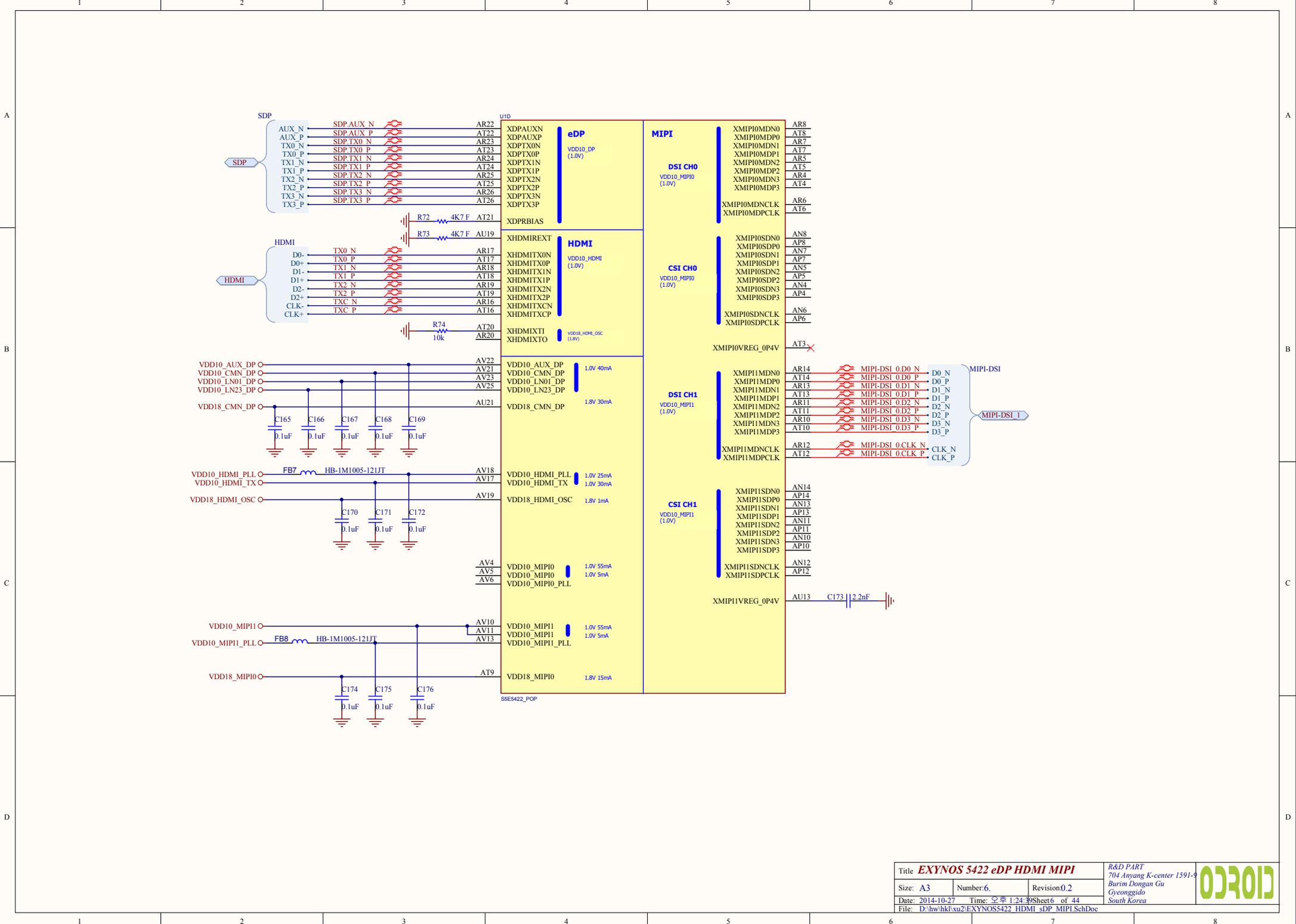
Title <b>MCU EXYNOS 5422</b>			R&D PART 704 Anyang K-center 248-25 Dongan Gu, Anyang City Gyeonggido South Korea	
Size: A4	Number:2.	Revision:0.2		
Date: 2014-10-27	Time: 오후 1:24:38	Sheet 2 of 44		
File: D:\hw\hkl\xu2\MCU_EXYNOS5422.SchDoc				

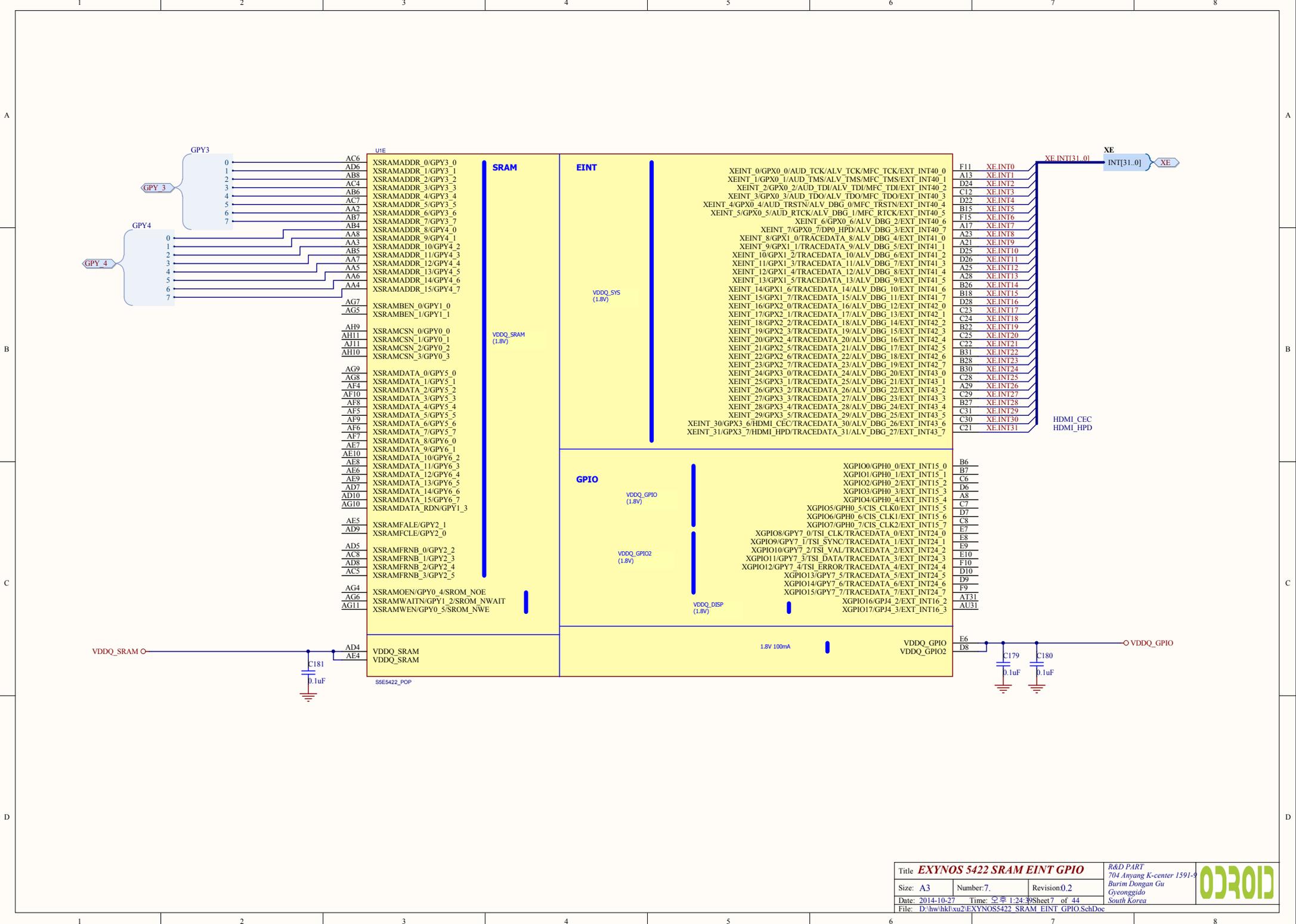


Revision	R1	R2	ADC value
0.1	NC	10K	0
0.2	100K	10K	372
0.3	100K	22K	739
0.4	100K	33K	1016
0.5	100K	47K	1309
0.6	100K	56K	1470
0.7	100K	68K	1657
0.8	100K	100K	2048



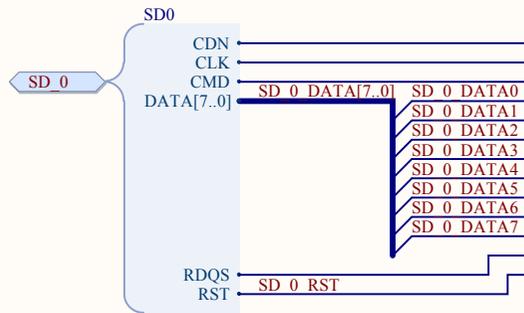






UTE		SRAM	EINT	GPIO
AC6	XSRAMADDR_0/GPY3_0		XEINT_0/GPX0_0/AUD_TCK/ALV_TCK/MFC_TCK/EXT_INT40_0	XGPIO0/GPH0_0/EXT_INT15_0
AD6	XSRAMADDR_1/GPY3_1		XEINT_1/GPX0_1/AUD_TMS/ALV_TMS/MFC_TMS/EXT_INT40_1	XGPIO1/GPH0_1/EXT_INT15_1
AB8	XSRAMADDR_2/GPY3_2		XEINT_2/GPX0_2/AUD_TDI/ALV_TDI/MFC_TDI/EXT_INT40_2	XGPIO2/GPH0_2/EXT_INT15_2
AC4	XSRAMADDR_3/GPY3_3		XEINT_3/GPX0_3/AUD_TDO/ALV_TDO/MFC_TDO/EXT_INT40_3	XGPIO3/GPH0_3/EXT_INT15_3
AB6	XSRAMADDR_4/GPY3_4		XEINT_4/GPX0_4/AUD_TRSTN/ALV_DBG_0/MFC_TRSTN/EXT_INT40_4	XGPIO4/GPH0_4/EXT_INT15_4
AC7	XSRAMADDR_5/GPY3_5		XEINT_5/GPX0_5/AUD_RTCK/ALV_DBG_1/MFC_RTCK/EXT_INT40_5	XGPIO5/GPH0_5/CIS_CLK0/EXT_INT15_5
AA2	XSRAMADDR_6/GPY3_6		XEINT_6/GPX0_6/ALV_DBG_2/EXT_INT40_6	XGPIO6/GPH0_6/CIS_CLK1/EXT_INT15_6
AB7	XSRAMADDR_7/GPY3_7		XEINT_7/GPX0_7/DP0_HPD/ALV_DBG_3/EXT_INT40_7	XGPIO7/GPH0_7/CIS_CLK2/EXT_INT15_7
AB4	XSRAMADDR_8/GPY4_0		XEINT_8/GPX1_0/TRACEDATA_8/ALV_DBG_4/EXT_INT41_0	XGPIO8/GPY7_0/TSI_CLK/TRACEDATA_0/EXT_INT24_0
AA8	XSRAMADDR_9/GPY4_1		XEINT_9/GPX1_1/TRACEDATA_9/ALV_DBG_5/EXT_INT41_1	XGPIO9/GPY7_1/TSI_SYNC/TRACEDATA_1/EXT_INT24_1
AA3	XSRAMADDR_10/GPY4_2		XEINT_10/GPX1_2/TRACEDATA_10/ALV_DBG_6/EXT_INT41_2	XGPIO10/GPY7_2/TSI_VAL/TRACEDATA_2/EXT_INT24_2
AB5	XSRAMADDR_11/GPY4_3		XEINT_11/GPX1_3/TRACEDATA_11/ALV_DBG_7/EXT_INT41_3	XGPIO11/GPY7_3/TSI_DATA/TRACEDATA_3/EXT_INT24_3
AA7	XSRAMADDR_12/GPY4_4		XEINT_12/GPX1_4/TRACEDATA_12/ALV_DBG_8/EXT_INT41_4	XGPIO12/GPY7_4/TSI_ERROR/TRACEDATA_4/EXT_INT24_4
AA5	XSRAMADDR_13/GPY4_5		XEINT_13/GPX1_5/TRACEDATA_13/ALV_DBG_9/EXT_INT41_5	XGPIO13/GPY7_5/TRACEDATA_5/EXT_INT24_5
AA6	XSRAMADDR_14/GPY4_6		XEINT_14/GPX1_6/TRACEDATA_14/ALV_DBG_10/EXT_INT41_6	XGPIO14/GPY7_6/TRACEDATA_6/EXT_INT24_6
AA4	XSRAMADDR_15/GPY4_7		XEINT_15/GPX1_7/TRACEDATA_15/ALV_DBG_11/EXT_INT41_7	XGPIO15/GPY7_7/TRACEDATA_7/EXT_INT24_7
AG7	XSRAMBEN_0/GPY1_0		XEINT_16/GPX2_0/TRACEDATA_16/ALV_DBG_12/EXT_INT42_0	XGPIO16/GP4_2/EXT_INT16_2
AG5	XSRAMBEN_1/GPY1_1		XEINT_17/GPX2_1/TRACEDATA_17/ALV_DBG_13/EXT_INT42_1	XGPIO17/GP4_3/EXT_INT16_3
AH9	XSRAMCSN_0/GPY0_0		XEINT_18/GPX2_2/TRACEDATA_18/ALV_DBG_14/EXT_INT42_2	
AH11	XSRAMCSN_1/GPY0_1		XEINT_19/GPX2_3/TRACEDATA_19/ALV_DBG_15/EXT_INT42_3	
AJ11	XSRAMCSN_2/GPY0_2		XEINT_20/GPX2_4/TRACEDATA_20/ALV_DBG_16/EXT_INT42_4	
AH10	XSRAMCSN_3/GPY0_3		XEINT_21/GPX2_5/TRACEDATA_21/ALV_DBG_17/EXT_INT42_5	
AG9	XSRAMDATA_0/GPY5_0		XEINT_22/GPX2_6/TRACEDATA_22/ALV_DBG_18/EXT_INT42_6	
AG8	XSRAMDATA_1/GPY5_1		XEINT_23/GPX2_7/TRACEDATA_23/ALV_DBG_19/EXT_INT42_7	
AF4	XSRAMDATA_2/GPY5_2		XEINT_24/GPX3_0/TRACEDATA_24/ALV_DBG_20/EXT_INT43_0	
AF10	XSRAMDATA_3/GPY5_3		XEINT_25/GPX3_1/TRACEDATA_25/ALV_DBG_21/EXT_INT43_1	
AF8	XSRAMDATA_4/GPY5_4		XEINT_26/GPX3_2/TRACEDATA_26/ALV_DBG_22/EXT_INT43_2	
AF5	XSRAMDATA_5/GPY5_5		XEINT_27/GPX3_3/TRACEDATA_27/ALV_DBG_23/EXT_INT43_3	
AF9	XSRAMDATA_6/GPY5_6		XEINT_28/GPX3_4/TRACEDATA_28/ALV_DBG_24/EXT_INT43_4	
AF6	XSRAMDATA_7/GPY5_7		XEINT_29/GPX3_5/TRACEDATA_29/ALV_DBG_25/EXT_INT43_5	
AF7	XSRAMDATA_8/GPY6_0		XEINT_30/GPX3_6/HDMI_CEC/TRACEDATA_30/ALV_DBG_26/EXT_INT43_6	
AE7	XSRAMDATA_9/GPY6_1		XEINT_31/GPX3_7/HDMI_HPD/TRACEDATA_31/ALV_DBG_27/EXT_INT43_7	
AE10	XSRAMDATA_10/GPY6_2			
AE8	XSRAMDATA_11/GPY6_3			
AE6	XSRAMDATA_12/GPY6_4			
AE9	XSRAMDATA_13/GPY6_5			
AD7	XSRAMDATA_14/GPY6_6			
AD10	XSRAMDATA_15/GPY6_7			
AG10	XSRAMDATA_RDN/GPY1_3			
AE5	XSRAMFALE/GPY2_1			
AD9	XSRAMFCLC/GPY2_0			
AD5	XSRAMFRNB_0/GPY2_2			
AC8	XSRAMFRNB_1/GPY2_3			
AD8	XSRAMFRNB_2/GPY2_4			
AC5	XSRAMFRNB_3/GPY2_5			
AG4	XSRAMOEN/GPY0_4/SROM_NOE			
AG6	XSRAMWAITN/GPY1_2/SROM_NWAIT			
AG11	XSRAMWEN/GPY0_5/SROM_NWE			

Title <b>EXYNOS 5422 SRAM EINT GPIO</b>		R&D PART 704 Anyang K-center 1591-9		
Size: A3	Number: 7	Revision: 0.2		
Date: 2014-10-27	Time: 1:24:30	Sheet: 7 of 44		
File: D:\hw\hkl\ku2\EXYNOS5422 SRAM_EINT_GPIO.SchDoc				



U1F

AK6	XMMC0CDN/GPC0_2/EXT_INT9_2
AL10	XMMC0CLK/GPC0_0/EXT_INT9_0
AM9	XMMC0CMD/GPC0_1/EXT_INT9_1
AG2	XMMC0DATA_0/GPC0_3/EXT_INT9_3
AG1	XMMC0DATA_1/GPC0_4/EXT_INT9_4
AJ8	XMMC0DATA_2/GPC0_5/EXT_INT9_5
AL11	XMMC0DATA_3/GPC0_6/EXT_INT9_6
AG3	XMMC0DATA_4/GPC3_0/EXT_INT12_0
AF3	XMMC0DATA_5/GPC3_1/EXT_INT12_1
AK7	XMMC0DATA_6/GPC3_2/EXT_INT12_2
AJ9	XMMC0DATA_7/GPC3_3/EXT_INT12_3
AK9	XMMC0RDQS/GPC0_7/EXT_INT9_7
AE3	XMMC0RESETOUT/GPD1_0/EXT_INT14_0

MMC

CH0	VDDQ_MMC0 (1.8V)
-----	------------------

UFS

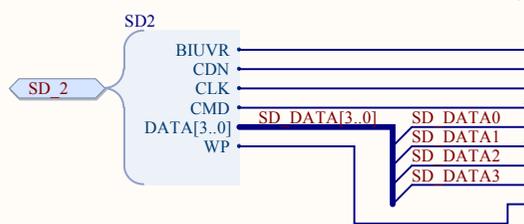
VDDQ_EXT (1.8V)	XUFSNRESET/ETC6_7	Y3
VDD_RX_UFS (1.0V)	XUFSRXDN0	AJ4
	XUFSRXDP0	AJ3
	XUFSRXDN1	AH4
	XUFSRXDP1	AH3
VDD_TX_UFS (1.0V)	XUFSTXDN0	AL4
	XUFSTXDP0	AL3
	XUFSTXDN1	AM4
	XUFSTXDP1	AM3

<del>AC3</del>	<del>XMMC1BEPW/GPD1_2/EXT_INT14_2</del>
<del>AK10</del>	<del>XMMC1CDN/GPC1_2/EXT_INT10_2</del>
<del>AD2</del>	<del>XMMC1CLK/GPC1_0/EXT_INT10_0</del>
<del>AD1</del>	<del>XMMC1CMD/GPC1_1/EXT_INT10_1</del>
<del>AJ10</del>	<del>XMMC1DATA_0/GPC1_3/EXT_INT10_3</del>
<del>AH8</del>	<del>XMMC1DATA_1/GPC1_4/EXT_INT10_4</del>
<del>AJ5</del>	<del>XMMC1DATA_2/GPC1_5/EXT_INT10_5</del>
<del>AJ6</del>	<del>XMMC1DATA_3/GPC1_6/EXT_INT10_6</del>
<del>AC2</del>	<del>XMMC1DATA_4/GPD1_4/EXT_INT14_4</del>
<del>AC1</del>	<del>XMMC1DATA_5/GPD1_5/EXT_INT14_5</del>
<del>AB2</del>	<del>XMMC1DATA_6/GPD1_6/EXT_INT14_6</del>
<del>AH5</del>	<del>XMMC1DATA_7/GPD1_7/EXT_INT14_7</del>
<del>AH6</del>	<del>XMMC1INTN/GPD1_1/EXT_INT14_1</del>
<del>AD3</del>	<del>XMMC1RDQS/GPC1_7/EXT_INT10_7</del>
<del>AB3</del>	<del>XMMC1WP/GPD1_3/EXT_INT14_3</del>

CH1

VDDQ_MMC1 (1.8V)	VDD_CMN_UFS (1.0V)
------------------	--------------------

XUFSXTI	AP1
XUFSXTO	AN1
XUFSREFCLK	AK4
XUFSREFCLK_OUT	AK3
XUFSREXT	AH2

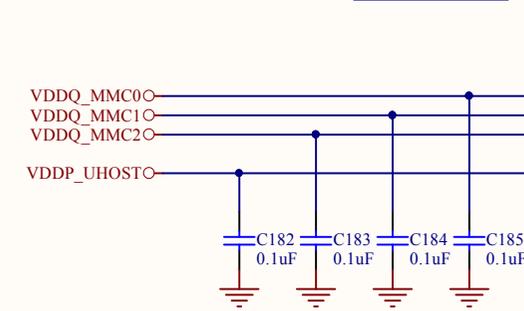


CH2

VDDQ_MMC2 (1.8V/2.8V)
-----------------------

1.0V 60mA	VDD_CMN_UFS
1.0V 60mA	VDD_RX_UFS
1.0V 60mA	VDD_TX_UFS

AK1
AL1
AJ1



VDDQ_MMC0	1.8V 150mA
VDDQ_MMC1	1.8V 150mA
VDDQ_MMC2	2.8V 250mA
VDDP_MMC	1.8V 50mA

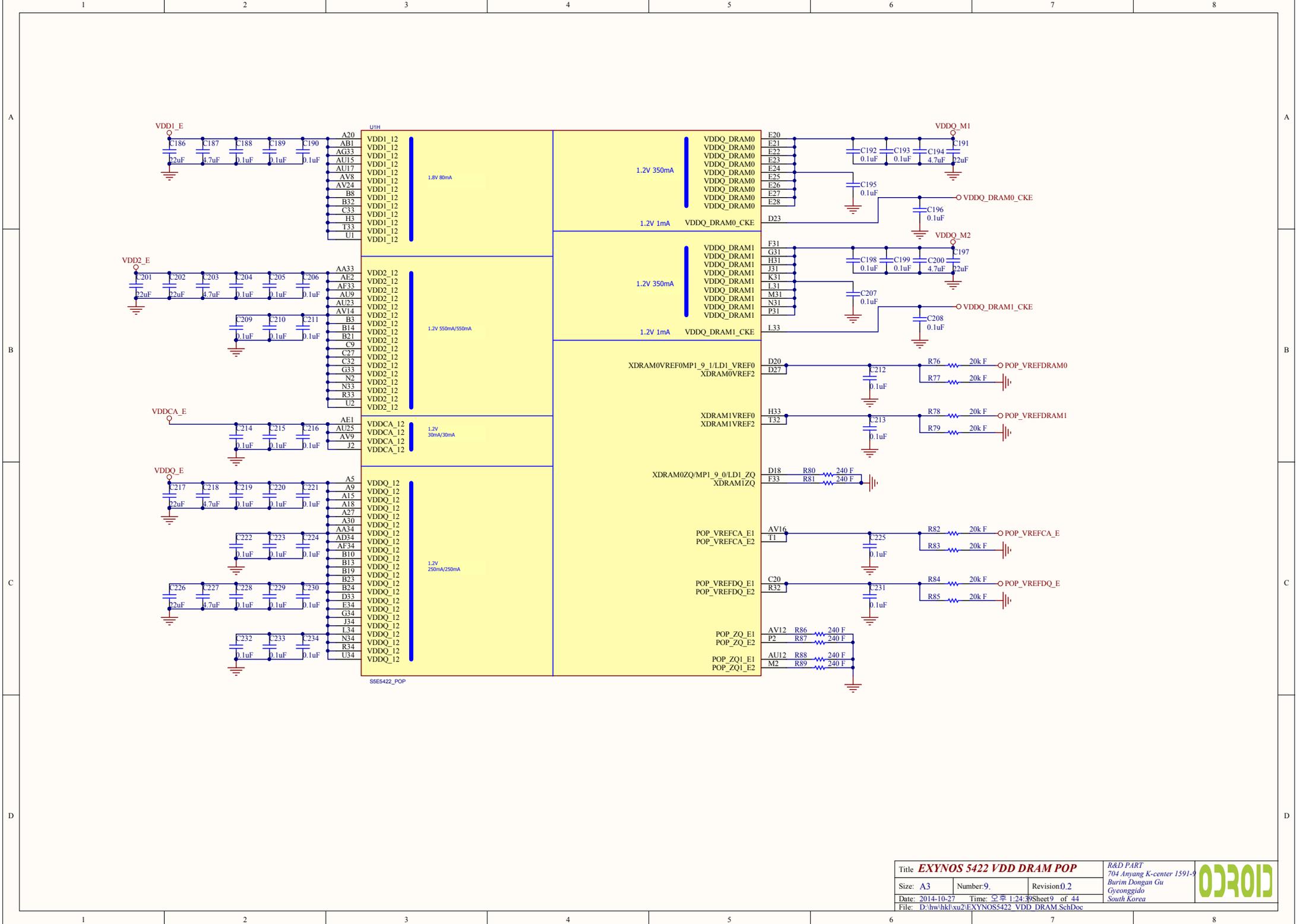
1.8V 5mA	VDD_UFS_OSC
1.8V 1mA	VDDH_CMN_UFS

AN2	VDD_UFS_OSC
AK2	

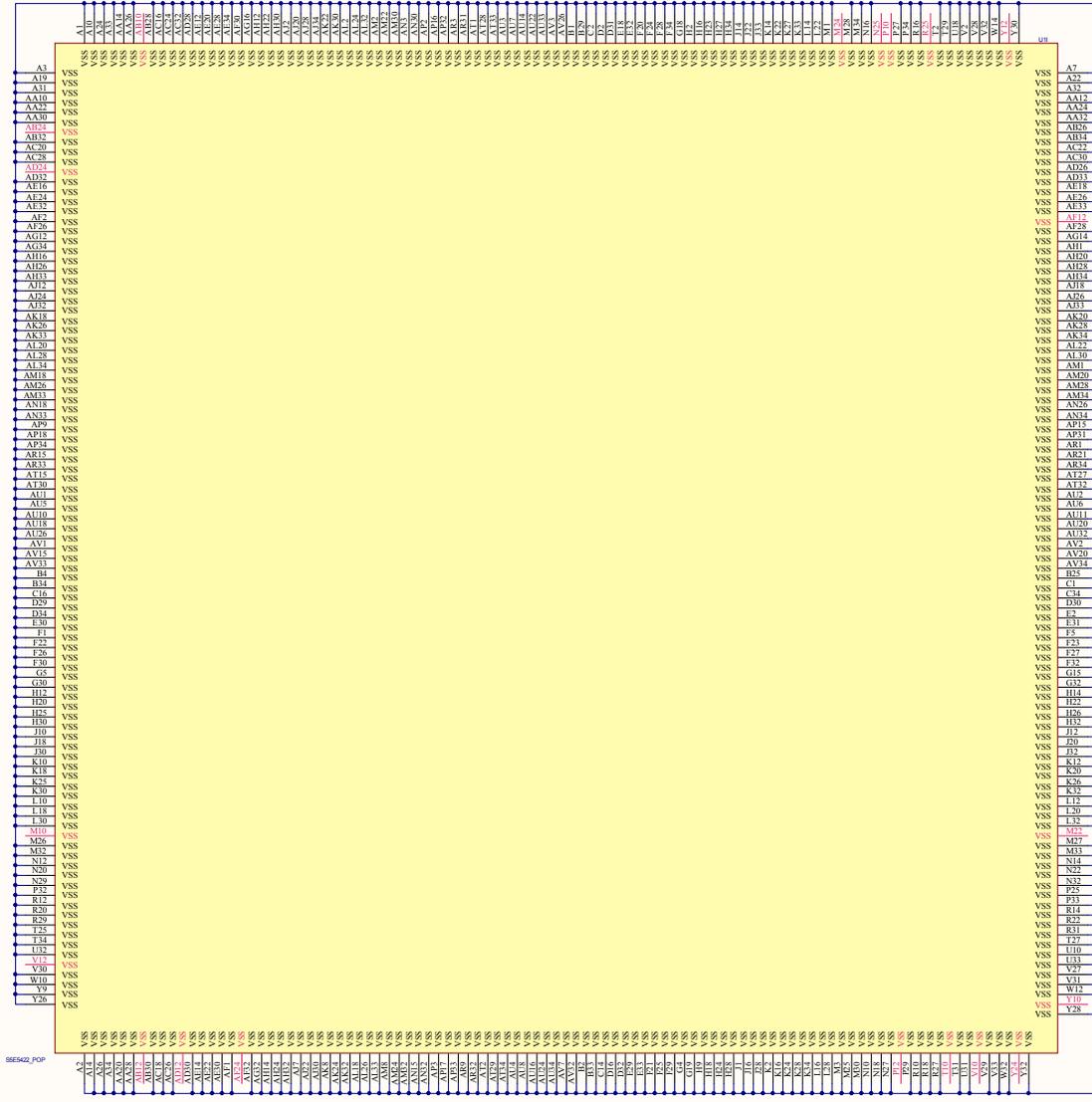
Title <b>EXYNOS 5422 MMC UFS</b>			R&D PART
Size: A4			704 Anyang K-center 1591-9
Number: 8.			Burim Dongan Gu
Revision: 0.2			Gyeonggi-do
Date: 2014-10-27	Time: 오후 1:24:39	Sheet 8 of 44	South Korea
File: D:\hw\hkl\xu2\EXYNOS5422_MMC_UFS.SchDoc			







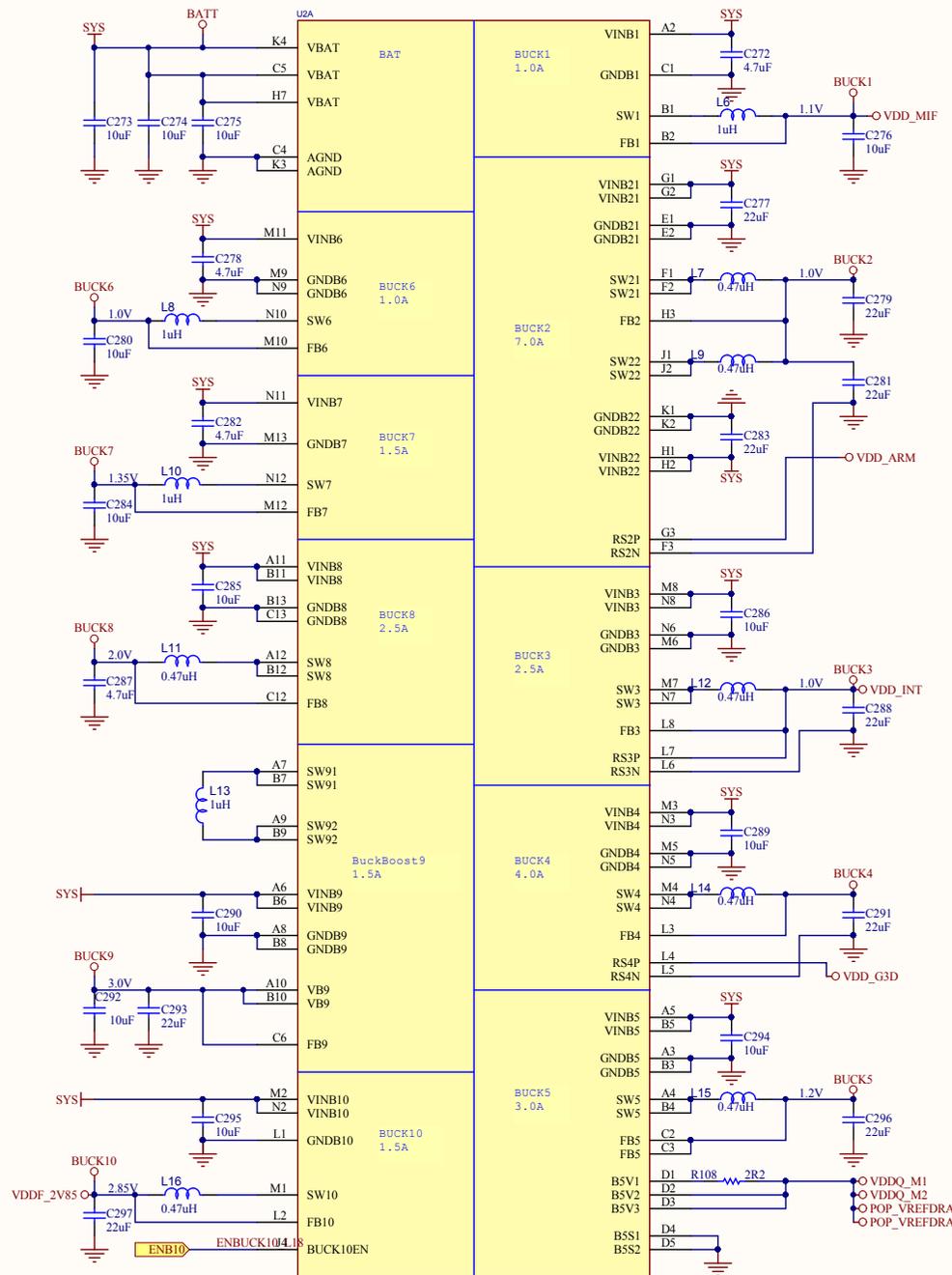




U31			
Y22	NC0	NC39	AA11
Y20	NC1	NC40	AA15
Y19	NC1	NC41	AA16
Y18	NC2	NC41	AA19
Y17	NC3	NC42	AA18
NC4	NC4	NC43	AA19
Y16	NC5	NC44	AA19
Y14	NC7	NC45	AA19
W31	NC6	NC45	AB14
W19	NC8	NC47	AB16
W18	NC7	NC46	AB18
W17	NC9	NC46	AB20
W16	NC10	NC49	AB22
W15	NC11	NC50	AC11
W12	NC12	NC54	AC17
W13	NC13	NC51	AC15
W22	NC14	NC51	AC19
W20	NC15	NC54	AC19
W19	NC16	NC55	AC11
W18	NC17	NC56	AD14
W17	NC18	NC57	AD16
W16	NC18	NC57	AD18
W14	NC19	NC58	AD20
W13	NC20	NC59	AD22
W12	NC21	NC60	AD22
W11	NC22	NC61	R14
W10	NC23	NC62	R15
W15	NC24	NC63	R17
W13	NC25	NC64	R19
W12	NC26	NC66	R31
W10	NC27	NC66	T14
W18	NC27	NC66	T16
W18	NC28	NC67	T16
W13	NC29	NC68	AF16
W17	NC30	NC69	P28
W15	NC31	NC70	AF18
W19	NC32	NC71	P14
W17	NC34	NC71	P25
AE19	NC34	NC71	AF20
AE17	NC34	NC71	P16
AE19	NC35	NC74	AF14
E21	NC36	NC74	AF22
AE13	NC37	NC76	AF22
AE15	NC38	NC77	P18

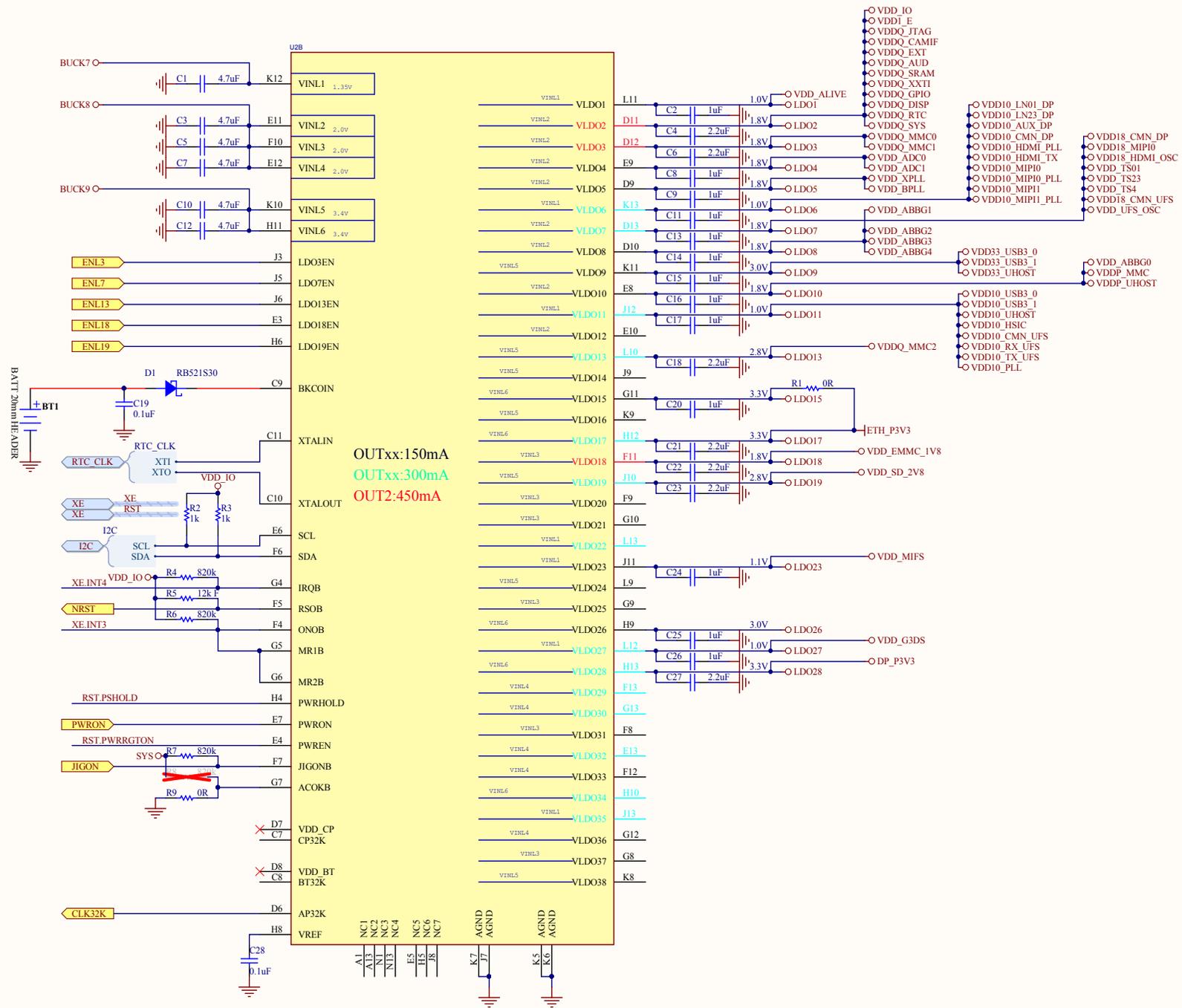
BSE422\_POP





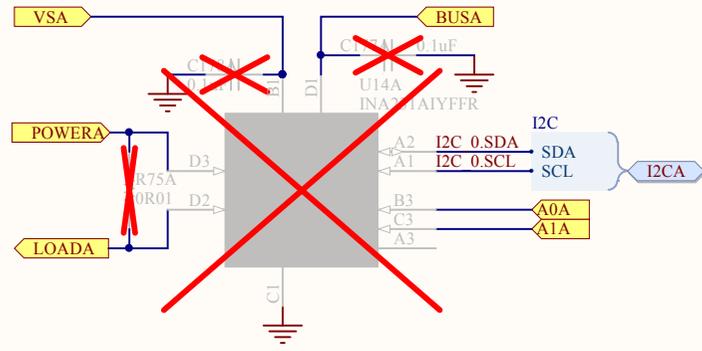
S2MPS11B 4TH  
 I2C ADDR : 0x0C(F0) 0x0C(RTC)

- VDD MEM
- VDDCA\_E
- VDD2\_E
- POP\_VREFCA\_E
- VDDQ\_DRAM0\_CKE
- VDDQ\_DRAM1\_CKE
- VDDQ\_E
- POP\_VREFDQ\_E

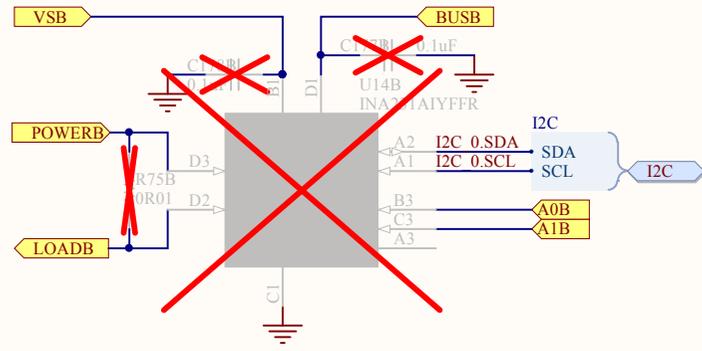


S2MPS11X\_8  
 I2C ADDR : 0xCC(PI) 0x0C(RTC)

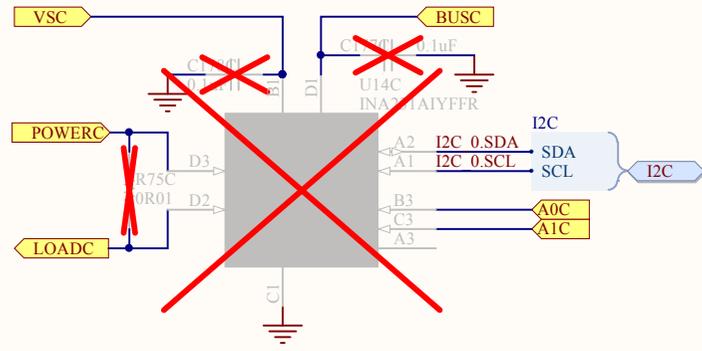




Title <b>Current Sensor</b>			Hardkernel Co.,LTD. 704 Anyang K-center 1591-5 Burim, Dongangu, Anyang Kyeonggido South Korea	
Size: A4	Number:14.1	Revision:0.2		
Date: 2014-10-27	Time: 오후 1:24:40	Sheet 14. bf 44		
File: D:\hw\hkl\xu2\INA231.SchDoc				

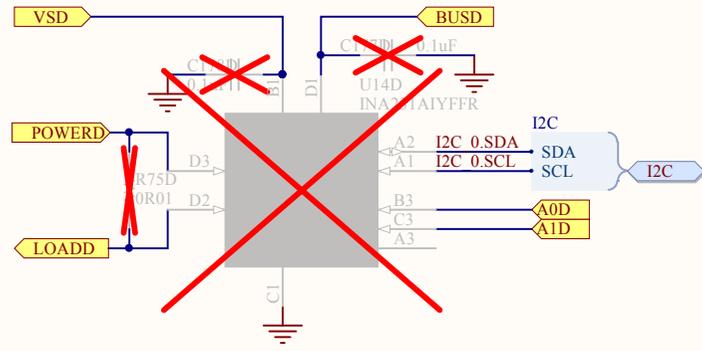


Title <b>Current Sensor</b>			Hardkernel Co.,LTD. 704 Anyang K-center 1591-5 Burim, Dongangu, Anyang Kyeonggido South Korea	
Size: A4	Number:14.2	Revision:0.2		
Date: 2014-10-27	Time: 오후 1:24:40	Sheet 14.2 of 44		
File: D:\hw\hkl\xu2\INA231.SchDoc				

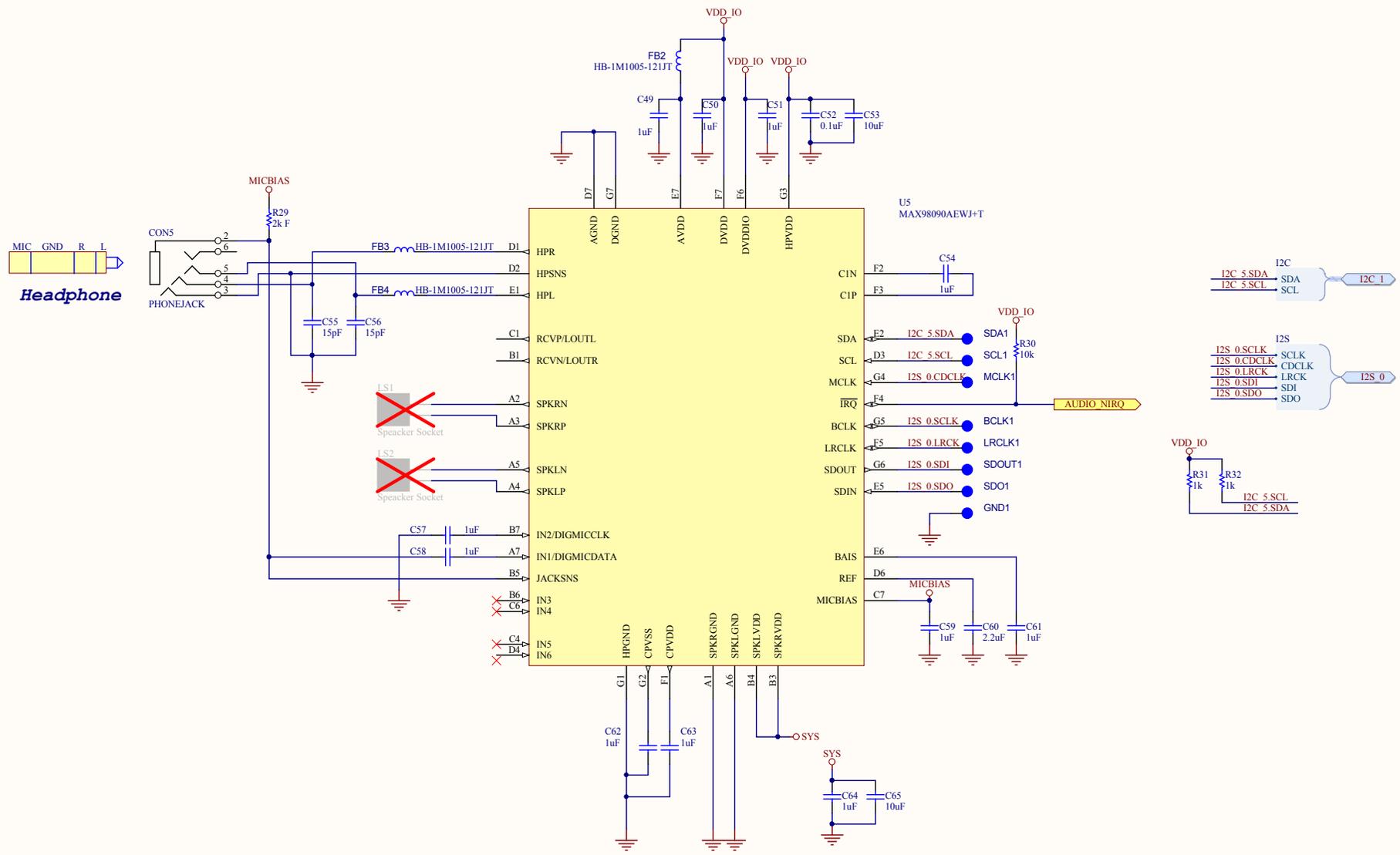


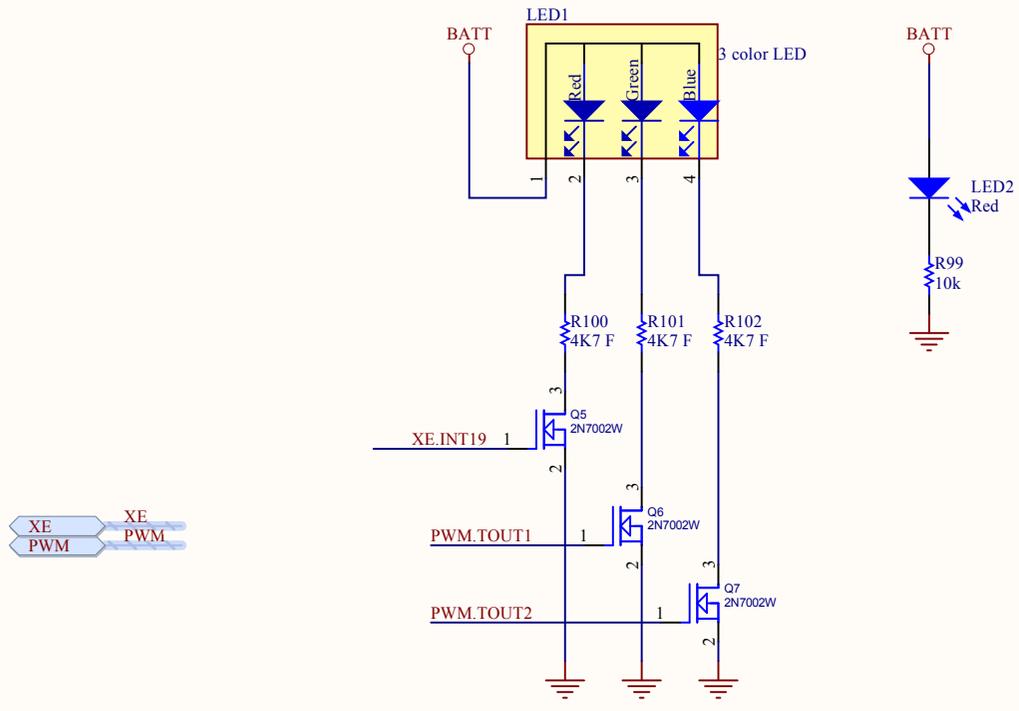
Title <b>Current Sensor</b>			Hardkernel Co.,LTD. 704 Anyang K-center 1591-5 Burim, Dongangu, Anyang Kyeonggido South Korea	
Size: A4	Number:14.3	Revision:0.2		
Date: 2014-10-27	Time: 오후 1:24:40	Sheet 14. of 44		
File: D:\hw\hkl\xu2\INA231.SchDoc				



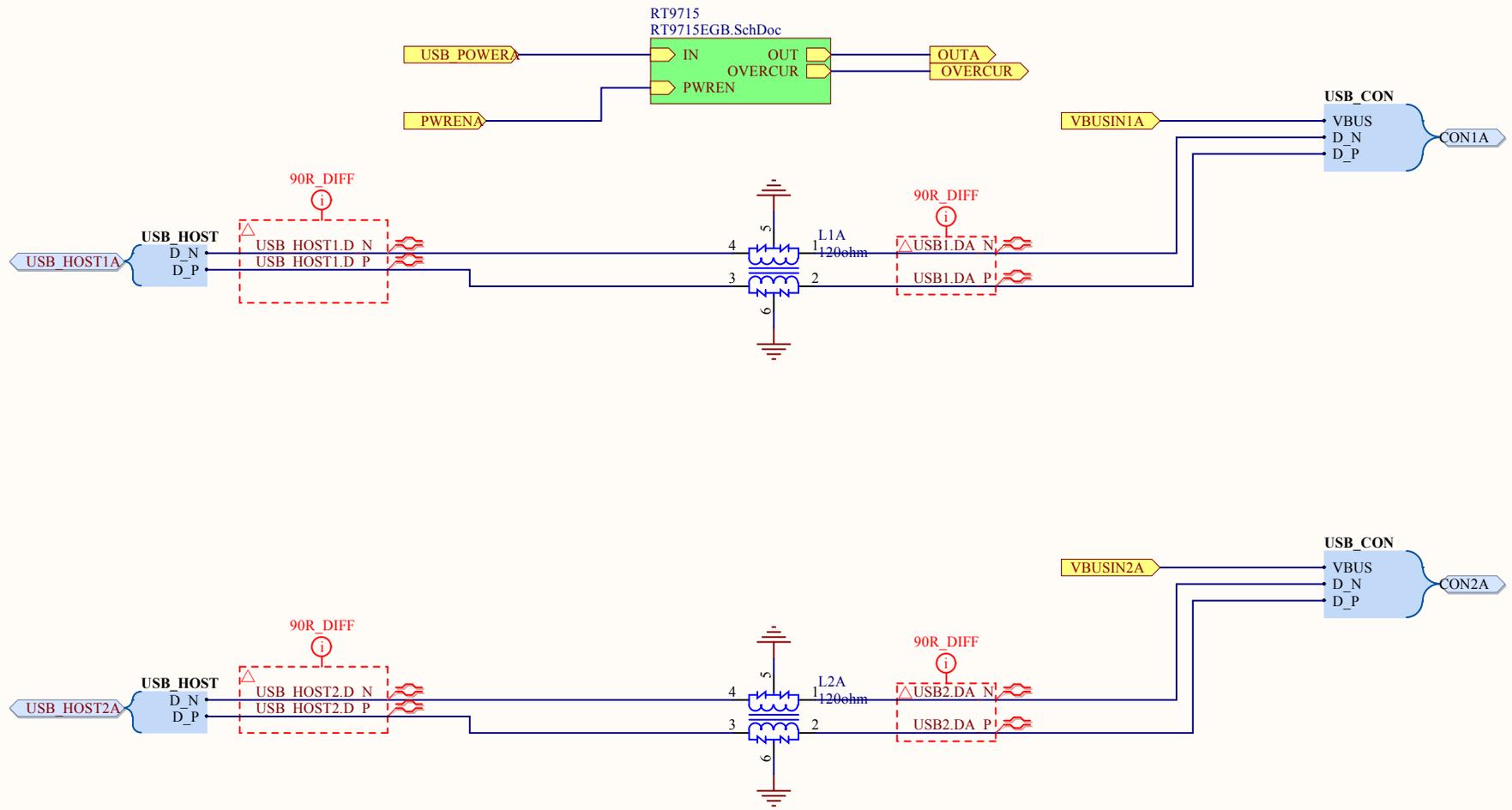


Title <b>Current Sensor</b>			Hardkernel Co.,LTD. 704 Anyang K-center 1591-5 Burim, Dongangu, Anyang Kyeonggido South Korea	
Size: A4	Number:14.4	Revision:0.2		
Date: 2014-10-27	Time: 오후 1:24:40	Sheet 14 of 44		
File: D:\hw\hkl\xu2\INA231.SchDoc				

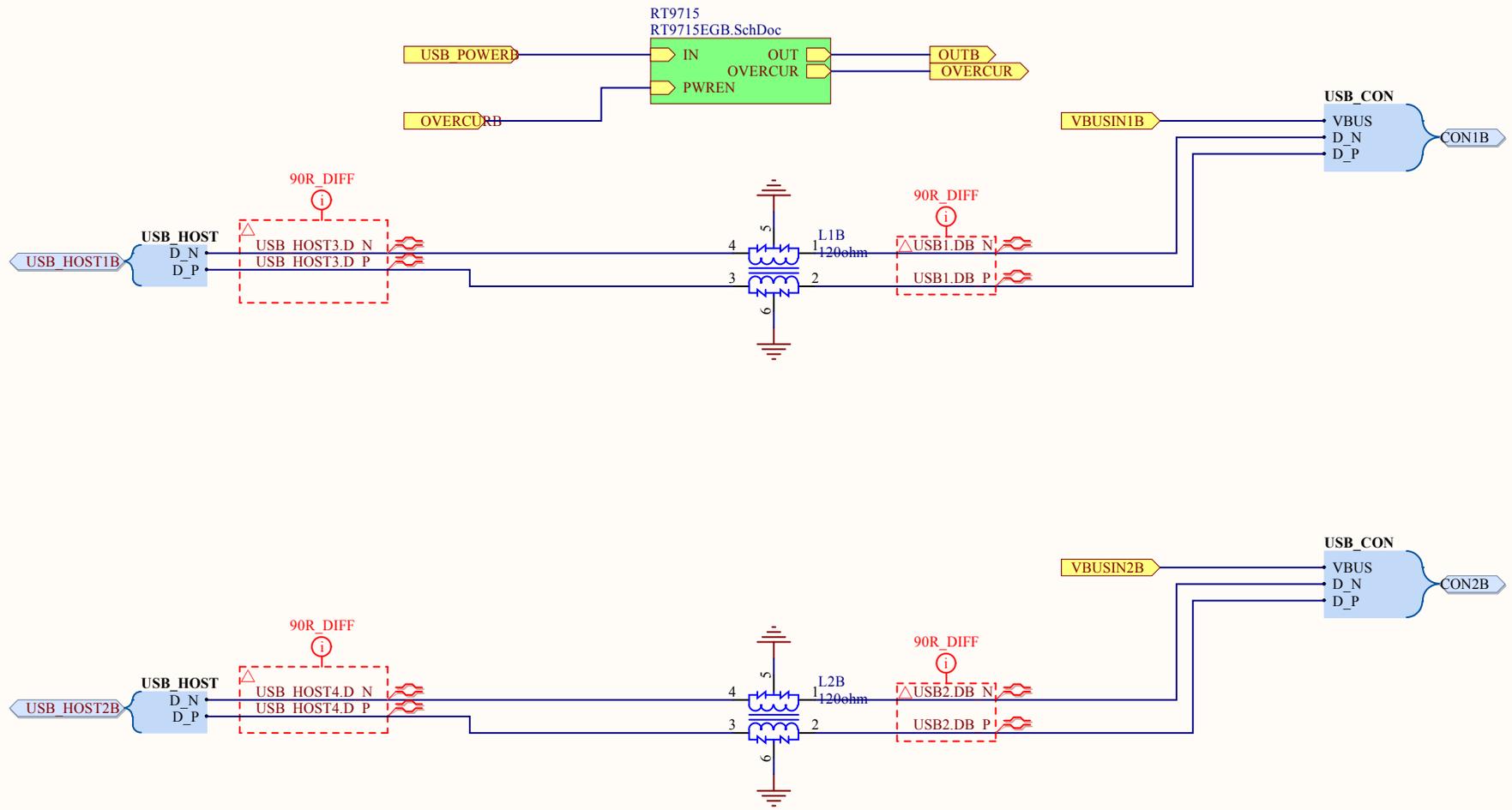




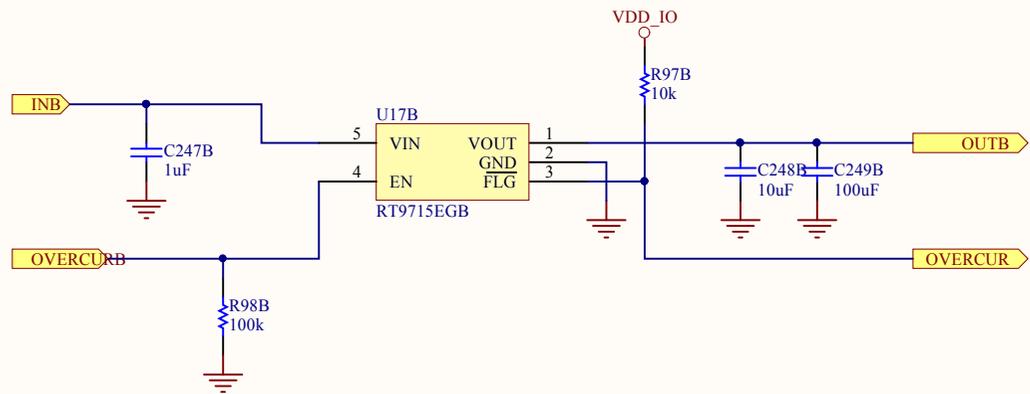
Title <b>LEDs</b>			Hardkernel Co.,LTD. 704 Anyang K-center 1591-9 Burim Dongan Gu Gyeonggido South Korea	
Size: A4	Number:16.	Revision:0.2		
Date: 2014-10-27	Time: 오후 1:24:41	Sheet 16 of 44		
File: D:\hw\hkl\xu2\XU_LEDS.SchDoc				



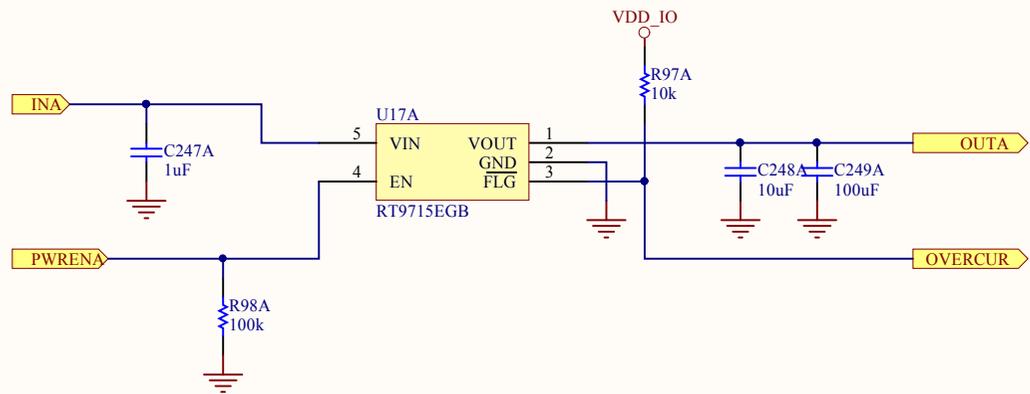
Title <b>USB HOST Power Switch</b>			Hardkernel Co.,LTD. 704 Anyang K-center 1591-9 Burim, Dongangu, Anyang Gyeonggido South Korea	
Size: A4	Number:17.1	Revision:0.2		
Date: 2014-10-27	Time: 오후 1:24:41	Sheet:17. bf 44		
File: D:\hw\hkl\xu2\USB_HOST_PWR_SW_RT9715.SchDoc				



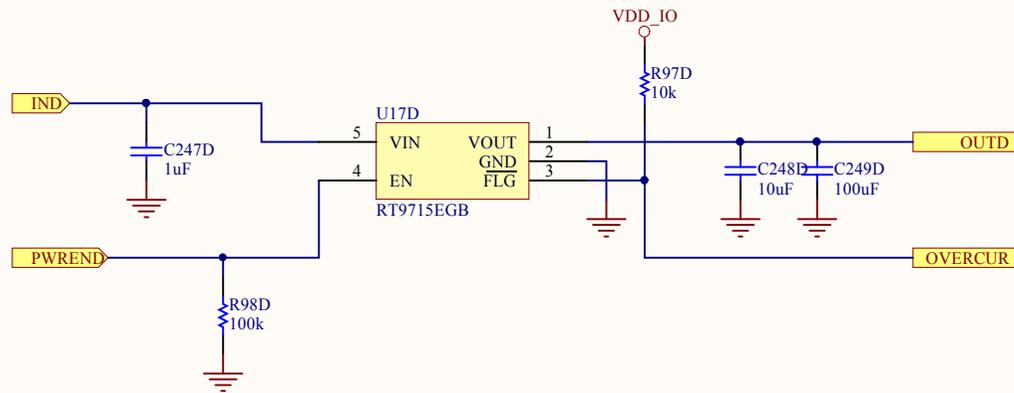
Title <b>USB HOST Power Switch</b>			Hardkernel Co.,LTD. 704 Anyang K-center 1591-9 Burim, Dongangu, Anyang Gyeonggido South Korea	
Size: A4	Number:17.2	Revision:0.2		
Date: 2014-10-27	Time: 오후 1:24:41	Sheet:17 of 44		
File: D:\hw\hkl\xu2\USB_HOST_PWR_SW_RT9715.SchDoc				



Title <b>USB HOST Power Switch</b>			Hardkernel Co.,LTD. 704 Anyang K-center 1591-9 Burim, Dongangu, Anyang Gyeonggido South Korea	
Size: A4	Number:18.1.1	Revision:0.2		
Date: 2014-10-27	Time: 오후 1:24:41	Sheet 18. bfl 44		
File: D:\hw\hkl\xu2\RT9715EGB.SchDoc				

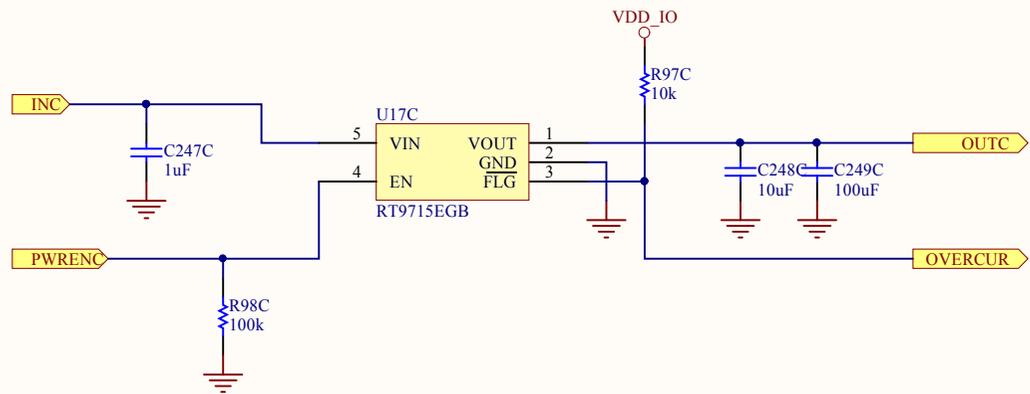


Title <b>USB HOST Power Switch</b>			Hardkernel Co.,LTD. 704 Anyang K-center 1591-9 Burim, Dongangu, Anyang Gyeonggido South Korea	
Size: A4	Number:18.1.1	Revision0.2		
Date: 2014-10-27	Time: 오후 1:24:41	Sheet 18. bfl 44		
File: D:\hw\hkl\xu2\RT9715EGB.SchDoc				

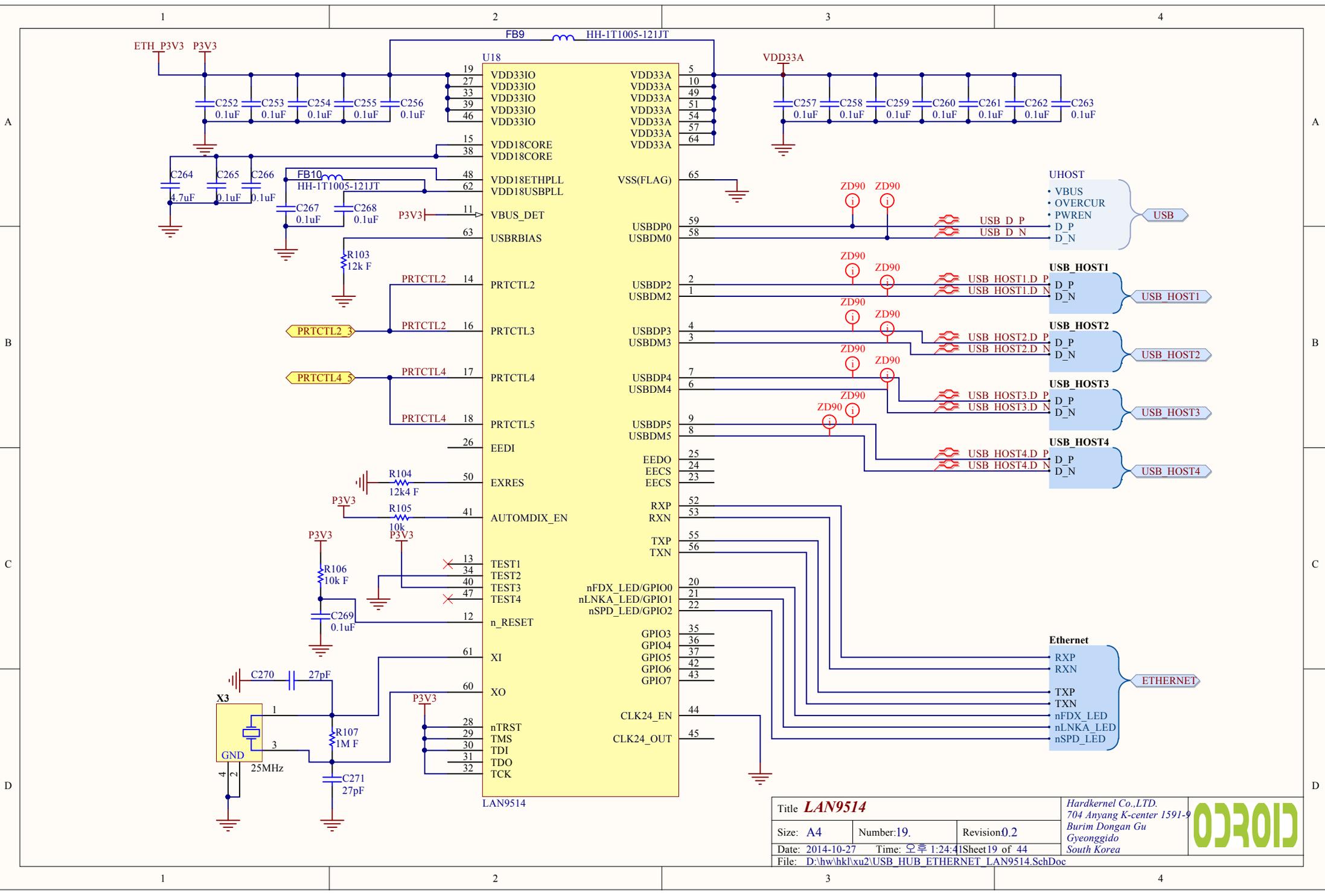


Title <b>USB HOST Power Switch</b>			Hardkernel Co.,LTD. 704 Anyang K-center 1591-9 Burim, Dongangu, Anyang Gyeonggido South Korea	
Size: A4	Number:18.2.1	Revision:0.2		
Date: 2014-10-27	Time: 오후 1:24:41	Sheet 18.2 of 44		
File: D:\hw\hkl\xu2\RT9715EGB.SchDoc				

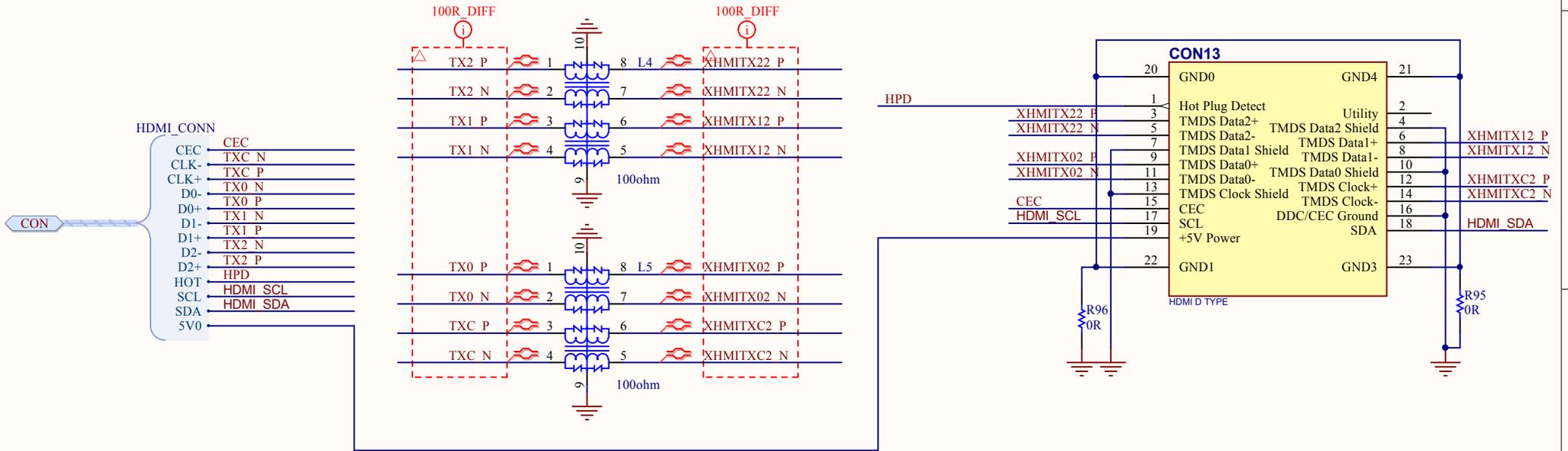




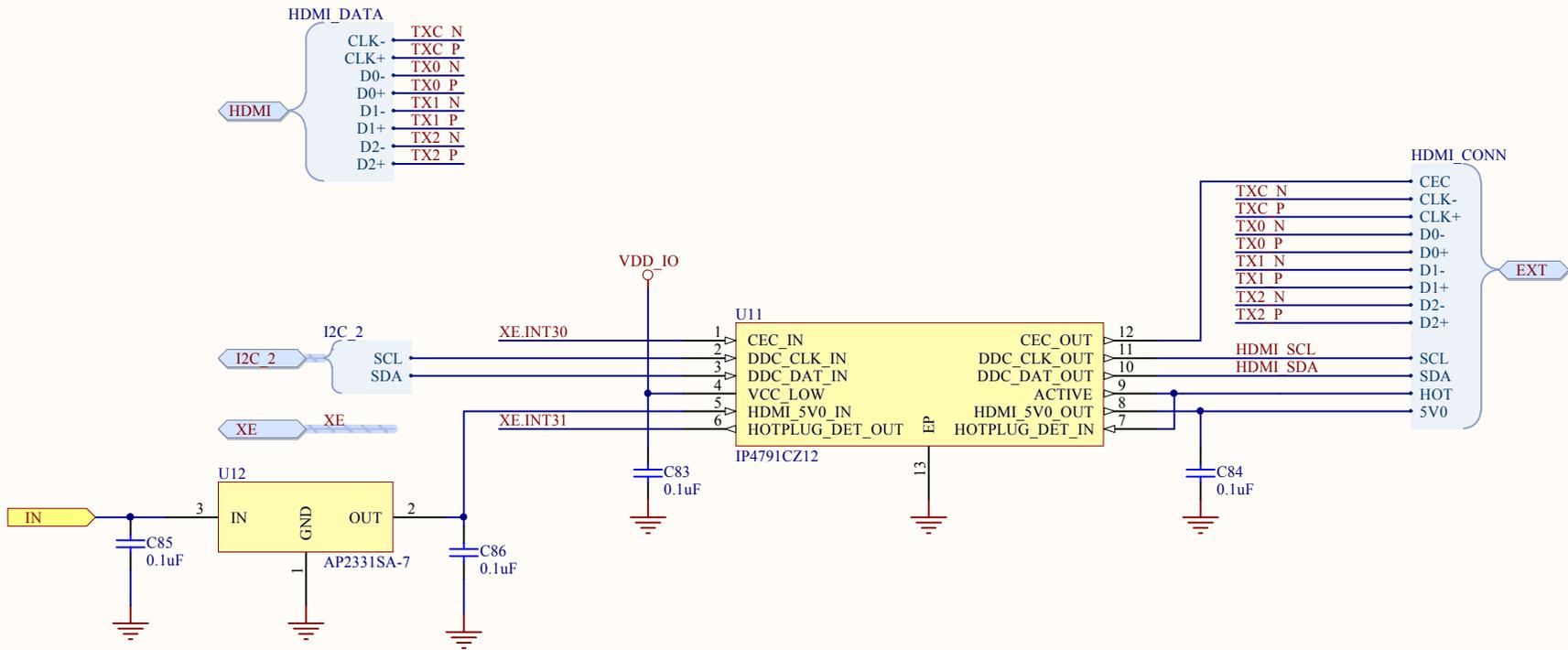
Title <b>USB HOST Power Switch</b>			Hardkernel Co.,LTD. 704 Anyang K-center 1591-9 Burim, Dongangu, Anyang Gyeonggido South Korea	
Size: A4	Number:18.2.1	Revision:0.2		
Date: 2014-10-27	Time: 오후 1:24:41	Sheet 18.2 of 44		
File: D:\hw\hkl\xu2\RT9715EGB.SchDoc				



Title <b>LAN9514</b>			Hardkernel Co.,LTD. 704 Anyang K-center 1591-9 Burim Dongan Gu Gyeonggido South Korea	
Size: A4	Number:19.	Revision:0.2		
Date: 2014-10-27	Time: 오후 1:24:41 Sheet 19 of 44			
File: D:\hw\hkl\xu2\USB_HUB_ETHERNET_LAN9514.SchDoc				

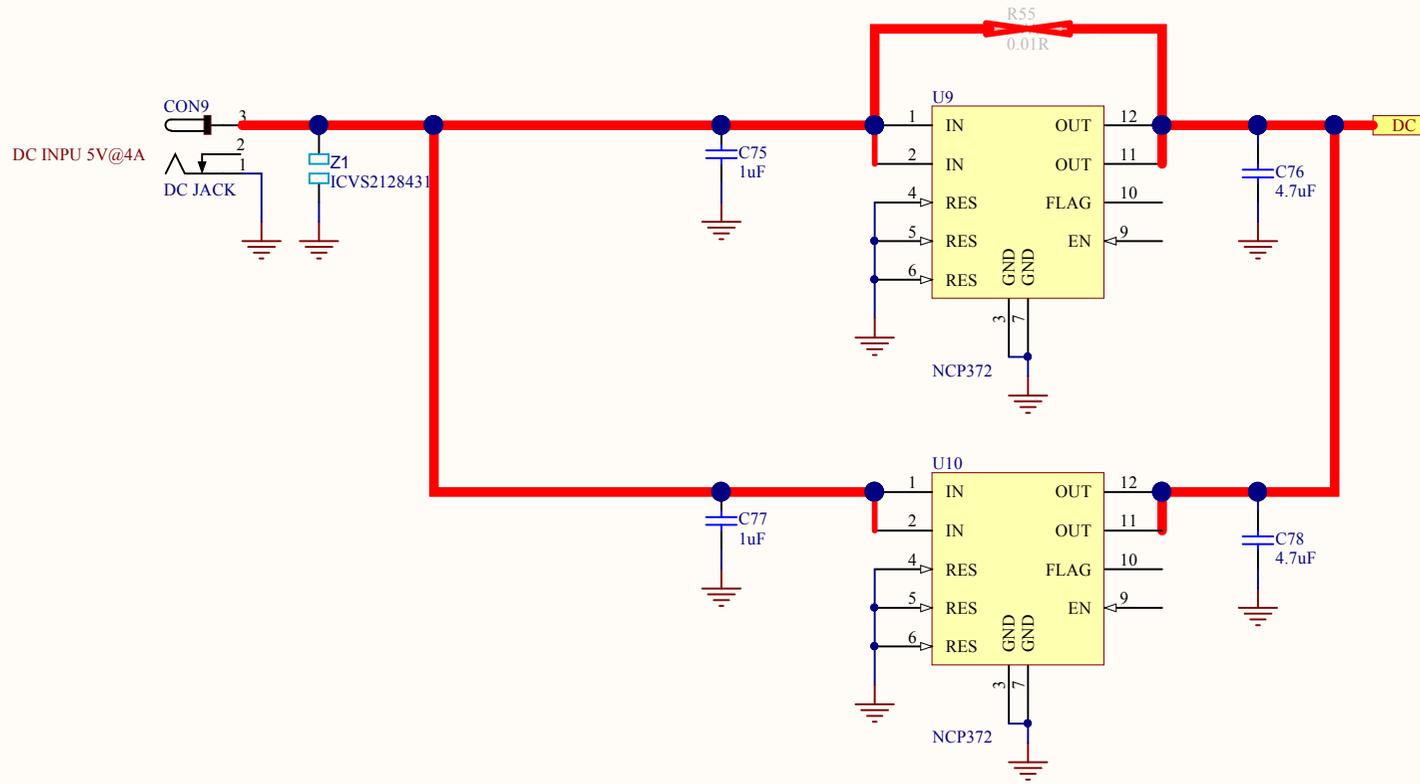


Title <b>Micro HDMI Connector</b>			Hardkernel Co.,LTD. 704 Anyang K-center 1591-5 Burim, Dongangu, Anyang Kyeonggido South Korea	
Size: A4	Number:20.	Revision:0.2		
Date: 2014-10-27	Time: 오후 1:24:41	Sheet 20 of 44		
File: D:\hw\hkl\xu2\CON_HDMI.SchDoc				

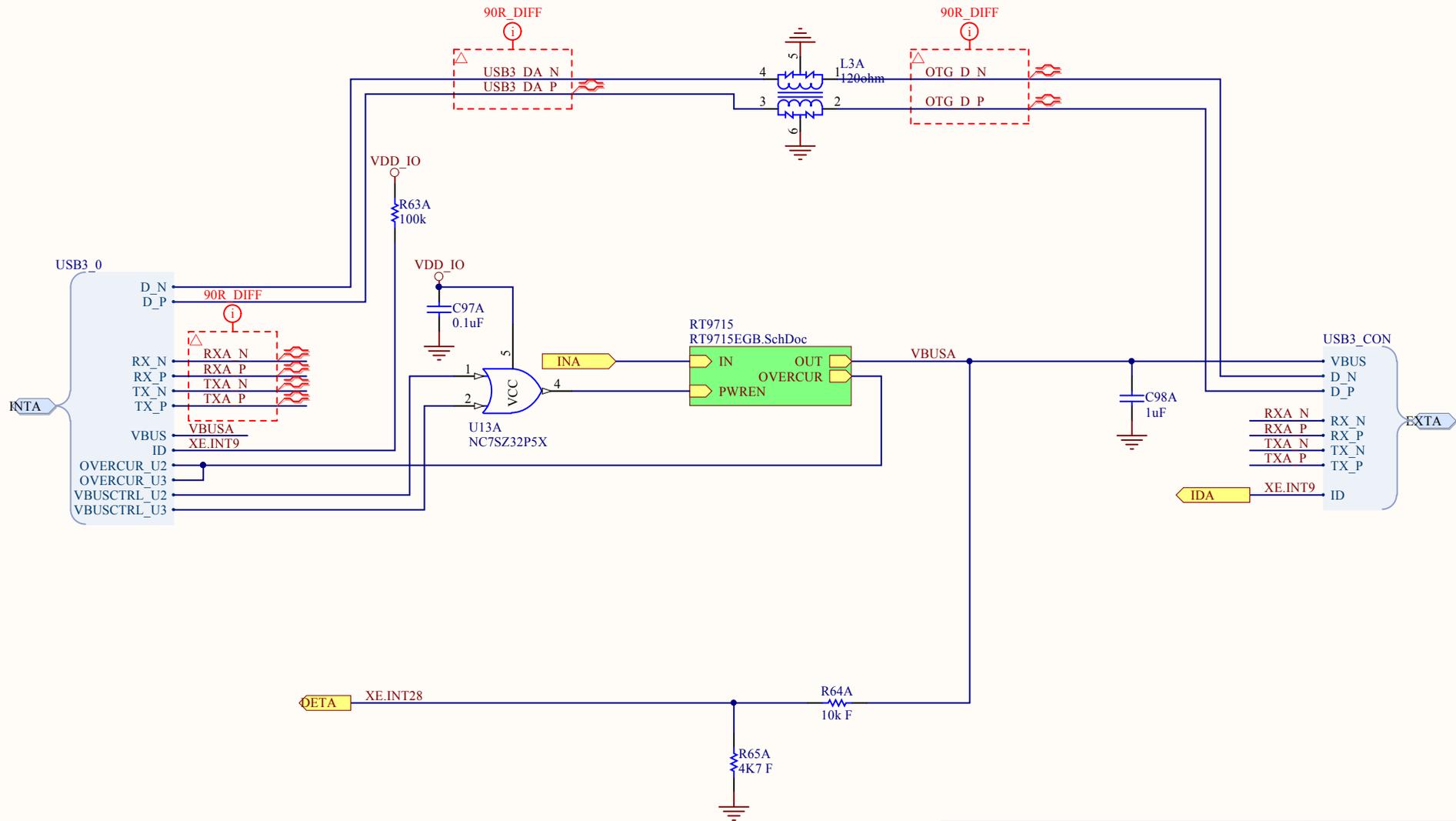


Title <b>HDMI 2C</b>			Hardkernel Co.,LTD. 704 Anyang K-center 1591-5 Burim, Dongangu, Anyang Kyeonggido South Korea
Size: A4	Number:21.	Revision:0.2	
Date: 2014-10-27	Time: 오후 1:24:42	Sheet21 of 44	
File: D:\hw\hkl\xu2\HDMI_I2C.SchDoc			

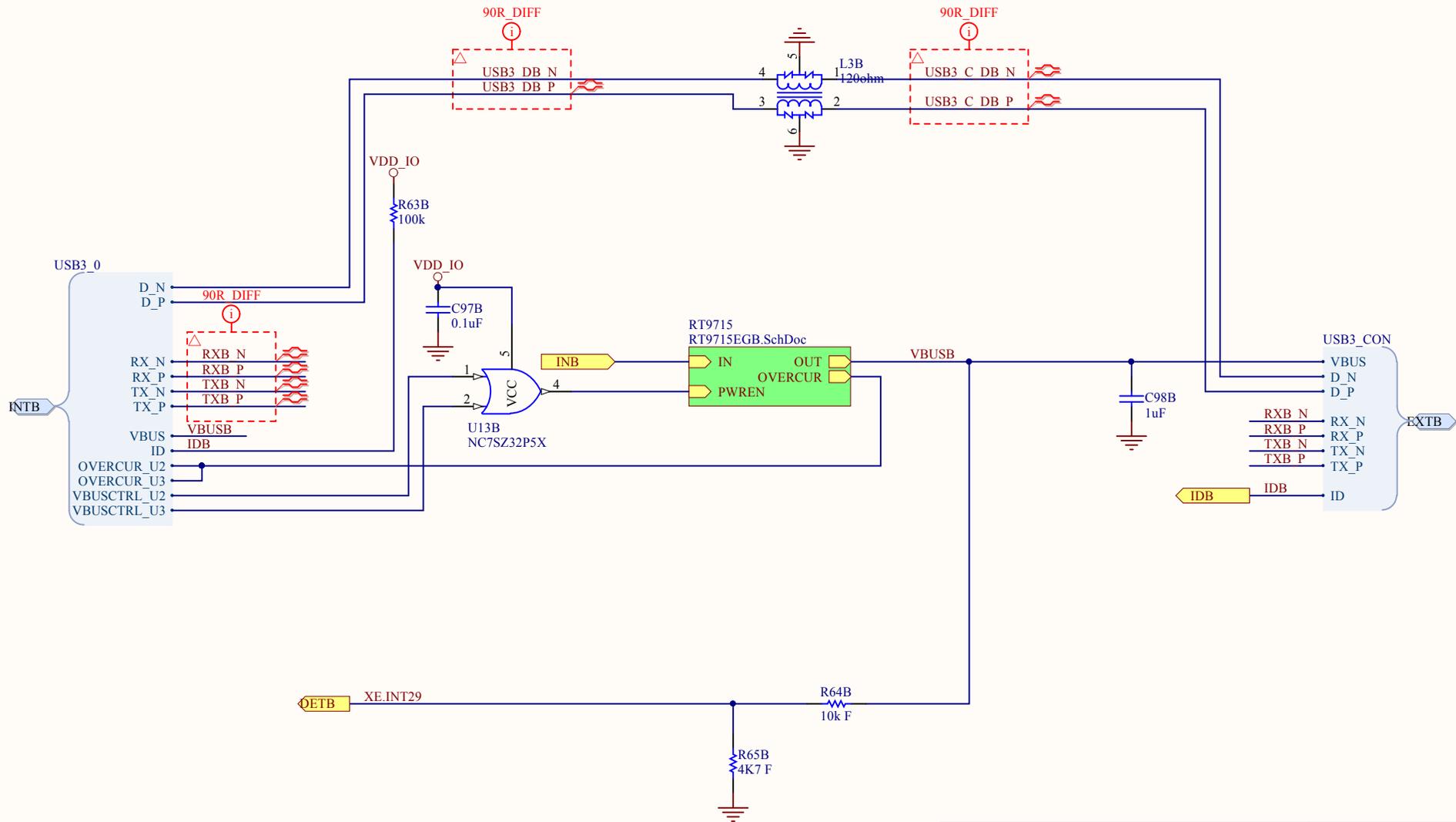




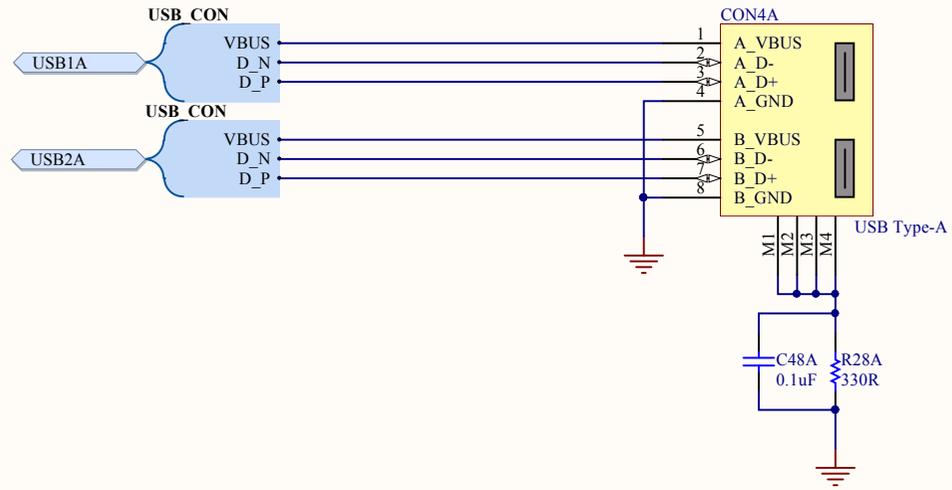
Title <b>DC Jack and Potection IC</b>			Hardkernel Co.,LTD. 704 Anyang K-center 1591-9 Burim, Dongangu, Anyang Gyeonggido South Korea
Size: A4	Number:22.	Revision:0.2	<b>ARDUINO</b>
Date: 2014-10-27	Time: 오후 1:24:42 Sheet 22 of 44		
File: D:\hw\hkl\xu2\CON_DCJACK.SchDoc			



Title <b>USB3 BUS POWER</b>			Hardkernel Co.,LTD. 1-605 Shinan Metrokhan 111 Dalandong, Dongangu, Anyang Gyeonggido South Korea	
Size: A4	Number:23.1	Revision:0.2		
Date: 2014-10-27	Time: 오후 1:24:42	Sheet:23. bf 44		
File: D:\hw\hkl\xu2\USB3_BUS_PWR.SchDoc				

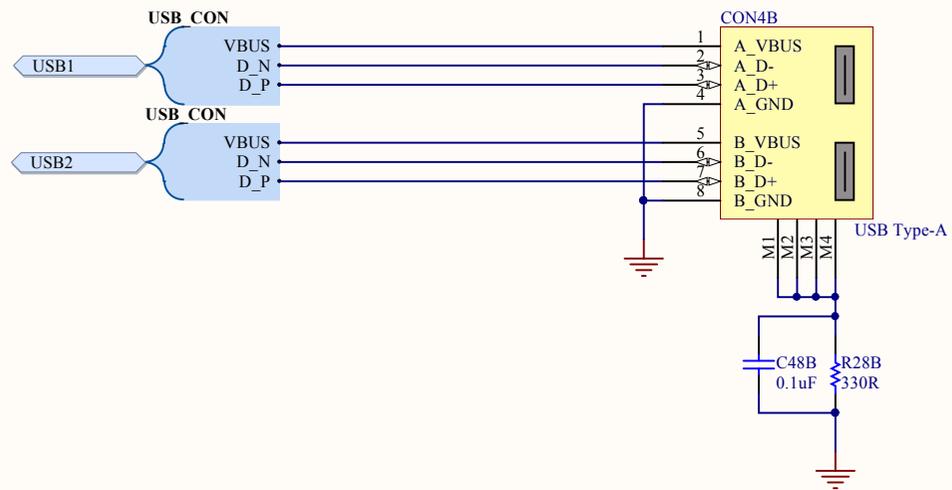


Title <b>USB3 BUS POWER</b>			Hardkernel Co.,LTD. 1-605 Shinan Metrokhan 111 Dalandong, Dongangu, Anyang Gyeonggido South Korea	
Size: A4	Number:23.2	Revision:0.2		
Date: 2014-10-27	Time: 오후 1:24:42	Sheet:23 of 44		
File: D:\hw\hkl\xu2\USB3_BUS_PWR.SchDoc				

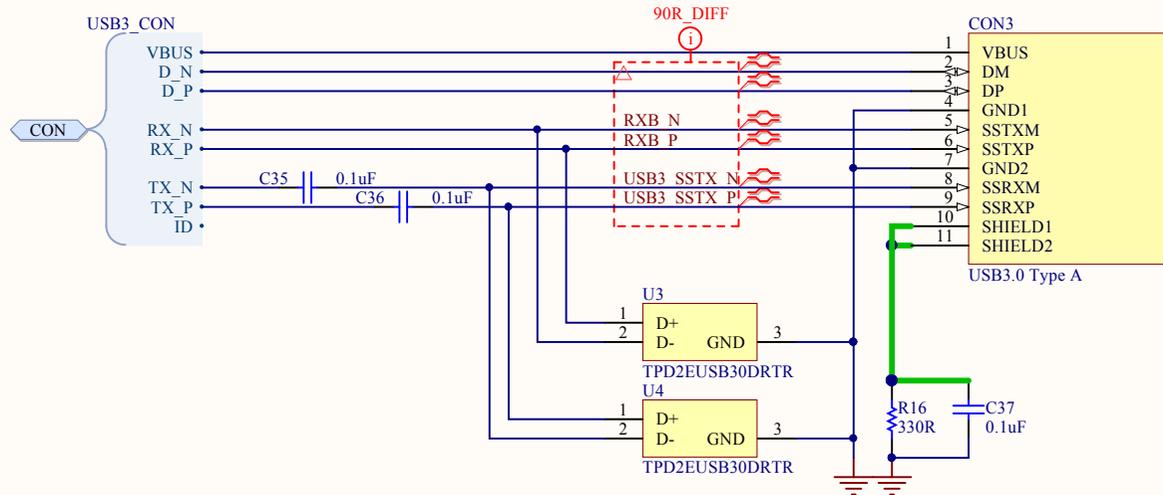


Title <b>USB 2.0 Type A Connector</b>			<i>Hardkernel Co.,LTD.</i> 1-605 Shinan Metrokhan 111 Dalandong, Dongangu, Anyang Gyeonggido South Korea	
Size: A4	Number:24.1	Revision:0.2		
Date: 2014-10-27	Time: 오후 1:24:42	Sheet:24. bf 44		
File: D:\hw\hkl\xu2\CON_USB_RA_DUAL.SchDoc				

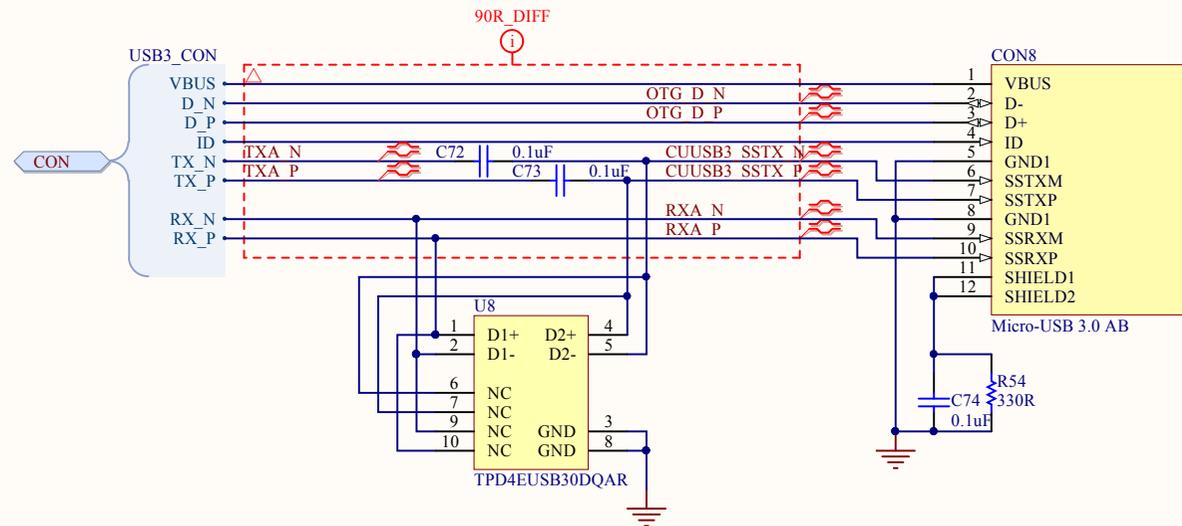




Title <b>USB 2.0 Type A Connector</b>			Hardkernel Co.,LTD. 1-605 Shinan Metrokhan 111 Dalandong, Dongangu, Anyang Gyeonggido South Korea	
Size: A4	Number:24.2	Revision:0.2		
Date: 2014-10-27	Time: 오후 1:24:42	Sheet:24 of 44		
File: D:\hw\hkl\xu2\CON_USB_RA_DUAL.SchDoc				



Title <b>USB 3.0 Type A Connector</b>			Hardkernel Co.,LTD. 1-605 Shinan Metrokhan 111, Dalandong, Dongangu, Anyang, Gyeonggido South Korea	
Size: A4	Number:25.	Revision:0.2		
Date: 2014-10-27	Time: 오후 1:24:42	Sheet 25 of 44		
File: D:\hw\hkl\xu2\CON_USB3_RA.SchDoc				



Title <b>Micro USB 3.0 Connector</b>			Hardkernel Co.,LTD. 704 Anyang K-center 1591-5 Burim, Dongangu, Anyang Kyeonggido South Korea	
Size: A4	Number:26.	Revision:0.2		
Date: 2014-10-27	Time: 오후 1:24:42	Sheet 26 of 44		
File: D:\hw\hkl\xu2\CON_USB3_MICROUSB.SchDoc				

1

2

3

4

A

A

B

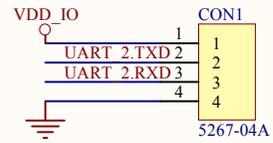
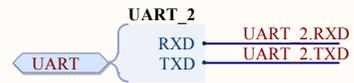
B

C

C

D

D



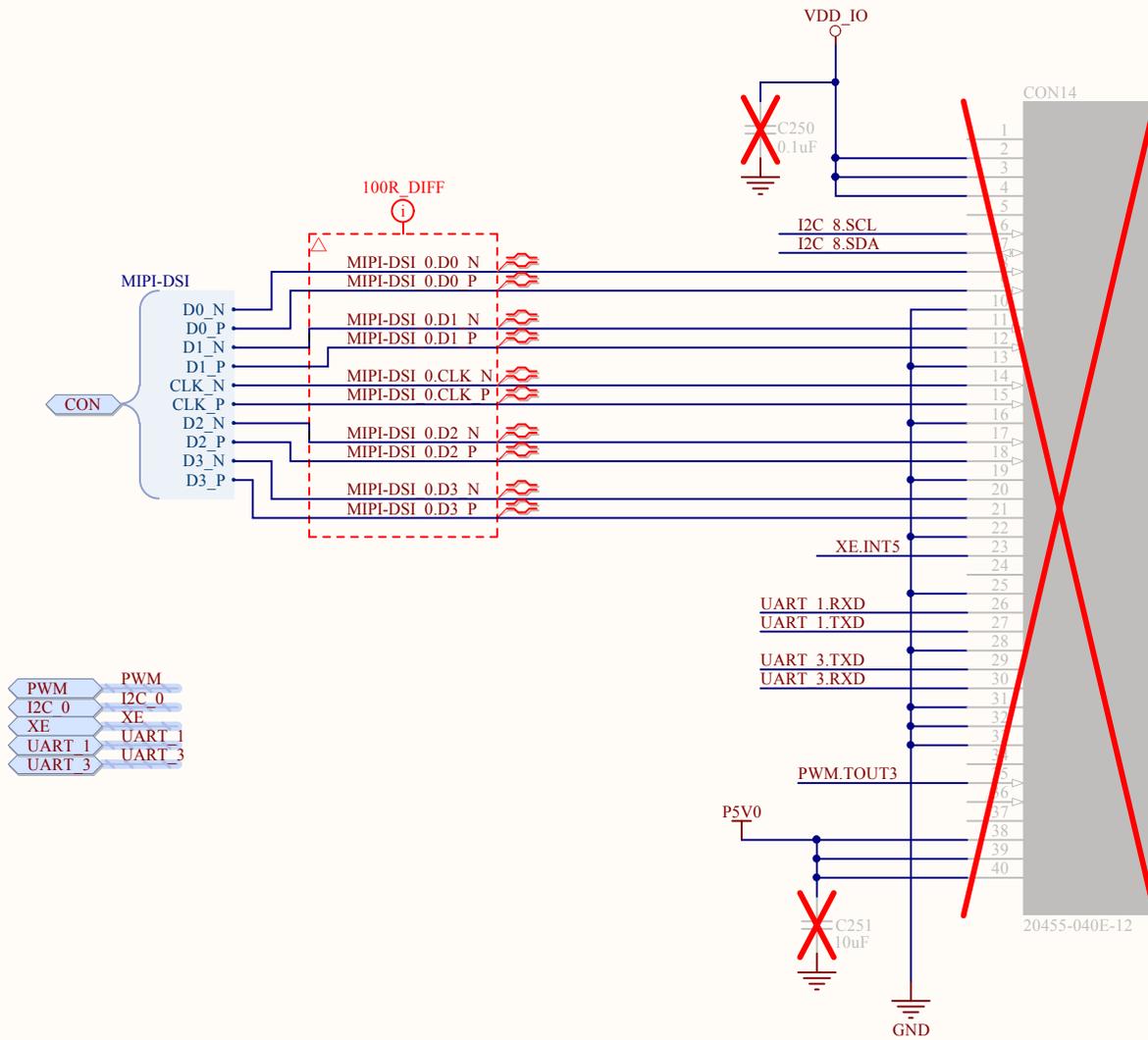
Title <b>CON_UART</b>			Hardkernel Co.,LTD. 704 Anyang K-center 1591-9 Burim, Dongangu, Anyang Gyeonggido South Korea	
Size: A4	Number:27.	Revision:0.2		
Date: 2014-10-27	Time: 오후 1:24:42 Sheet 27 of 44			
File: D:\hw\hkl\xu2\CON_UART.SchDoc				

1

2

3

4



Title <b>LCD Connector</b>			Hardkernel Co.,LTD. 704 Anyang K-center 1591-5 Burim, Dongangu, Anyang Kyeonggido South Korea	
Size: A4	Number:28.	Revision:0.2		
Date: 2014-10-27	Time: 오후 1:24:42	Sheet:28 of 44		
File: D:\hw\hkl\xu2\CON_LCD_IPEX_20455-040E-12.SchDoc				

1

2

3

4

A

A

B

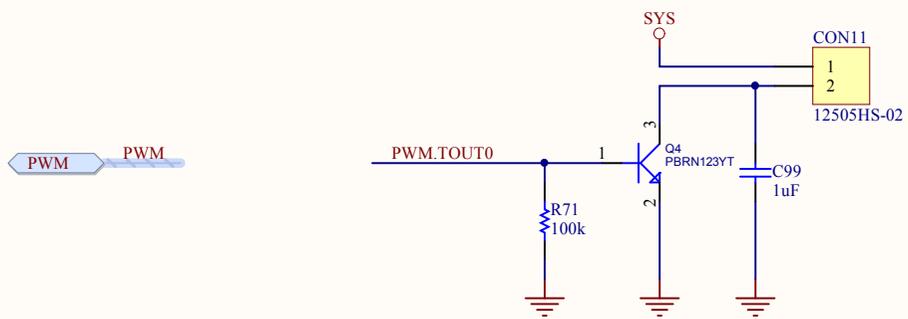
B

C

C

D

D



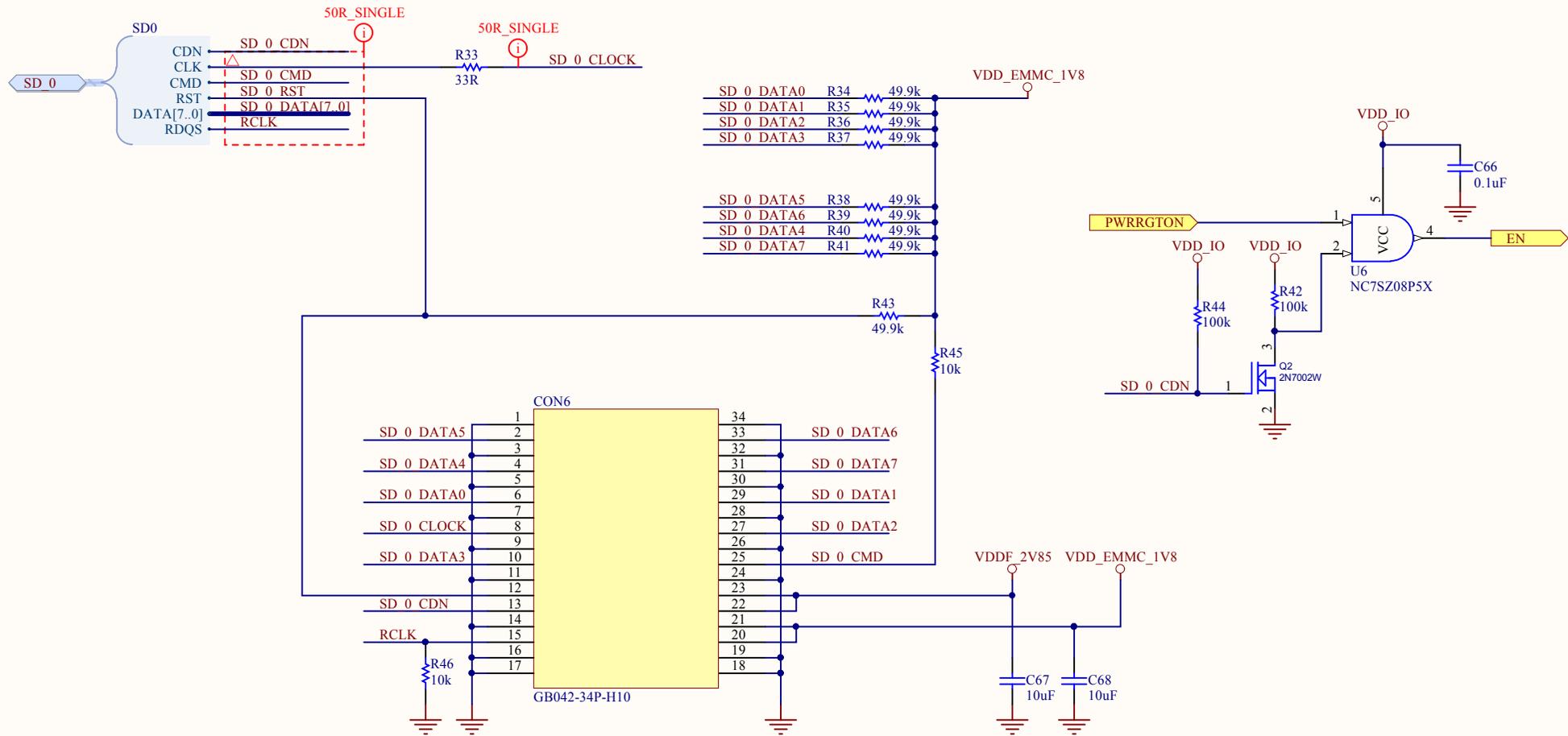
Title <b>FAN Connector</b>			Hardkernel Co.,LTD. 704 Anyang K-center 1591-9 Burim Dongan Gu Gyeonggido South Korea	
Size: A4	Number:29.	Revision:0.2		
Date: 2014-10-27	Time: 오후 1:24:43	Sheet 29 of 44		
File: D:\hw\hkl\xu2\CON_FAN.SchDoc				

1

2

3

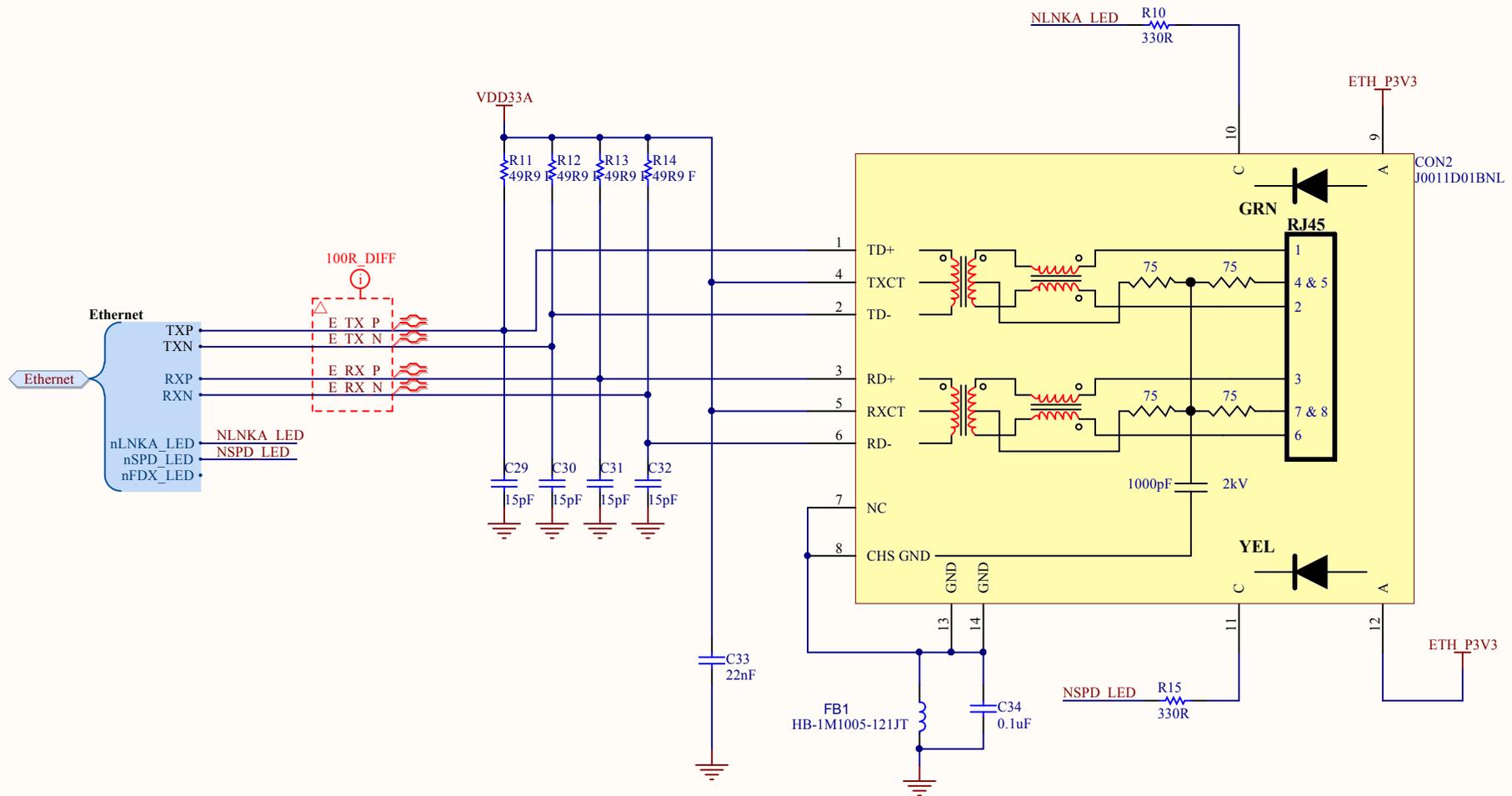
4



Title <b>CON_EMMC</b>			Hardkernel Co.,LTD. 704 Anyang K-center 1591-9 Burim Dongan Gu Gyeonggido South Korea	
Size: A4	Number:30.	Revision:0.2		
Date: 2014-10-27	Time: 오후 1:24:43	Sheet:30 of 44		
File: D:\hw\hkl\xu2\CON_EMMC.SchDoc				







Title <b>Ethernet Connector</b>			Hardkernel Co.,LTD. 704 Anyang K-center 1591-9 Burim, Dongangu, Anyang Gyeonggido South Korea	
Size: A4	Number:32.	Revision:0.2		
Date: 2014-10-27	Time: 오후 1:24:43	Sheet:32 of 44		
File: D:\hw\hkl\xu2\CON_ETHERNET.SchDoc				

1

2

3

4

A

A

B

B

C

C

D

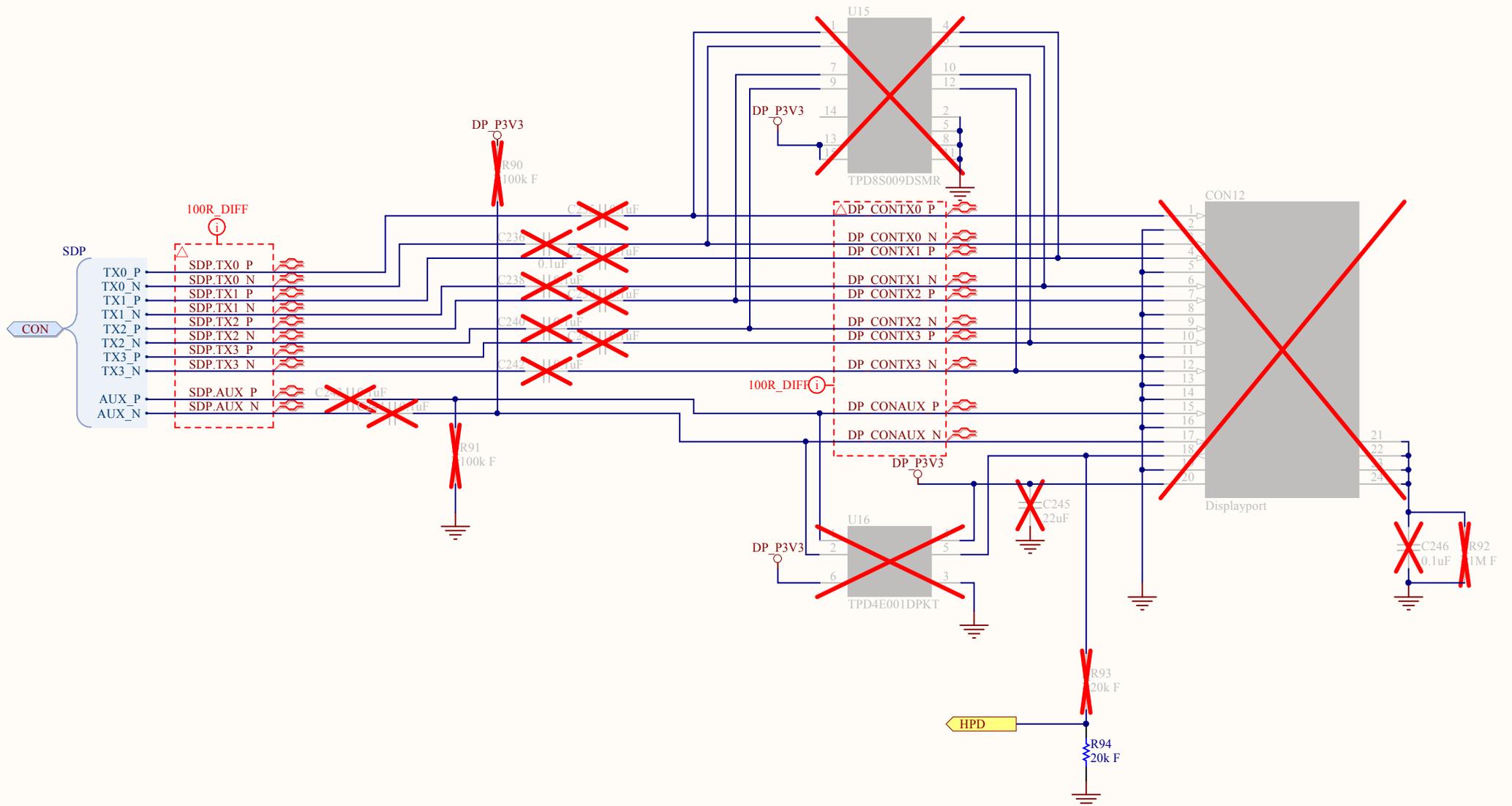
D

1

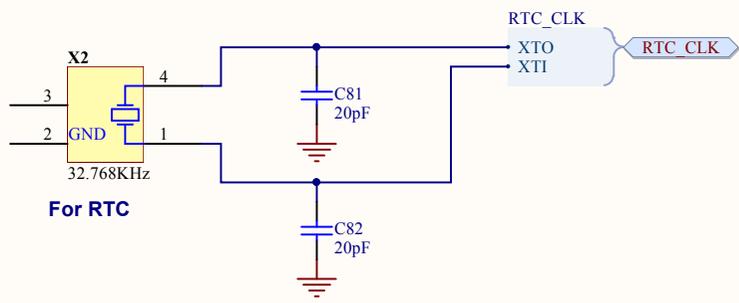
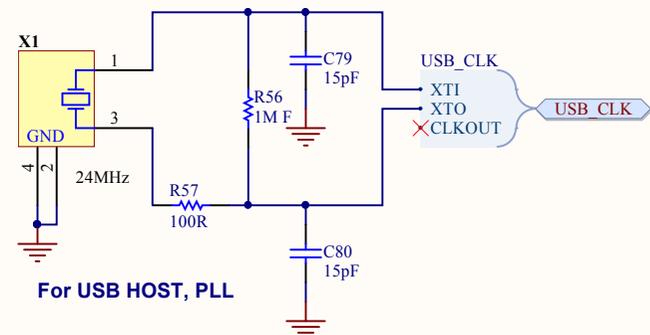
2

3

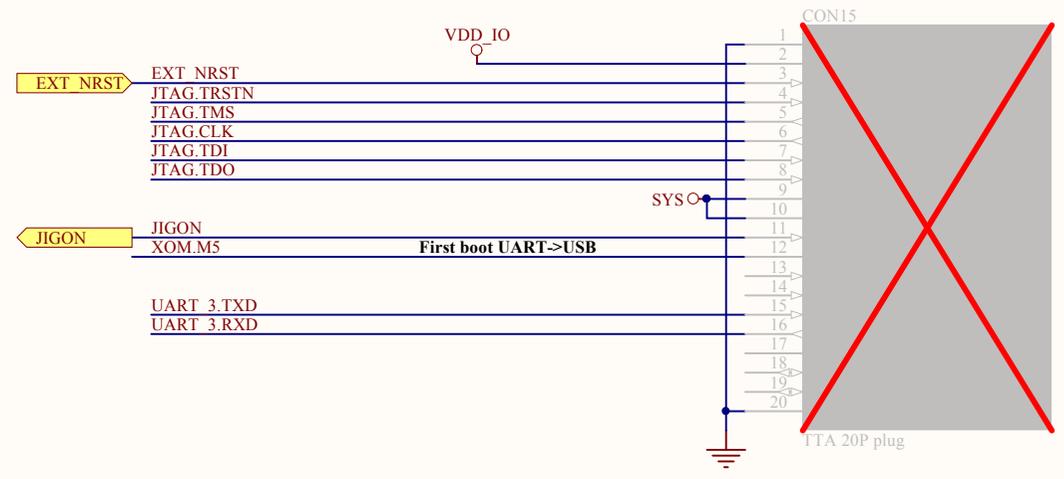
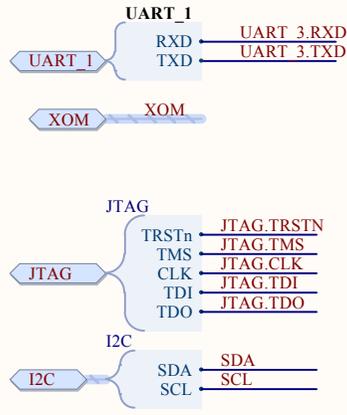
4



Title <b>DisplayPort Connector</b>			Hardkernel Co.,LTD. 704 Anyang K-center 1591-5 Burim, Dongangu, Anyang Kyeonggido South Korea	
Size: A4	Number:33.	Revision:0.2		
Date: 2014-10-27	Time: 오후 1:24:43	Sheet:33 of 44		
File: D:\hw\hkl\xu2\CON_DISPAYPORT.SchDoc				



Title <b>CLK</b>			R&D PART	<b>OSROID</b>
Size: A4	Number:34.	Revision:0.2	704 Anyang K-center 1591-9	
Date: 2014-10-27	Time: 오후 1:24:43 Sheet 34 of 44		Burim Dongan Gu	
File: D:\hw\hkl\xu2\CLK.SchDoc			Gyeongido South Korea	



Title <b>TTA20P Connector</b>			Hardkernel Co.,LTD. 704 Anyang K-center 1591-5 Burim, Dongangu, Anyang Kyeonggido South Korea	
Size: A4	Number:35.	Revision:0.2		
Date: 2014-10-27	Time: 오후 1:24:43	Sheet:35 of 44		
File: D:\hw\hkl\xu2\CON_TTA20.SchDoc				