

KEY FEATURES

- Power Module for PCB Mountable
- Smaller Dimension with High Efficiency
- 4:1 Wide Input Range
- Regulated Output
- Low Ripple and Noise
- Screw Terminal For Optional
- Remote ON/OFF Control (Optional)
- Operating Temperature: -40°C...+85°C (with derating)
- Small Size :1.0 x 1.0 x 0.433 Inches
- 3-Years Product Warranty



(9-36v 待採購評估市場後再決定要不要上)

ELECTRICAL SPECIFICATIONS

Model No.	SW30-24-3.3S	SW30-24-5S	SW30-24-12S	SW30-24-15S
Input Voltage (V.DC.)	12V (9-36V)	12V (9-36V)	12V (9-36V)	12V (9-36V)
Output Voltage (V.DC.)	3.3V / 6000mA	5V / 6000mA	12V / 2500mA	15V / 2000mA
Efficiency	87%	89%	89%	89%
Capacitor Load (max)	Pending	Pending	Pending	Pending

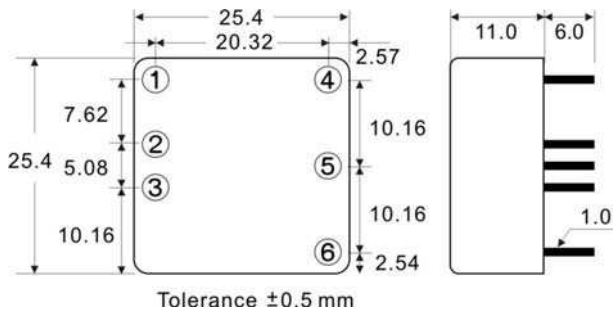
Model No.	SW30-48-3.3S	SW30-48-5S	SW30-48-12S	SW30-48-15S
Input Voltage (V.DC.)	12V (18-75V)	12V (18-75V)	12V (18-75V)	12V (18-75V)
Output Voltage (V.DC.)	3.3V / 6000mA	5V / 6000mA	12V / 2500mA	15V / 2000mA
Efficiency	88%	90%	90%	90%
Capacitor Load (max)	Pending	Pending	Pending	Pending

Model No.	(Single Output)	SW30-24-3.3S	SW30-24-5S	SW30-24-12S	SW30-24-15S
		SW30-48-3.3S	SW30-48-5S	SW30-48-12S	SW30-48-15S
Max Output Wattage (W)		19.8W	30W	30W	30W
Input	Input Filter	L-C type			
	Voltage (V.DC.)	3.3	5	12	15
Output	Voltage Accuracy	±2%			
	Current (mA) max	6000	6000	2500	2000
	Line Regulation (LL-HL) (typ.)	±0.5%			
	Load Regulation (10-100%) (typ.)	±1%			
	Ripple	100 mV max.		125mV max.	
	Noise	100 mV max.		125mV max.	
	Switching Frequency	450KHz		300KHz	
Protection	Over Power Protection	Auto-recovery			
	Over Voltage Protection	Zener diode clamp			
	Short Circuit Protection	Current limit, auto-recovery			
Isolation	Voltage	1600 VDC.			
	Resistance	10 ⁸ ohms			
Environment	Operating Temperature	-40°C...+85°C (with derating)			
	Storage Temperature	-55°C...+105°C			
	Temperature Coefficient	±0.02% Per°C			
	Humidity	95% RH			
	MTBF	>800,000 h @ 25°C (MIL-HDBK-217F)			
Physical	Dimension (L x W x H)	1.0 x 1.0 x 0.433 Inches (25.4 x 25.4 x 11.0 mm) Tolerance ±0.5 mm			
	Case Material	six-side shielded Aluminum with Non-Conductive base, Black Anodize			
	Weight	15g			
	Cooling Method	Free-air convection			
Remote ON/OFF	DC-DC ON	Open or +5 VDC ~ +15 VDC			
	DC-DC OFF	When -DC IN and ON/OFF CTL is Short (or 0 VDC ~ +0.5VDC)			
	Input Current of Remote Control Pin	1mA			
	Remote off State Input Current	4mA			

1.All specifications valid at normal input voltage, full load and +25°C after warm-up time unless otherwise stated.

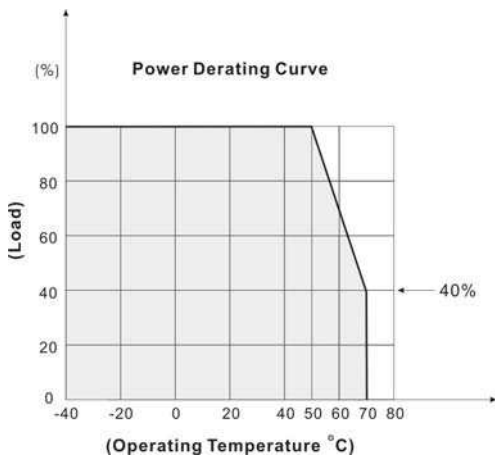
2.Ripple & Noise are measured at 20MHz of bandwidth with 0.1UF & 47UF parallel capacitor.

MECHANICAL DIMENSION (Top View)

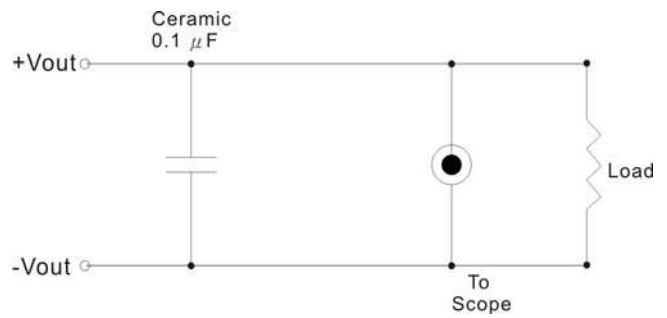


PIN#	Single
1	ON / OFF CTL
2	-DC IN
3	+DC IN
4	-DC OUT
5	NO PIN
6	+DC OUT

DERATING



OUTPUT NOISE



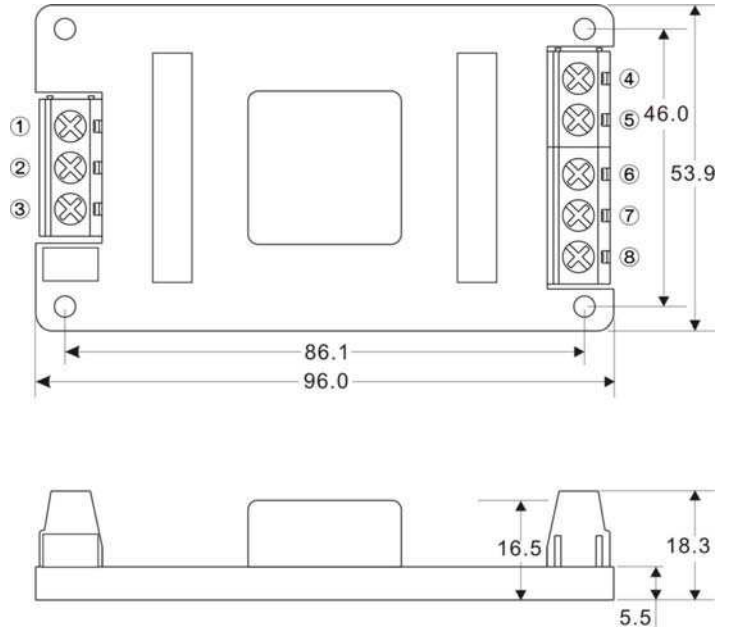
The output noise is measured with 0.1 μ F tantalum capacitor.

SCREW TERMINAL

SW30-A2



PIN#	Single
1	CTRL
2	-DC IN
3	+DC IN
4	-DC OUT
5	NO CONNECT
6	NO CONNECT
7	NO CONNECT
8	+DC OUT



SW30-A5



PIN#	Single
1	CTRL
2	-DC IN
3	+DC IN
4	-DC OUT
5	NO CONNECT
6	NO CONNECT
7	NO CONNECT
8	+DC OUT

