

KEY FEATURES

- Fully Isolated Plastic Case with IP65 Level
- Constant Current
- Universal Input: 90-264 VAC
- With P.F.C. Function, PF>0.93
- High Efficiency up to 86%
- Turn-on Delay < 250ms
- Protections: Over Load / Over Voltage / Short Circuit
Over Temperature(optional)
- High Reliability & Double Layered PCB
- Ultra Compact Size: 3.47 x 1.69 x 1.1 Inches
- 3-Years Product Warranty



ELECTRICAL SPECIFICATIONS

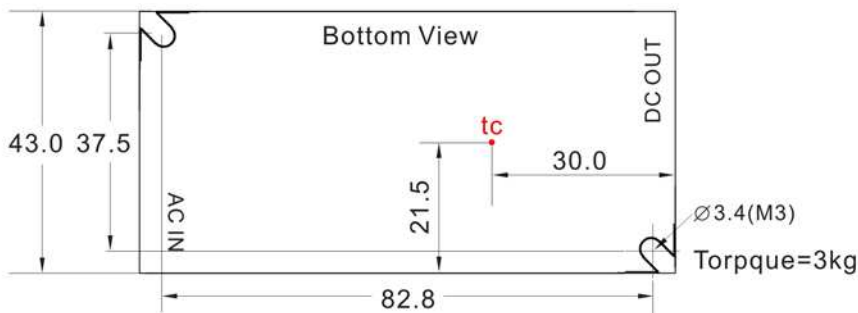
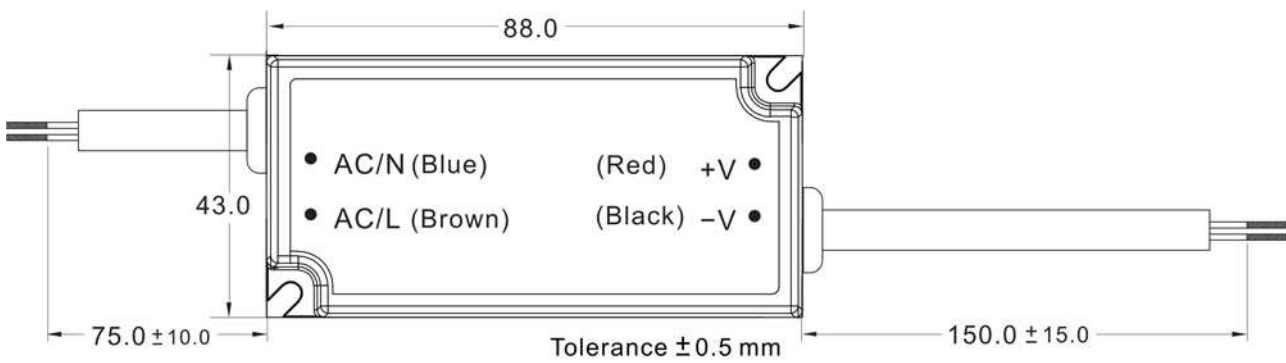
All specifications valid at normal input voltage, full load and +25°C after warm-up time unless otherwise stated.

| Model No. | PLF25-1400 | PLF25-1050 | PLF25-700 | PLF25-500 | PLF25-350 | |
|--------------------------|---|--|------------|------------|-----------|-------------|
| Max output wattage (W) | 25.2W | 25.2W | 25.2W | 25W | 20.3W | |
| Input | Voltage (Note1) | | | | | |
| | 90-264 VAC | | | | | |
| | Frequency (Hz) | | | | | |
| | 47~63 Hz | | | | | |
| | Power factor | | | | | |
| | PF>0.93 at full load (115/230 VAC) | | | | | |
| Output | Current (full load) | | | | | |
| | 0.6A max. (115 VAC) / 0.3A max. (230 VAC) | | | | | |
| | Inrush current | | | | | |
| | 40 A max. (Cold Start at 230 VAC) | | | | | |
| | Leakage current | | | | | |
| | <0.25mA | | | | | |
| Output | Voltage (V.DC.) (max) | 18V | 24V | 36V | 48V | 58V |
| | Operation Voltage (Note2) | 10.8~18VDC | 14.4~24VDC | 21.6~36VDC | 35~48VDC | 37.7~58 VDC |
| | Current (mA) | 1400 | 1050 | 700 | 500 | 350 |
| | Load Regulation (Min-Max) (typ.) | ±4% | | | | |
| | Ripple & Noise (max) (Note3) | 4Vp-p | | | | |
| | Current Regulation (at 230VAC) (Note4) | ±5% | | | | |
| | Efficiency (typ) (at 230VAC) | 85% | 86% | 86% | 86% | 86% |
| Protection | Over Temperature protection(optional) | Auto recovery | | | | |
| | Over voltage protection | Auto recovery | | | | |
| | Short circuit protection | Auto recovery | | | | |
| Isolation | Input-Output (V.AC) | 4000V | | | | |
| Environment | Operating temperature | -30°C...+70°C (with derating) | | | | |
| | Storage temperature | -40°C...+85°C | | | | |
| | Temperature coefficient | 0.1%/°C | | | | |
| | Humidity | 95% RH | | | | |
| | MTBF | >906,500 h @ 25°C (MIL-HDBK-217F) | | | | |
| Physical | Dimension (L x W x H) | 3.47 x 1.69 x 1.1 Inches (88.0 x 43.0 x 28.0 mm) Tolerance ±0.5 mm | | | | |
| | Weight | 150 g | | | | |
| | Cooling method | Free air convection | | | | |
| Safety & EMC | Safety Standards | EN61347 · EN61347-2-13 | | | | |
| | EMI (Conducted & Radiated Emission) | EN 55015 | | | | |
| | EMS (Noise Immunity) | EN 61547 | | | | |
| | Harmonic Current | EN 61000-3-2 Class C (at input>25W) · EN 61000-3-3 | | | | |

Note:

1. Please check the derating curve for more details.
2. This is the suitable operation region for LED related application.but please reconfirm special electrical requirements for some specific system design
3. Ripple & Noise are measured at 20MHz of bandwidth with 0.1uF & 47uF parallel capacitor.
4. (1) Current Regulation $< \pm 7.5\%$ (at 115VAC Input Voltage)
(2)Current Regulation $< \pm 10\%$ (at other Input Voltage)

MECHANICAL DIMENSION (Top View)



| PIN# | SINGLE |
|------|-----------|
| 1 | AC IN (N) |
| 2 | AC IN (L) |
| 3 | +DC OUT |
| 4 | -DC OUT |

DERATING

