

KEY FEATURES

- Enclosed Switching Power Supply
- Universal Input: 90-264 VAC
- With P.F.C. Function, PF>0.95
- Free Air Convection
- High Efficiency up to 93%
- RoHS Compliant Design
- Ultra Compact Size: 6.0 x 4.18 x 1.38 Inches
- 3-Years Product Warranty

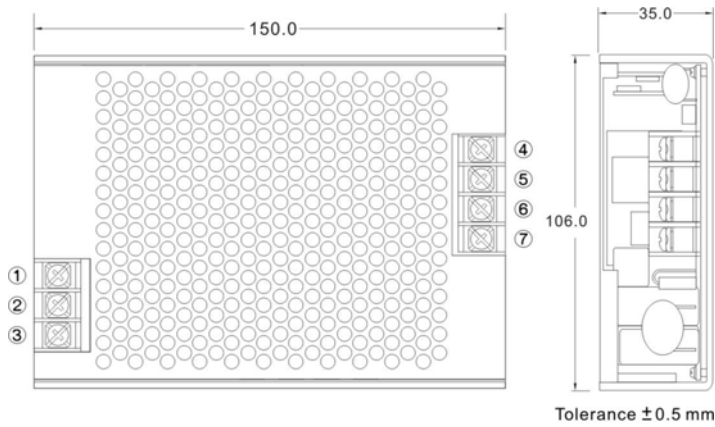


ELECTRICAL SPECIFICATIONS

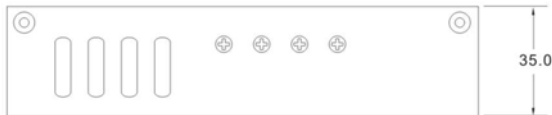
Model No.	AQF240E-12S	AQF240E-15S	AQF240E-24S	AQF240E-28S	AQF240E-36S	AQF240E-32S	AQF240E-48S	
Max Output Wattage (W)	200W	220W	240W					
Input	Voltage							90-264 VAC or 120-370 VDC
	Frequency (Hz)							47-63 Hz
	Current (Full load)							<3.0 A max. (115 VAC) / <1.5 A max. (230 VAC)
	Inrush Current (<2ms)							< 30 A max. (115 VAC) / < 60 A max. (230 VAC)
	Leakage Current							< 0.5 mA max.
	Power Factor							PF>0.98 (115 VAC) / PF>0.95 (230 VAC) at Full Load
Output	Voltage (V.DC.)							12V 15V 24V 28V 36V 32V 48V
	Voltage Accuracy							±2%
	Current (Convection) (A) max							16.66 14.66 10 8.57 6.66 7.5 5
	Line Regulation							±1%
	Load Regulation							±1%
	Minimum Load							1%
	Maximum Capacitive Load							470-23,000µF depending on model
	Ripple & Noise (max.)							120mVp-p 200mVp-p
	Efficiency (typ.)							90% 90% 92% 92% 92% 92% 93%
	Hold-up Time							20 ms min.
Protection	Over Power Protection							Auto recovery
	Over Voltage Protection							Latch Off
	Short Circuit Protection							Latch Off
Isolation	Input-Output (V.AC)							4000V
	Input-FG (V.AC)							2000V
	Output-FG (V.AC)							500V
Environment	Operating Temperature							-10°C...+70°C (with derating)
	Storage Temperature							-25°C...+85°C
	Temperature Coefficient							±0.03%/°C (0~50°C)
	Humidity							95% RH
	MTBF							>50,000 h @ 25°C (MIL-HDBK-217F)
	Vibration							10~500Hz, 2G 10min./1cycle, 60min. each along X, Y, Z axes.
Physical	Dimension (L x W x H)							6.0 x 4.18 x 1.38 Inches (150.0 x 106.0 x 35.0 mm) Tolerance ±0.5 mm
	Weight							610 g
	Cooling Method							Free convection
Safety	Agency Approvals							CE, UL60950, CB
EMC	EMI (Conducted & Radiated Emission)							EN 55022 class B
	EMS (Noise Immunity)							EN 55024

1.All specifications valid at normal input voltage, full load and +25°C after warm-up time unless otherwise stated.

2.Ripple & Noise are measured at 20MHz of bandwidth with 0.1UF & 47UF parallel capacitor.

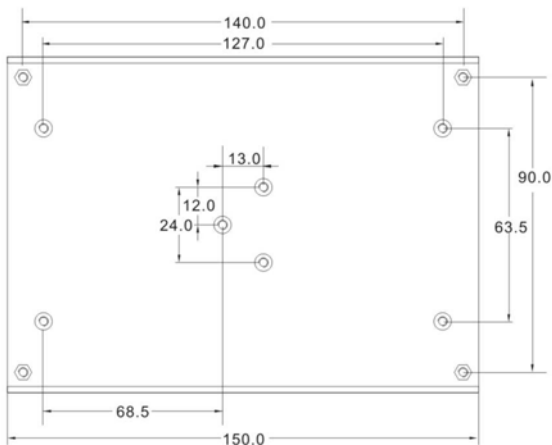
MECHANICAL DIMENSION (Top View)


PIN#	Single
1	AC IN (L)
2	AC IN (N)
3	FG
4	+DC OUT
5	+DC OUT
6	-DC OUT
7	-DC OUT

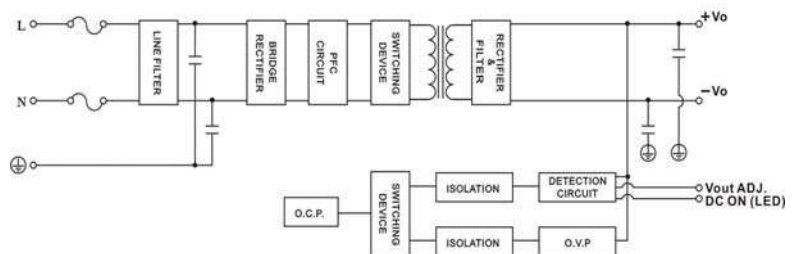
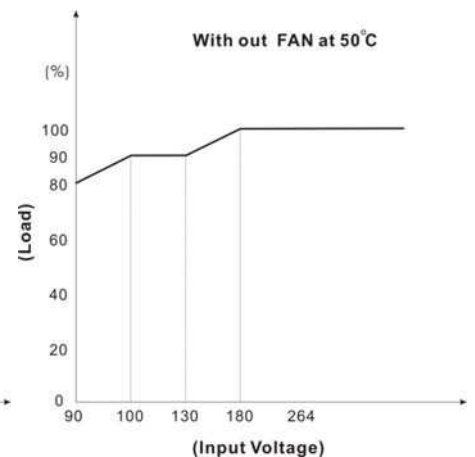
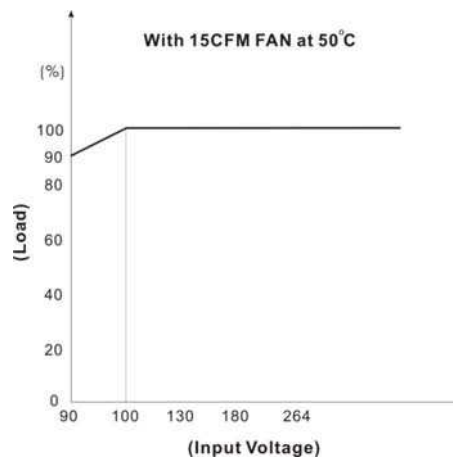
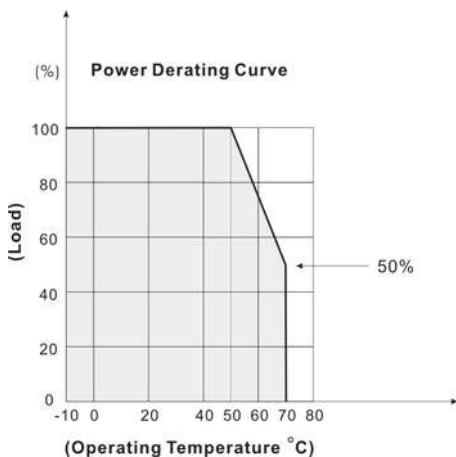

ASSEMBLY INSTRUCTIONS

*U Case T=2.0mm

Customer screws into the length of the case no higher than 0.5mm
(Namely screw length for load plate thickness plus 2.5mm)

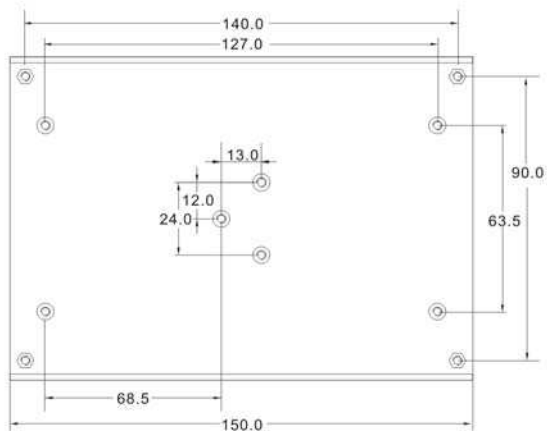
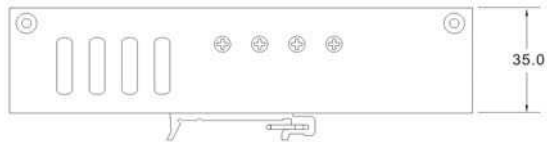
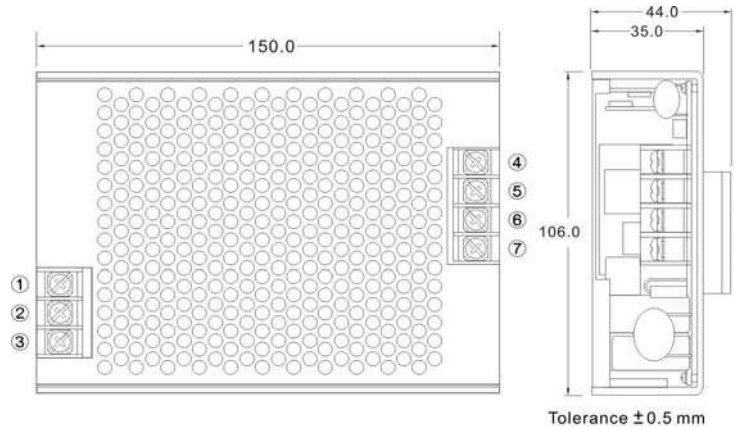

BLOCK DIAGRAM

Single Output


DERATING


Din Rail Kit

AQF240E-DRK



PIN#	Single
1	AC IN (L)
2	AC IN (N)
3	FG
4	+DC OUT
5	+DC OUT
6	-DC OUT
7	-DC OUT