

USB 2Ax1B/4Ax1B

Signal Switch

User Manual

Ver. 1.00

Contents:

Chapter 1: Introduction	3
1.1 Product Introduction	3
1.2 Features	3
1.3 System Requirements	4
1.4 Package Contents	5
Chapter 2: Getting Started	5
2.1 Hardware Layout	6
2.2 Hardware Installation	9

Chapter 1: Introduction

1.1 Product Introduction

The USB 2Ax1B/4Ax1B Signal Switch that enables one computer to share the use of 2/4 USB peripheral device (such as printer, scanner, mass storage drive, etc.) one-at-a-time basis.

1.2 Features

- Enables single computer to share the use of 2 or 4 USB peripheral device

- Simple port selection via pushbuttons
- USB 2.0 compliant
- Supports transfer rates up to 480Mbps
- Multiplatform support – Windows and Mac
- Bus-powered
- Hot pluggable
- Supports multifunction printers

1.3 System Requirements

Computer

- USB Host Controller

Cables

- USB to USB cables to connect the computers to the peripheral device

1.4 Package Contents

- 1 x USB 2Ax1B/4Ax1B Signal Switch
- 1 x User Manual

Chapter 2: Getting Started

2.1 Hardware Layout

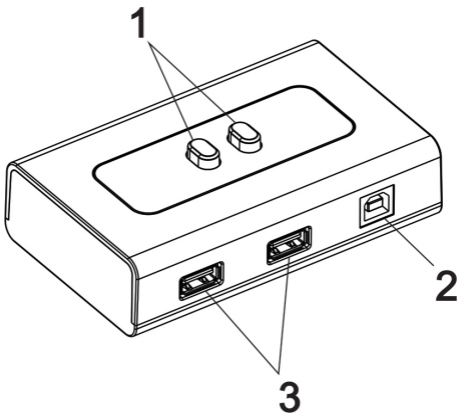


Figure 1: USB 2Ax1B Signal Switch

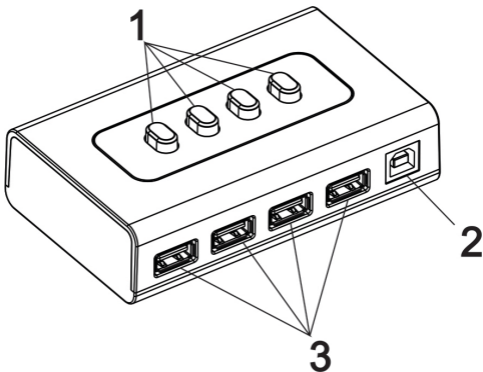


Figure 2: USB 4Ax1B Signal Switch

No.	Component	Description
1	Port Selection Pushbuttons	Pressing a Port Selection Pushbutton brings control to the USB device attached to its corresponding port.
2	USB Type B Computer Port	Your computer plug into this port
3	USB Type A Peripheral Port	Your USB 2.0 peripheral devices plugs into these ports

2.2 Hardware Installation

The USB 2Ax1B/4Ax1B Signal Switch provides one USB Type B port for computer to connect to, and 2/4 USB Type A port for the peripheral device (multifunction printer, scanner, mass storage device, etc.) that the computer will share.

To install the USB 2Ax1B/4Ax1B Signal Switch, do the following:

1. Use your USB device's USB cable to connect it to any available USB Type A port on the USB 2Ax1B/4Ax1B Signal Switch's USB Type A port.

2. Repeat step 1 for any other USB device.
3. Plug the USB Type B connector of the USB Type A to USB Type B cable into the USB 2Ax1B/4Ax1B Signal Switch.
4. Plug the Type A connector into the computer's USB host port.