

M-530 Bluetooth Stereo Speaker

User Manual

Ver. 1.00

**All brand names and trademarks are properties of their
respective owners.**

Contents:

Chapter 1: Introduction	3
1.1 Product Introduction	3
1.2 Features.....	3
1.3 Package Contents.....	3
1.4 Hardware Description.....	4
Chapter 2: Getting Started	7
2.1 Charging the speaker	7
2.2 Power up.....	7
2.3 Get connected via Bluetooth.....	7
2.4 Plug & Play Non BT Device with Aux cable	9

Chapter 1: Introduction

1.1 Product Introduction

The Bluetooth speaker applies the latest Bluetooth wireless technology that enables you to enjoy wireless music and audio wherever you want.

1.2 Features

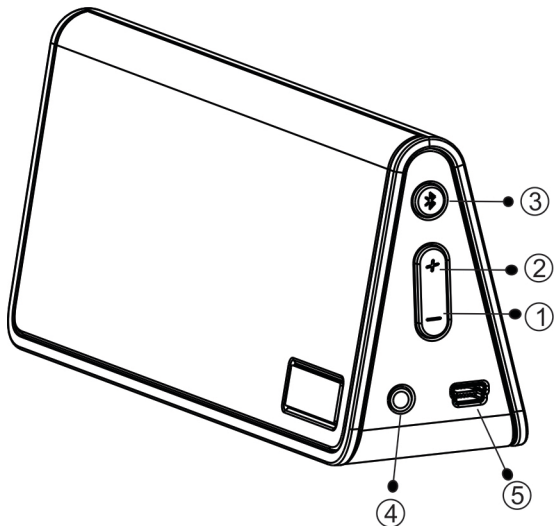
- Wireless Bluetooth link eliminates the need to dock or physically connect your Bluetooth device
- Easy to connect – pair once and then connect instantly every time

1.3 Package Contents

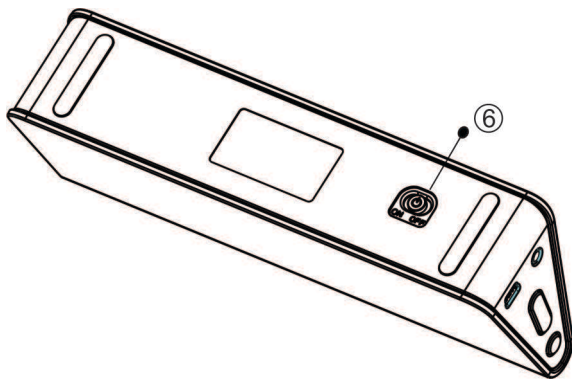
- 1 x M-530 Bluetooth Stereo Speaker
- 1 x User Manual
- 1 x 3.5 mm stereo audio cable
- 1 x USB charging cable
- 1 x Power adapter (optional)

Note: Contents may vary depending on country/market.

1.4 Hardware Description



1. **Volume -**
2. **Volume +**
3. **Bluetooth Pair Button/LED**
4. **Line-In**
5. **DC Power Input**



6. Power switch

Function	Operation	LED Indicator
Charging the Speaker	Connect the speaker to PC or Power Adapter	Red LED will stay on
Waiting for pairing	Turn on the power switch from “Off” to “On”	Green LED will slow flash
Enter pairing mode	Press and hold “Power/Function” button for approximately 3 seconds	Green LED will fast flash
Successfully paired		Green LED will stay on

Chapter 2: Getting Started

2.1 Charging the speaker

1. Make sure the speaker is fully charged before initial use.
2. Connect the speaker via the power input port to your PC or 5V power adapter using USB charging cable.
3. The LED will illuminate in red while charging and will turn off once fully charged.

2.2 Power up

1. Once the speaker is fully charged, locate the power switch.
2. Slide switch to “ON” position to power on. LED lights and sound should further indicate that the speaker is on.
3. To power off, slide switch to “OFF” position.

2.3 Get connected via Bluetooth

1. Turn the power switch on the bottom of Speaker, the prompt tone will appear “It is ready, waiting for device pairing”. The LED will show flash once every 1 second.
2. Press and hold the Bluetooth pair button of the Bluetooth Speaker

for approximately 2-3 seconds and do not release it. The LED will changes from slow flash to fast flash.

3. Go to the Bluetooth Manager of your Bluetooth device and then select the Bluetooth Speaker from the list.
4. Enter “0000” if a password is required.
5. When the Bluetooth connection is made, the Green LED will keep on.
6. Once connected, select your music or videos and see your sound instantly amplified with Bluetooth Speaker.

Note: Once paired successfully, both the Speaker and your Bluetooth device will store each other. Next time when you use the same device to play music by the same Speaker, there is no need to re-pair and use password.

7. Adjust the volume by press or hold the Volume +/- buttons on the Speaker.

Note: If the Bluetooth Speaker does not have an active Bluetooth connection and is left on, it will enter power saving mode after 3 minutes and LED will goes off. Press the Bluetooth pair button once to wake the speaker, a tone will be generated and LED lit green.

2.4 Plug & Play Non BT Device with Aux cable

1. Connect the speaker with any audio device directly by using supplied 3.5mm cable.
2. Connect one end of the 3.5mm cable to the Line-In port on the Bluetooth Speaker and the other end of the cable to the 3.5' mm audio output port on your music player.

This device complies with Part 15 of the FCC Rules.

Operation is subject to the following two conditions:

- (1) this device may not cause harmful interference, and
- (2) this device must accept any interference received, including interference that may cause undesired operation.

Note: This equipment has been tested and found to comply with the limits for a Class B digital device, pursuant to Part 15 of the FCC Rules. These limits are designed to provide reasonable protection against harmful interference in a residential installation. This equipment generates, uses and can radiate radio frequency energy and, if not installed and used in accordance with the instructions, may cause harmful interference to radio communications.

However, there is no guarantee that interference will not occur in a particular installation. If this equipment does cause harmful interference to radio or television reception, which can be determined by turning the equipment off and on, the user is encouraged to try to correct the interference by one or more of the following measures:

Reorient or relocate the receiving antenna.

Increase the separation between the equipment and receiver.

Connect the equipment into an outlet on a circuit different from that to which the receiver is connected.

Consult the dealer or an experienced radio/TV technician for help.

Warning: Changes or modifications to this unit not expressly approved by the part responsible for compliance could void the user's authority to operate the equipment.