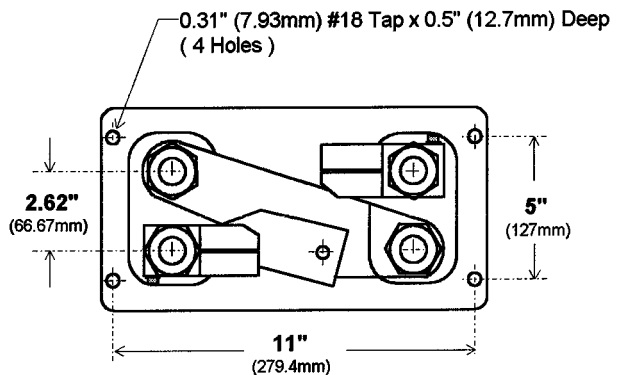
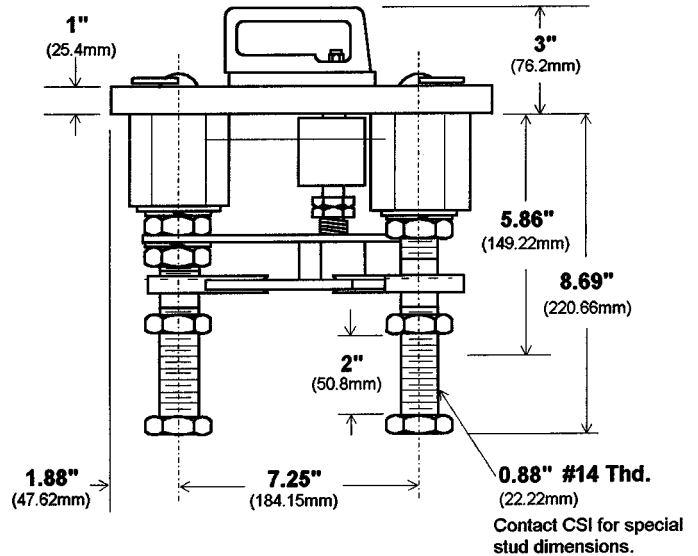
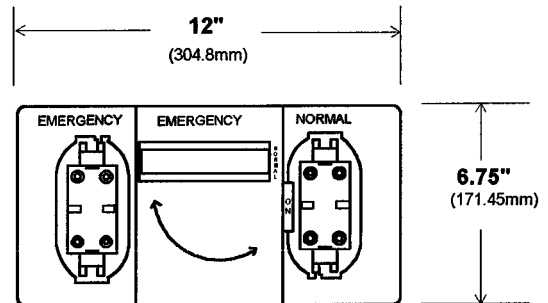
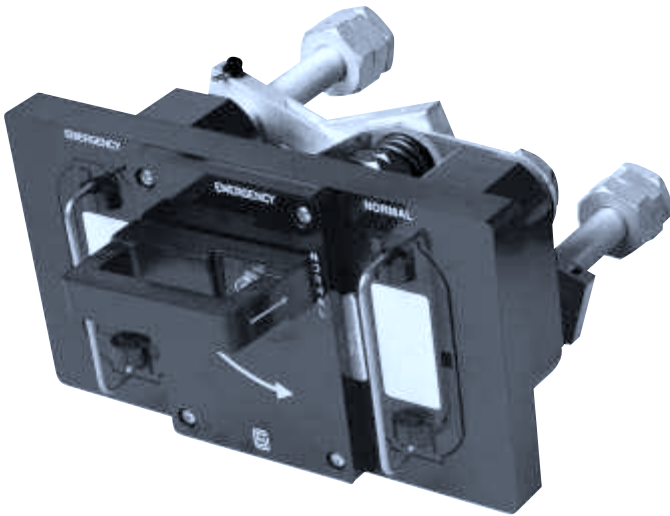




**TYPE: TPL-62-6001-00 – 145 Vdc, 70-600 Amps / 60 Vdc, 800 Amps**

- Two TPL 61-6001 mounted on a common insulating base
- With related bus and switching mechanism



## Switch Characteristics

**Current Rating:** 70-600 Amps / 800 Amps

**Voltage Rating:** 145 Volts DC / 60 Volts DC

**Switching:** 1000 cycles @ 100% rated current  
50 cycles @ 150% rated current  
5 cycles @ 600% rated current

**UL Withstand Rating:** 100,000 Amps

## Agency Approvals

UL Recognized, File E122674

## Fuses

For use with Littelfuse® Type L17T  
or Telpower® Type TPL fuses

*Please contact us for additional connection options.*